



atac

ATAC Solutions Ltd is a leading environmental engineering company based in Maidstone, United Kingdom.

ATAC Solutions is known for its state-of-the-art liquid collection fleet and its expertise in providing bespoke turnkey wastewater process solutions.

With a focus on sustainability and accreditation in ISO 9001 & ISO 14001, the company serves domestic and industrial clients across the South-East and London.

ATAC Solutions Ltd,
Unit A9, Loc 8 Business Park, Ashford Road,
Hollingbourne, Maidstone, England, ME17 1WR

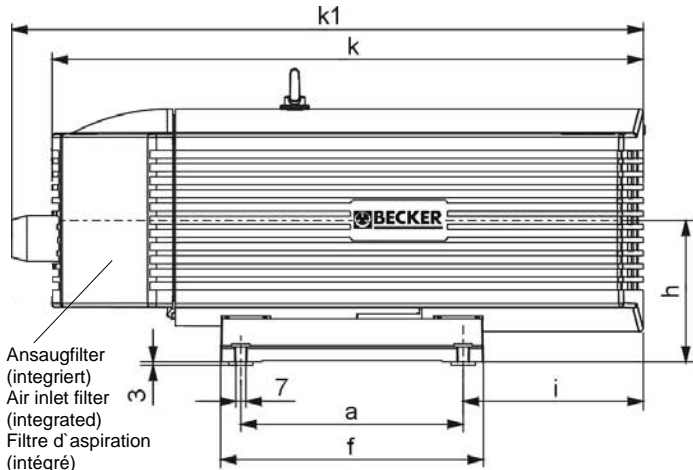
 [atacsolutions.com](https://www.atacsolutions.com)
 01622 882400

Axiom Water companies

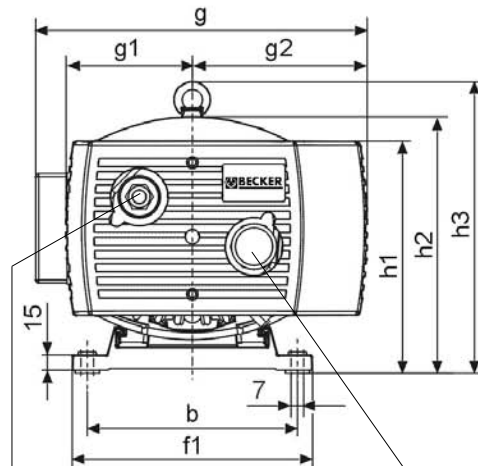
Drehschieber-Verdichter, trockenlaufend, luftgekühlt
Rotary vane compressors, oil-free working, air-cooled
Compresseur à palettes, fonctionnant à sec, refroidis par air
Compressori a palette, funzionanti a secco, raffreddati ad aria

DT 4.10
DT 4.16
DT 4.25K
DT 4.40K



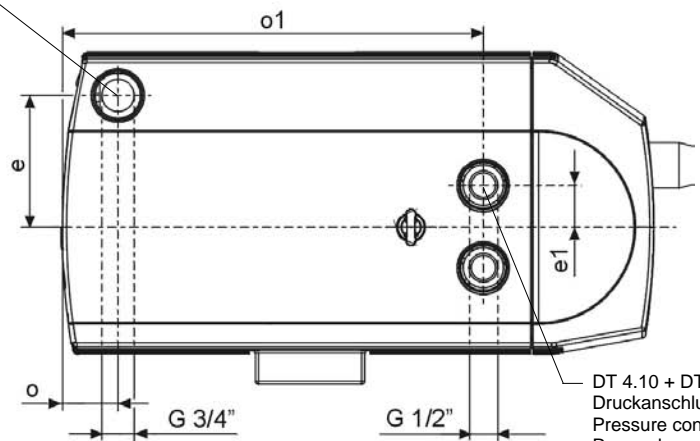
Ansaugfilter
(integriert)
Air inlet filter
(integrated)
Filtre d'aspiration
(intégré)
Filtro aspirazione
(integrato)

DT 4.25K + DT 4.40K:
Druckanschluss / Pressure connection / Raccord pression / Raccordo pressione



Ansaugdüse / Air nozzle
Buse d'aspiration / Ugello di aspirazione

Druckregulierventil / Pressure regulating valve
Vanne de réglage pression / Valvola regolazione pressione

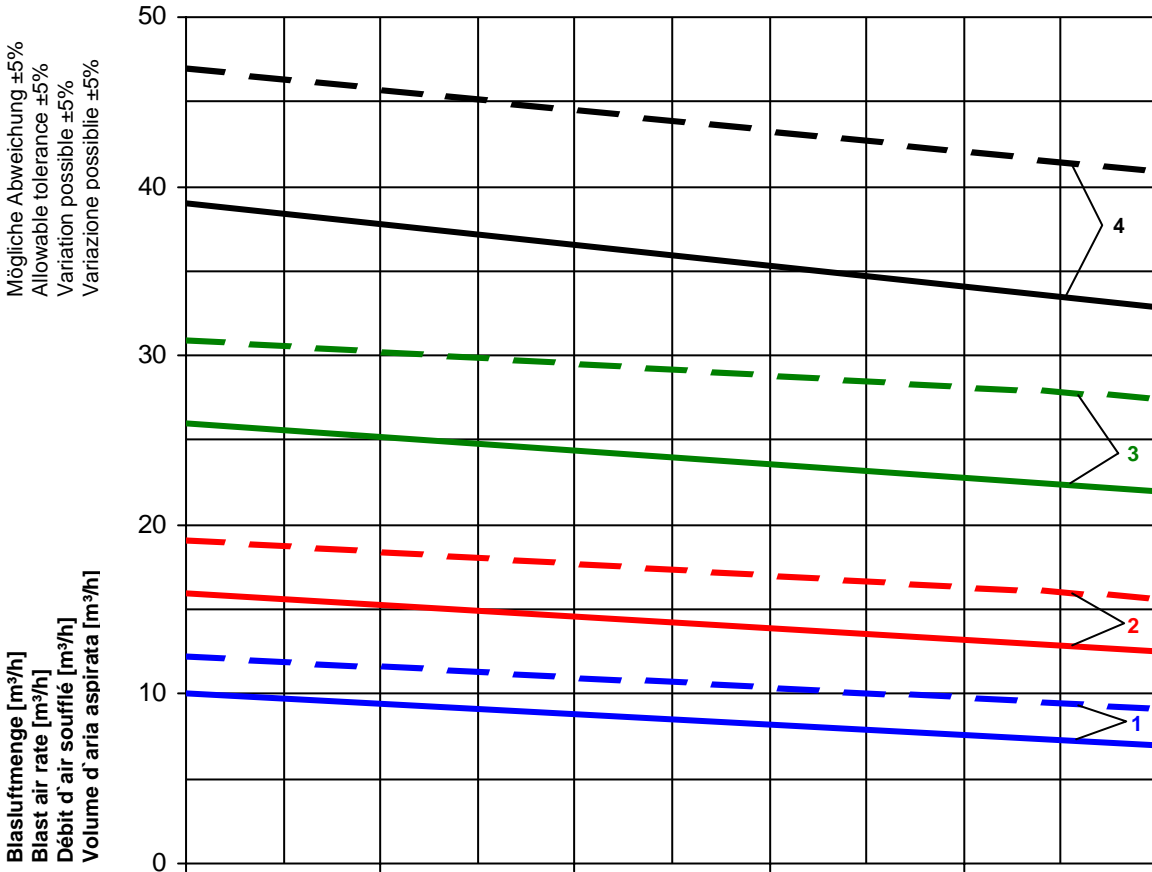
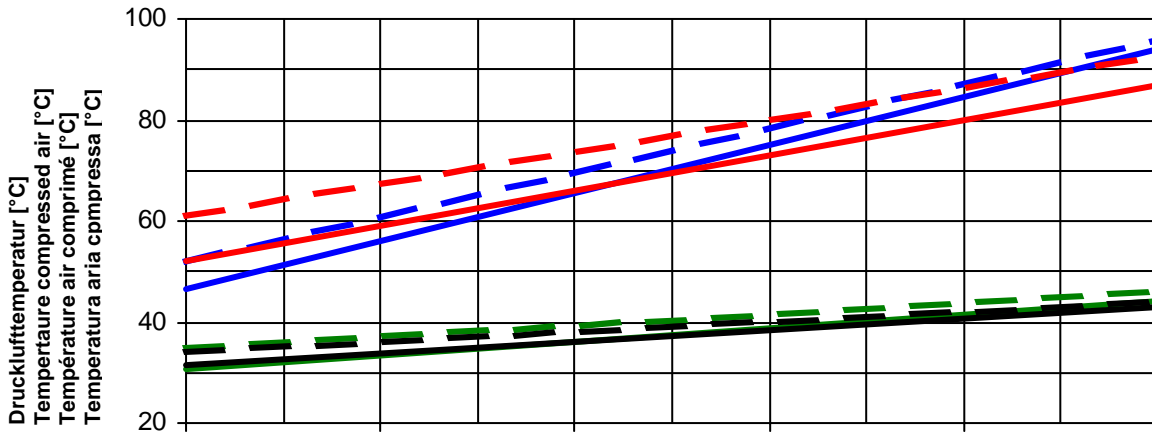


DT 4.10 + DT 4.16:
Druckanschluss
Pressure connection
Raccord pression
Raccordo pressione

Typ Type Tipo	Blasluftmenge Blast air rate Débit d'air soufflé Volume d'aria soffiata		Überdruck Pressure Pression Pressione	Installierte Motorleistung Motor capacity installed Puissance du moteur installé Potenza del motore installato				Drehzahl [U/min] Speed [RPM] Vitesse de rotation [T/min] Velocità di rotazione [G/min]				Schallpegel Noise level Niveau sonore Livello rumorosità (DIN 45635-1) [dB (A)]		Gewicht Weight Poids Peso					
	[m³/h max.]			[bar max.]		3~ [kW]		1~ [kW]											
	50 Hz	60 Hz		50 Hz	60 Hz	50 Hz	60 Hz	50 Hz	60 Hz	50 Hz	60 Hz	50 Hz	60 Hz						
DT 4.10	10	12	1,0	0,37	0,45	0,37	0,45	1420	1700	60	62	16,0							
DT 4.16	16	19	1,0	0,55	0,70	0,55	0,75	1420	1700	62	64	23,5							
DT 4.25K	25	30	1,0	1,10	1,30	1,10	1,30	1420	1700	65	68	36,5							
DT 4.40K	40	48	1,0	1,85	2,20	1,85	2,20	1420	1700	67	70	46,0							
Spannung / Voltage Voltage / Voltaggio		3~ (0,37 – 0,70 kW) = 175-260 / 300-450 V 50 Hz + 202-300 / 350-520 V 60 Hz ; 1~ (0,37 – 0,75 kW) = 230 V ±10 % 50 / 60 Hz																	
		3~ (1,10 – 2,20 kW) = 190-255 / 330-440 V 50 Hz + 190-290 / 330-500 V 60 Hz ; 1~ (1,10 – 2,20 kW) = 230 V ±10 % 50 / 60 Hz																	
	a	b	e	e1	f	f1	g	g1	g2	h	h1	h2	h3	i	k	k1	o	q	q1
DT 4.10	160	112	-	35	200	142	206	90	90	107	176	189	195	106	387	429	-	123	134
DT 4.16	202	125	-	35	242	155	231	102,5	102,5	113	186	205	211	73	416	452	-	151,5	140
DT 4.25K	220	190	130	-	260	238	328	125	173	140	227	253	290	130	505	545	54,8	178	-
DT 4.40K	220	208	130	-	260	238	328	125	173	140	227	253	290	178	585	625	54,8	245	-

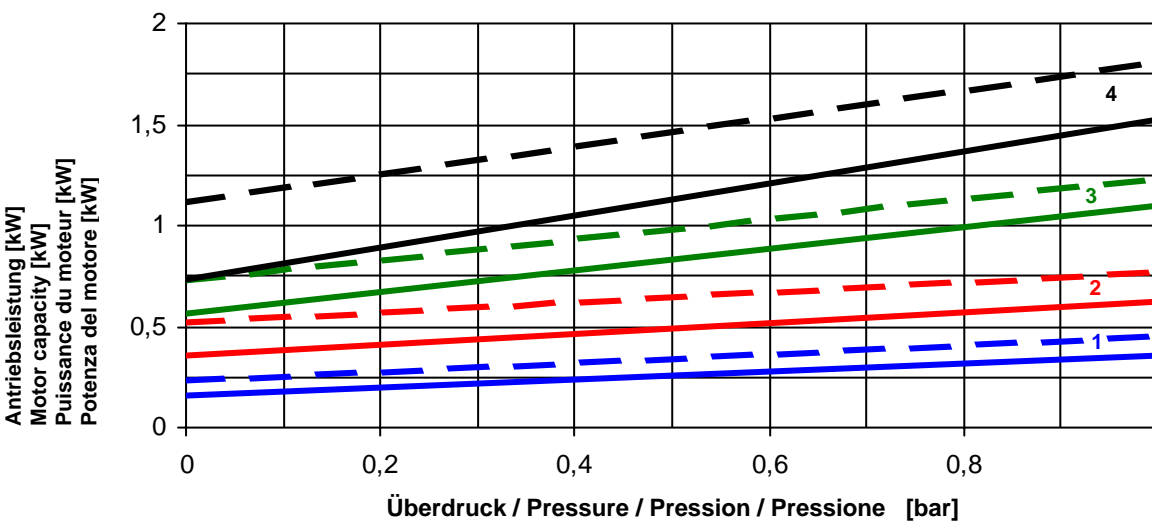
Maßangaben in mm / Measures in mm / Mesures en mm / Misure in mm

Änderungen vorbehalten / Right of modification reserved / Sous réserve des modifications / Sotto riserva di modificazioni



(1) DT 4.10
 (2) DT 4.16
 (3) DT 4.25K
 (4) DT 4.40K

— 50 Hz
 - - - 60 Hz



Bezugsdaten: Atmosphäre / Référence: Atmosphere /
 Référence: Atmosphere / Riferimento: Atmosfera 1000 mbar 20°C