



# atac

ATAC Solutions Ltd is a leading environmental engineering company based in Maidstone, United Kingdom.

ATAC Solutions is known for its state-of-the-art liquid collection fleet and its expertise in providing bespoke turnkey wastewater process solutions.

With a focus on sustainability and accreditation in ISO 9001 & ISO 14001, the company serves domestic and industrial clients across the South-East and London.

ATAC Solutions Ltd,  
Unit A9, Loc 8 Business Park, Ashford Road,  
Hollingbourne, Maidstone, England, ME17 1WR

 [atacsolutions.com](https://www.atacsolutions.com)  
 01622 882400

Axiom Water companies



# DOMESTIC PUMPS SETS WITH ACTIVE DRIVER

## BENEFITS DURING USE

Constant pressure – Low noise operation – Low running costs – Reduced water consumption – More compact (no need for expansion vessels) – Reduced maintenance – Protected against dry run conditions

## GENERAL DATA

Pump sets equipped with Active Driver are designed and built to meet the constant pressure requirements imposed by modern water distribution system technology. Constant pressure control is used in an increasing number of applications in the most diverse range of sectors: Water pipelines - Irrigation - Industry - Hotels - Residential building - Spa centres. The basic principles that guided our engineers in developing these pump sets were simplicity, flexibility and reliability.

## SHORT INTRODUCTION TO ACTIVE DRIVER

The Active Driver module is a comprehensive device that includes water pipeline connections, a pressure sensor, a flow sensor, and an electronic inverter. When applied to the discharge line of each electric pump, Active Driver controls the speed of the pump to which it is connected in such a way as to ensure constant pressure irrespective of variations in the water flow rate demand. The water that flows through Active Driver's connections also helps to dissipate the heat produced by the internal electronic components.

## OPERATION

As soon as the system pressure drops due to a water demand, just one pump will run in order to meet the flow rate demanded. Starting of the second and third pump occurs in a cascade sequence once the first pump has reached its maximum rotation speed. Pump pressure can be user adjusted by means of the Active Driver + and – keys (usually all pumps are set to the same pressure value).

The pumps are stopped automatically in the following situations:

- pump current surge
- dry running
- low power supply voltage
- surpassing of an adjustable pressure set-point value
- overheating of Active Driver electronics.

Sets with two pumps and with three pumps equipped with Active Driver are supplied complete with a protection control unit containing thermal magnetic cut-outs and the power line input terminals.

## FUNCTIONS DISPLAYED ON ACTIVE DRIVER

- Pump operating frequency (Hz)
- Instantaneous pressure (bar)
- Pump current draw (ampere)
- Operating alarms

Active Driver EXTERNAL CONNECTIONS (models M/T 2.2 - T/T 3.0 - T/T 5.5 only)

Inputs: pump disable, pressure switch / float switch to protect against dry running, second pressure Set point.

Outputs: two voltage-free contacts for alarm / stop signalling, pump running.



2 PULSAR DRY AD



2 JET AD - 2 EURO AD



2 KVC AD

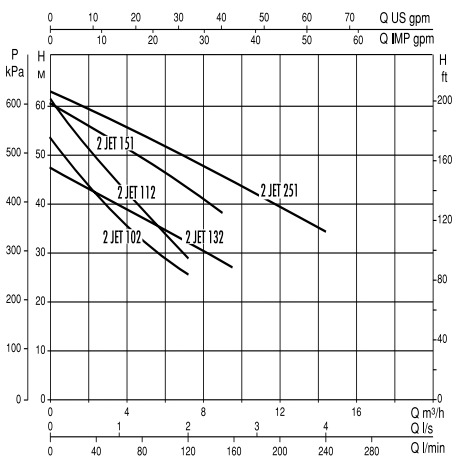


# DOMESTIC PUMPS SETS WITH ACTIVE DRIVER

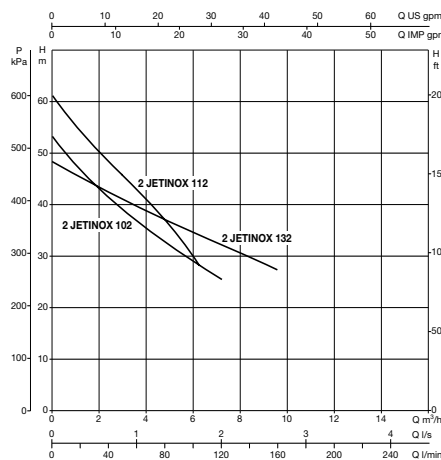
## TECHNICAL DATA - 2 JET AD / 2 JETINOX AD

MODEL	CODE	ELECTRICAL DATA			
		VOLTAGE 50 Hz	P2 NOMINAL		In A x 2
			kW X 2	HP X 2	
2JET AD 102 M	500140020	1 X 230 V ~	0,75	1	3,3
2JET AD 112 M	500140030	1 X 230 V ~	1	1,36	4,3
2JET AD 132 M	500140040	1 X 230 V ~	1	1,36	4,7
2JET AD 151 M	500140070	1 X 230 V ~	1,1	1,5	5,2
2JET AD 251 M	500140090	1 X 230 V ~	1,85	2,5	6,9
2JETINOX AD 102 M	500140120	1 X 230 V ~	0,75	1	3,3
2JETINOX AD 112 M	500140130	1 X 230 V ~	1	1,36	4,3
2JETINOX AD 132 M	500140140	1 X 230 V ~	1	1,36	4,7

### 2 JET AD

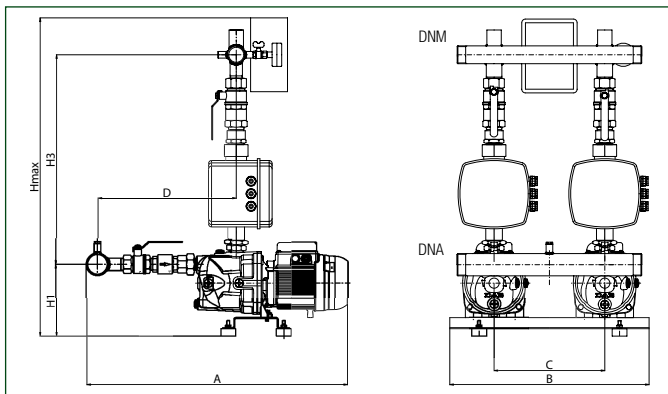


### 2 JETINOX AD

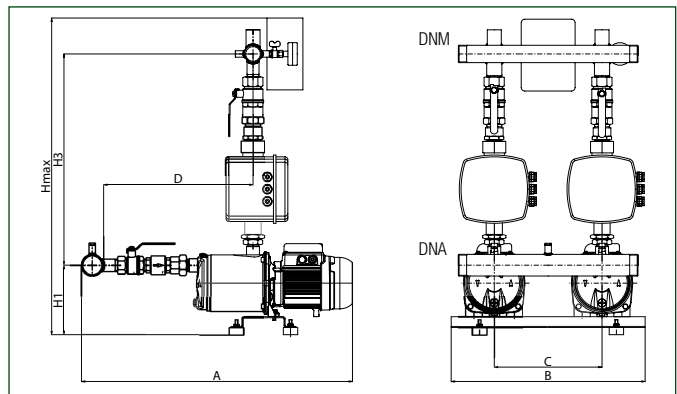


## DIMENSIONS AND WEIGHTS - 2 JET AD / 2 JETINOX AD

### 2 JET AD



### 2 JETINOX AD



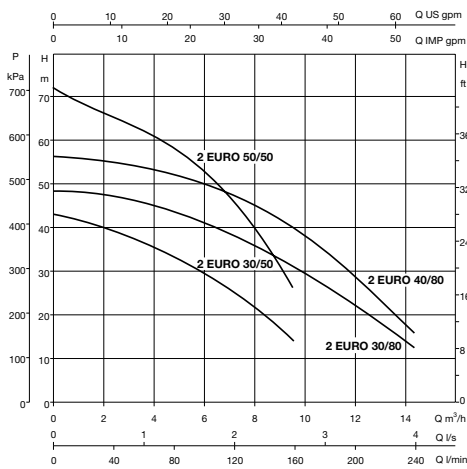
MODEL	A	B	C	D	H max	H1	H3	DNA	DNM	PACKAGING DIMENSIONS			WEIGHT Kg
										L/A	L/B	H	
2JET AD 102 M	706	540	300	374	862	193	569	2"	1 1/2"	850	610	1000	56
2JET AD 112 M	706	540	300	374	862	193	569	2"	1 1/2"	850	610	1000	56
2JET AD 132 M	706	540	300	374	862	193	569	2"	1 1/2"	850	610	1000	56
2JET AD 151 M	706	540	300	374	862	193	569	2"	1 1/2"	850	610	1000	96
2JET AD 251 M	706	540	300	374	862	193	569	2"	1 1/2"	850	610	1000	105
2JETINOX AD 102 M	755	540	300	416	882	193	588	2"	1 1/2"	850	610	1000	56
2JETINOX AD 112 M	755	540	300	416	882	193	588	2"	1 1/2"	850	610	1000	56
2JETINOX AD 132 M	755	540	300	416	882	193	588	2"	1 1/2"	850	610	1000	56

# DOMESTIC PUMPS SETS WITH ACTIVE DRIVER

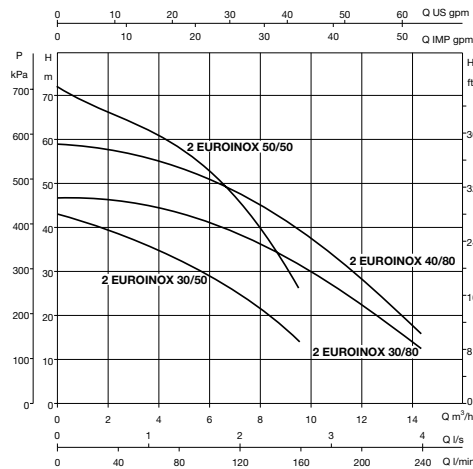
## TECHNICAL DATA - 2 EURO AD / 2 EUROINOX AD

MODEL	CODE	ELECTRICAL DATA			
		VOLTAGE 50 Hz	P2 NOMINAL		In A
			kW X 2	HP X 2	
2EURO AD 30/50 M	500140250	1 X 230 V ~	0,55	0,75	2,8
2EURO AD 50/50 M	500140260	1 X 230 V ~	1	1,36	4,4
2EURO AD 30/80 M	500140270	1 X 230 V ~	0,8	1,1	3,8
2EURO AD 40/80 M	500140280	1 X 230 V ~	1	1,36	4,4
2EUROINOX AD 30/50 M	500140350	1 X 230 V ~	0,55	0,75	2,8
2EUROINOX AD 50/50 M	500140360	1 X 230 V ~	1	1,36	4,4
2EUROINOX AD 30/80 M	500140370	1 X 230 V ~	0,8	1,1	3,8
2EUROINOX AD 40/80 M	500140380	1 X 230 V ~	1	1,36	4,4

### 2 EURO AD

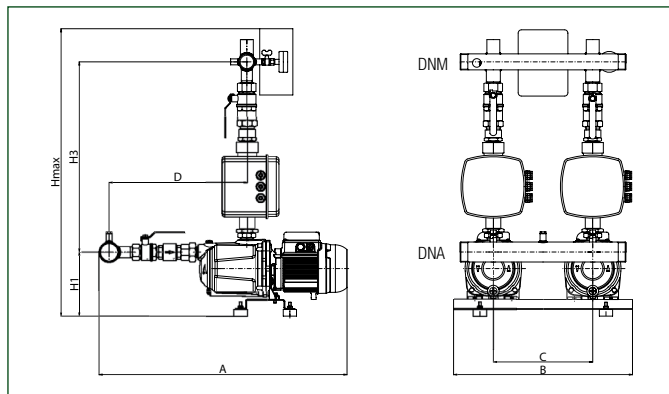


### 2 EUROINOX AD

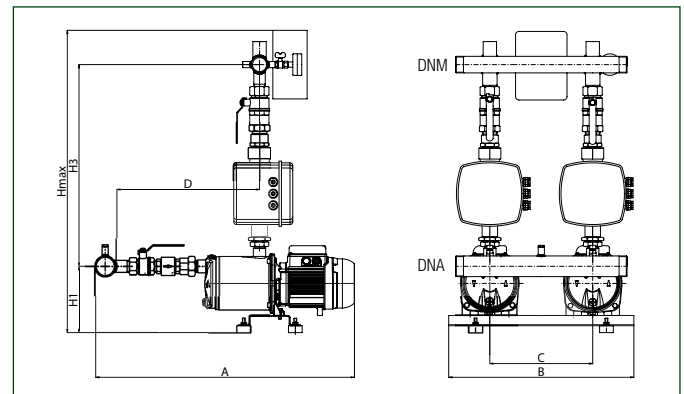


## DIMENSIONS AND WEIGHTS - 2 EURO AD / 2 EUROINOX AD

### 2 EURO AD



### 2 EUROINOX AD



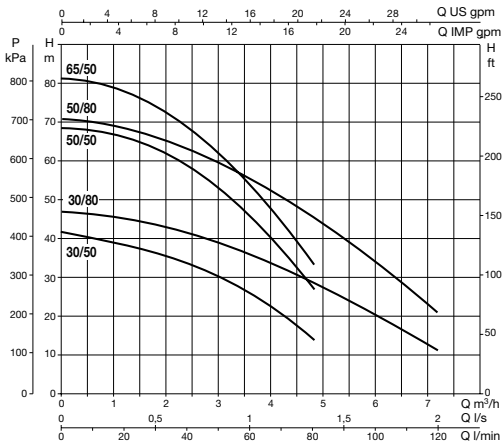
MODEL	A	B	C	D	H max	H1	H3	DNA	DNM	PACKAGING DIMENSIONS			WEIGHT Kg
										L/A	L/B	H	
2EURO AD 30/50 M	748	540	300	416	867	194	574	2"	1 1/2"	850	610	1000	57
2EURO AD 50/50 M	748	540	300	416	867	194	574	2"	1 1/2"	850	610	1000	57
2EURO AD 30/80 M	748	540	300	416	867	194	574	2"	1 1/2"	850	610	1000	57
2EURO AD 40/80 M	748	540	300	416	867	194	574	2"	1 1/2"	850	610	1000	57
2EUROINOX AD 30/50 M	755	540	300	416	882	193	588	2"	1 1/2"	850	610	1000	57
2EUROINOX AD 50/50 M	755	540	300	416	882	193	588	2"	1 1/2"	850	610	1000	57
2EUROINOX AD 30/80 M	755	540	300	416	882	193	588	2"	1 1/2"	850	610	1000	57
2EUROINOX AD 40/80 M	755	540	300	416	882	193	588	2"	1 1/2"	850	610	1000	57

# DOMESTIC PUMPS SETS WITH ACTIVE DRIVER

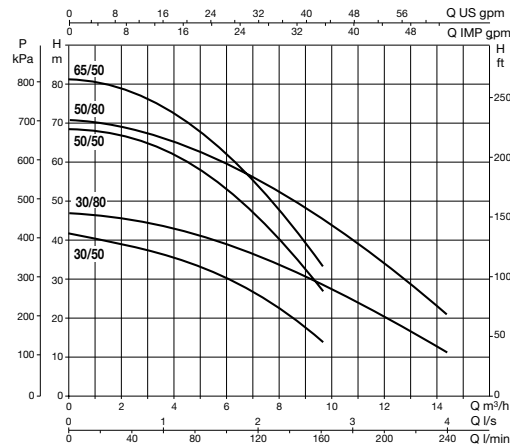
## TECHNICAL DATA - 1/2 PULSAR DRY AD

MODEL	CODE	ELECTRICAL DATA			
		VOLTAGE 50 Hz	P2 NOMINAL		In A
			kW	HP	
1PULSAR DRY AD 30/50 M	500140500	1 X 230 V ~	0,55	0,75	2,8
1PULSAR DRY AD 50/50 M	500140510	1 X 230 V ~	1	1,36	4,1
1PULSAR DRY AD 65/50 M	500140520	1 X 230 V ~	1,2	1,6	5
1PULSAR DRY AD 30/80 M	500140530	1 X 230 V ~	0,75	1	3,2
1PULSAR DRY A.D. 50/80 M	500140540	1 X 230 V ~	1,2	1,6	5
2PULSAR DRY AD 30/50 M	500140600	1 X 230 V ~	2x0,55	2x0,75	2x2,8
2PULSAR DRY AD 50/50 M	500140610	1 X 230 V ~	2x1	2x1,36	2x4,1
2PULSAR DRY AD 65/50 M	500140620	1 X 230 V ~	2x1,2	2x1,6	2x15
2PULSAR DRY AD 30/80 M	500140630	1 X 230 V ~	2x0,75	2x1	2x3,2
2PULSAR DRY AD 50/80 M	500140640	1 X 230 V ~	2x1,2	2x1,6	2x5

### 1 PULSAR DRY AD

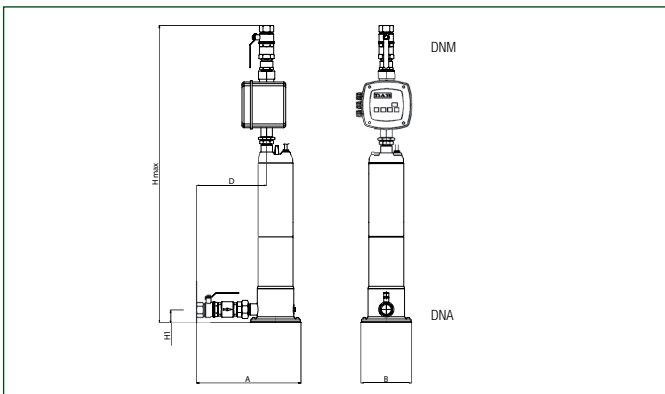


### 2 PULSAR DRY AD

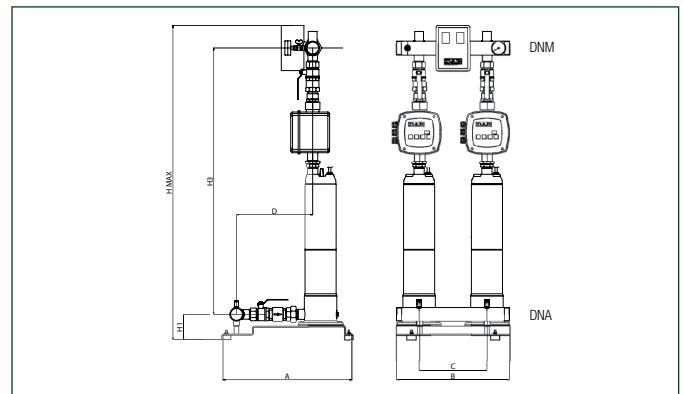


## DIMENSIONS AND WEIGHTS - 1/2 PULSAR DRY AD

### 1 PULSAR DRY AD



### 2 PULSAR DRY AD

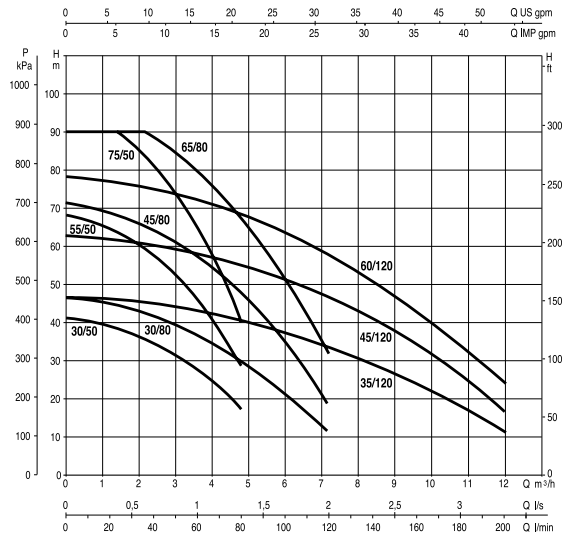


MODEL	A	B	C	D	H max	H1	H3	DNA	DNM	PACKAGING DIMENSIONS			WEIGHT Kg
										L/A	L/B	H	
1PULSAR DRY AD 30/50 M	411	200	-	276	1169	52	-	1 1/2"	1 1/2"	850	610	1000	40
1PULSAR DRY AD 50/50 M	411	200	-	276	1169	52	-	1 1/2"	1 1/2"	850	610	1000	40
1PULSAR DRY AD 65/50 M	411	200	-	276	1169	52	-	1 1/2"	1 1/2"	850	610	1000	40
1PULSAR DRY AD 30/80 M	411	200	-	276	1169	52	-	1 1/2"	1 1/2"	850	610	1000	40
1PULSAR DRY A.D. 50/80 M	411	200	-	276	1169	52	-	1 1/2"	1 1/2"	850	610	1000	40
2PULSAR DRY AD 30/50 M	570	500	300	337	1390	112	1178	2"	1 1/2"	1150	800	1500	67
2PULSAR DRY AD 50/50 M	570	500	300	337	1390	112	1178	2"	1 1/2"	1150	800	1500	67
2PULSAR DRY AD 65/50 M	570	500	300	337	1390	112	1178	2"	1 1/2"	1150	800	1500	67
2PULSAR DRY AD 30/80 M	570	500	300	337	1390	112	1178	2"	1 1/2"	1150	800	1500	68
2PULSAR DRY AD 50/80 M	570	500	300	337	1390	112	1178	2"	1 1/2"	1150	800	1500	68

# DOMESTIC PUMPS SETS WITH ACTIVE DRIVER

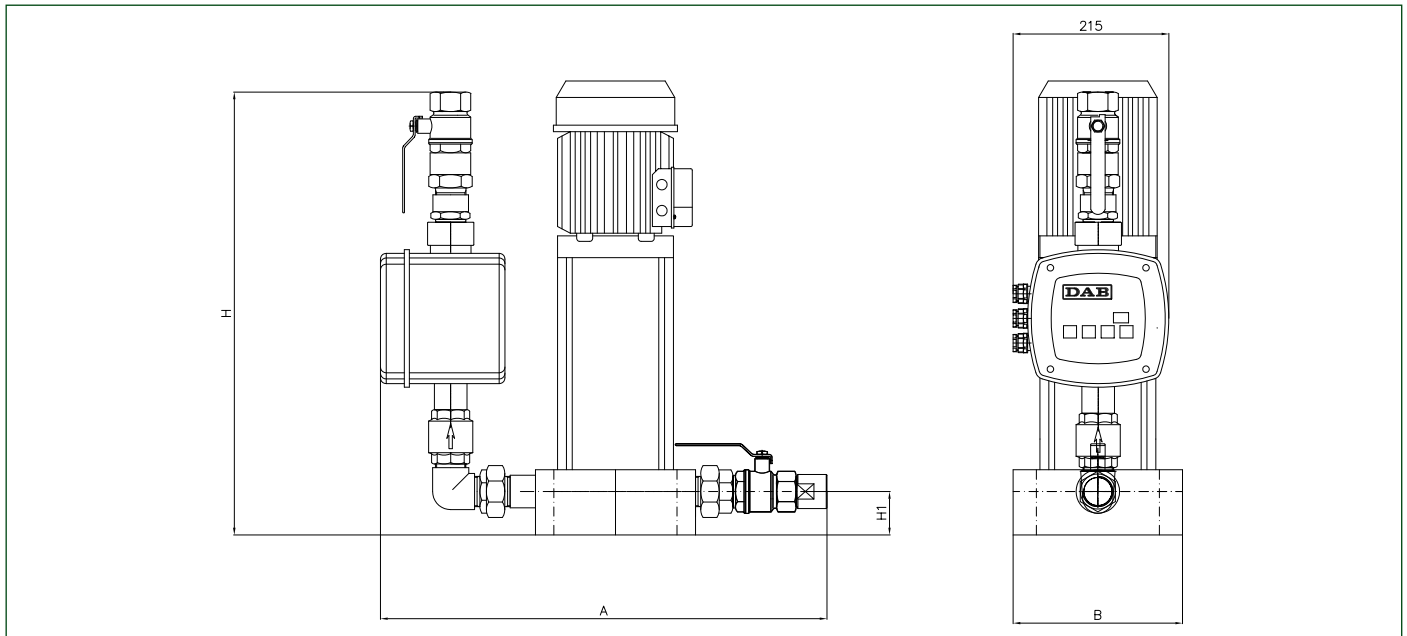
## TECHNICAL DATA - 1 KVC AD

MODEL	CODE	ELECTRICAL DATA			
		VOLTAGE 50 Hz	P2 NOMINAL		In A
			kW	HP	
1 KVC A.D. 30/50 M	60122638	1 X 230 V ~	0,55	0,75	4,1
1 KVC A.D. 55/50 M	60122639	1 X 230 V ~	1	1,36	7,6
1 KVC A.D. 75/50 M	60122640	1 X 230 V ~	1,5	2	10,7
1 KVC A.D. 30/80 M	60122641	1 X 230 V ~	0,8	1,1	6,5
1 KVC A.D. 45/80 M	60122642	1 X 230 V ~	1,1	1,5	9,3
1 KVC A.D. 65/80 M	60122644	1 X 230 V ~	2,2	3	12
1 KVC A.D. 35/120 M	60122645	1 X 230 V ~	1,1	1,5	9,3
1 KVC A.D. 45/120 M	60122646	1 X 230 V ~	1,85	2,5	12
1 KVC A.D. 60/120 T	60122647	3 X 400 V ~	2,2	3	5,8
1 KVC A.D. 70/120 T	60122648	3 X 400 V ~	3	4	6,8
1 KVC A.D. 85/120 T	60122649	3 X 400 V ~	3	4	7,8



## DIMENSIONS AND WEIGHTS - 1 KVC AD

### 1 KVC AD

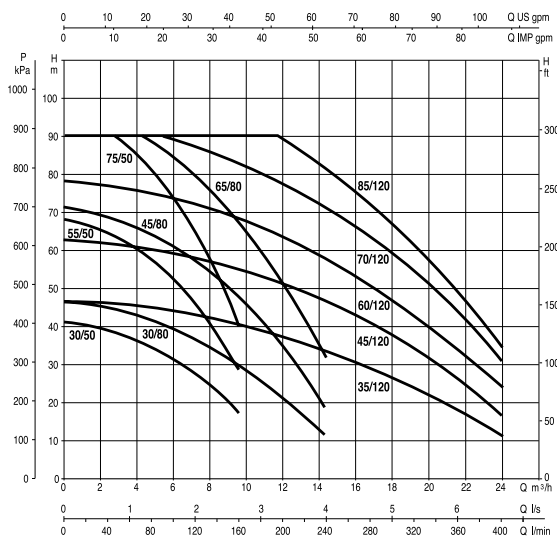


MODEL	A	B	C	D	H max	H1	H3	DNA	DNM	PACKAGING DIMENSIONS			WEIGHT Kg
										L/A	L/B	H	
1 KVC A.D. 30/50 M	530	250	-	-	620	60	-	1 1/4"	1 1/4"	850	610	1000	32
1 KVC A.D. 55/50 M	530	250	-	-	620	60	-	1 1/4"	1 1/4"	850	610	1000	35
1 KVC A.D. 75/50 M	530	250	-	-	620	60	-	1 1/4"	1 1/4"	850	610	1000	39
1 KVC A.D. 30/80 M	530	250	-	-	620	60	-	1 1/4"	1 1/4"	850	610	1000	34
1 KVC A.D. 45/80 M	530	250	-	-	620	60	-	1 1/4"	1 1/4"	850	610	1000	38
1 KVC A.D. 65/80 M	530	250	-	-	620	60	-	1 1/4"	1 1/4"	850	610	1000	40
1 KVC A.D. 35/120 M	530	250	-	-	620	60	-	1 1/4"	1 1/4"	850	610	1000	34
1 KVC A.D. 45/120 M	530	250	-	-	620	60	-	1 1/4"	1 1/4"	850	610	1000	35
1 KVC A.D. 60/120 T	530	250	-	-	620	60	-	1 1/4"	1 1/4"	850	610	1000	39
1 KVC A.D. 70/120 T	530	250	-	-	620	60	-	1 1/4"	1 1/4"	850	610	1000	41
1 KVC A.D. 85/120 T	530	234	-	-	620	60	-	1 1/4"	1 1/4"	850	610	1000	42

# DOMESTIC PUMPS SETS WITH ACTIVE DRIVER

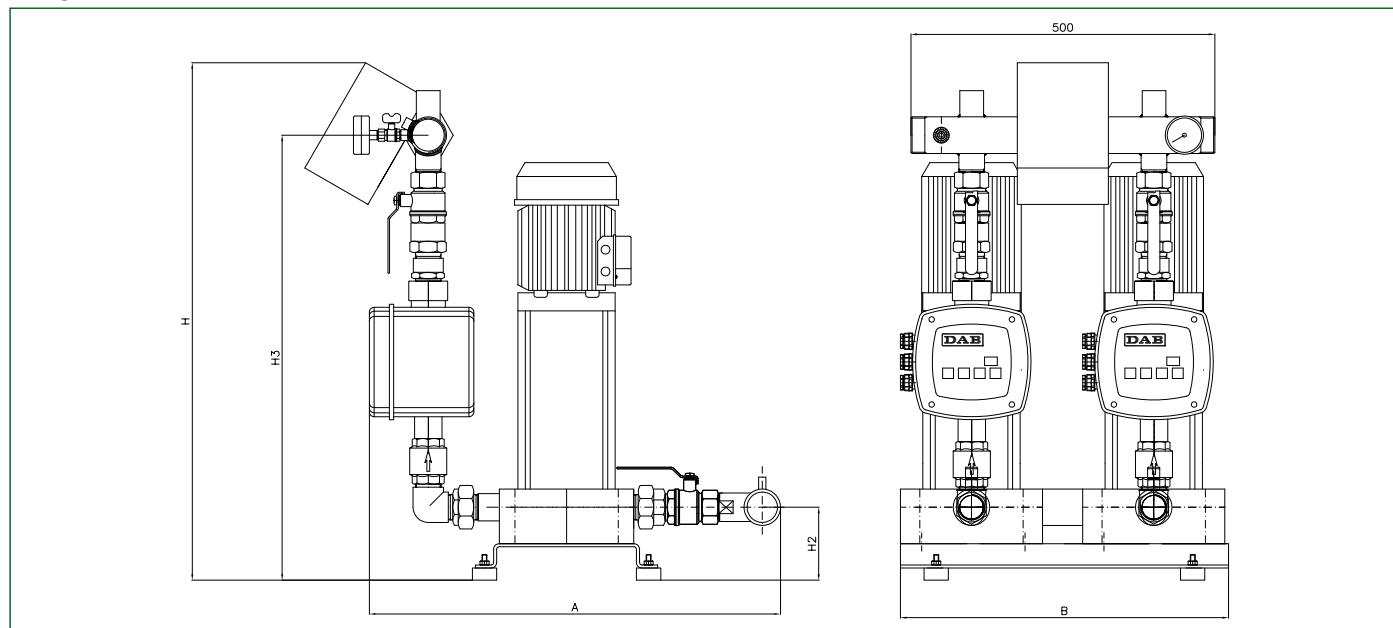
## TECHNICAL DATA - 2 KVC AD

MODEL	CODE	ELECTRICAL DATA			
		VOLTAGE 50 Hz	P2 NOMINAL		In A
			kW x2	HP x2	
2 KVC A.D. 30/50 M	60122650	1 X 230 V ~	0,55	0,75	2x4,1
2 KVC A.D. 55/50 M	60122651	1 X 230 V ~	1	1,36	2x7,6
2 KVC A.D. 55/50 T	60122653	3 X 400 V ~	1	1,36	2x2,6
2 KVC A.D. 75/50 T / N	60122654	3 X 230 V ~	1,5	2	2x10,7
2 KVC A.D. 75/50 T	60122655	3 X 400 V ~	1,5	2	2x3,6
2 KVC A.D. 30/80 M	60122656	1 X 230 V ~	0,8	1,1	2x6,5
2 KVC A.D. 30/80 T	60122657	3 X 400 V ~	0,8	1,1	2x2,2
2 KVC A.D. 45/80 M	60122659	1 X 230 V ~	1,1	1,5	2x9,3
2 KVC A.D. 45/80 T	60122660	3 X 400 V ~	1,1	1,5	2x3,1
2 KVC A.D. 65/80 T / N	60122661	3 X 230 V ~	2,2	3	2x12
2 KVC A.D. 65/80 T	60122662	3 X 400 V ~	2,2	3	2x4
2 KVC A.D. 35/120 M	60122663	1 X 230 V ~	1,1	1,5	2x9,3
2 KVC A.D. 35/120 T	60122664	3 X 400 V ~	1,1	1,5	2x3,5
2 KVC A.D. 45/120 M	60122665	1 X 230 V ~	1,85	2,5	2x12
2 KVC A.D. 45/120 T	60122666	3 X 400 V ~	1,85	2,5	2x4,6
2 KVC A.D. 60/120 T	60122667	3 X 400 V ~	2,2	3	2x5,8
2 KVC A.D. 70/120 T	60122668	3 X 400 V ~	3	4	2x7,8
2 KVC A.D. 85/120 T	60122669	3 X 400 V ~	3	4	2x7,8



## DIMENSIONS AND WEIGHTS - 2 KVC AD

### 2 KVC AD



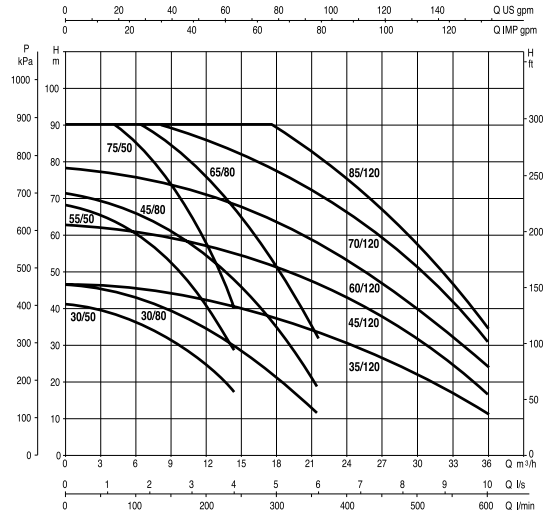
MODEL	A	B	H	H2	H3	DNA	DNM	PACKAGING DIMENSIONS			WEIGHT Kg
								L/A	L/B	H	
2 KVC AD 30/50	660	550	830	100	710	2"	2"	1000	610	1000	76
2 KVC AD 55/50	660	550	830	100	710	2"	2"	1000	610	1000	83
2 KVC AD 75/50	660	550	830	100	710	2"	2"	1000	610	1000	91
2 KVC AD 30/80	660	550	830	100	710	2"	2"	1000	610	1000	80
2 KVC AD 45/80	660	550	830	100	710	2"	2"	1000	610	1000	89
2 KVC AD 65/80	660	550	830	100	710	2"	2"	1000	610	1000	93
2 KVC AD 35/120	660	550	830	100	710	2"	2"	1000	610	1000	81
2 KVC AD 45/120	660	550	830	100	710	2"	2"	1000	610	1000	83
2 KVC AD 60/120	660	550	830	100	710	2"	2"	1000	610	1000	89
2 KVC AD 70/120	660	550	830	100	710	2"	2"	1000	610	1000	95
2 KVC AD 85/120	660	550	830	100	710	2"	2"	1000	610	1000	97



# DOMESTIC PUMPS SETS WITH ACTIVE DRIVER

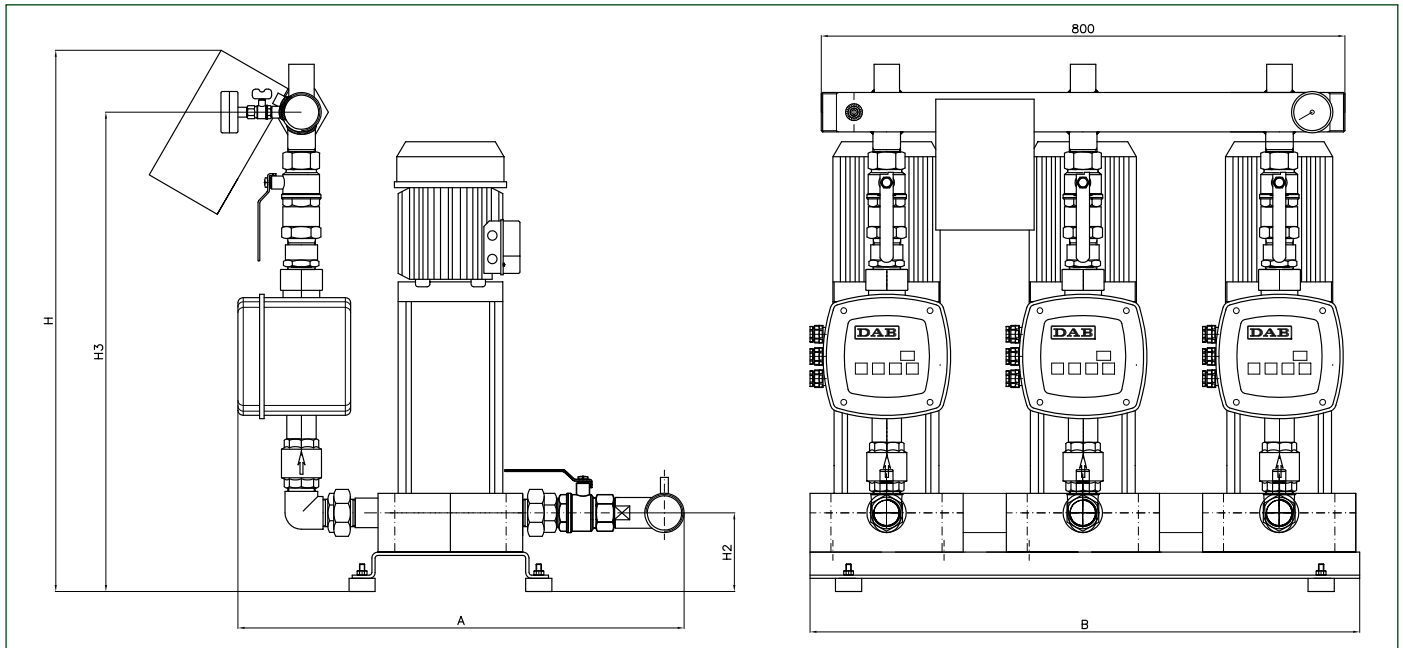
## TECHNICAL DATA - 3 KVC AD

MODEL	CODE	ELECTRICAL DATA			
		VOLTAGE 50 Hz	P2 NOMINAL		In A
			kW x3	HP x3	
3 KVC A.D. 30/50 M	60122670	1 X 230 V ~	0,55	0,75	3x4,1
3 KVC A.D. 55/50 T / N	60122671	3 X 230 V ~	1	1,36	3x7,6
3 KVC A.D. 75/50 T / N	60122672	3 X 230 V ~	1,5	2	3x10,7
3 KVC A.D. 30/80 T / N	60122673	3 X 230 V ~	0,8	1,1	-
3 KVC A.D. 45/80 T / N	60122674	3 X 230 V ~	1,1	1,5	-
3 KVC A.D. 65/80 T / N	60122675	3 X 230 V ~	2,2	3	3x12
3 KVC A.D. 35/120 T / N	60122676	3 X 230 V ~	1,1	1,5	-
3 KVC A.D. 35/120 T	60122677	3 X 400 V ~	1,1	1,5	3x3,5
3 KVC A.D. 45/120 T / N	60122678	3 X 230 V ~	1,85	2,5	-
3 KVC A.D. 45/120 T	60122679	3 X 400 V ~	1,85	2,5	3x4,6
3 KVC A.D. 60/120 T	60122680	3 X 400 V ~	2,2	3	3x5,8
3 KVC A.D. 70/120 T	60122682	3 X 400 V ~	3	4	3x7,8
3 KVC A.D. 85/120 T	60122683	3 X 400 V ~	3	4	3x7,8



## DIMENSIONS AND WEIGHTS - 3 KVC AD

### 3 KVC AD

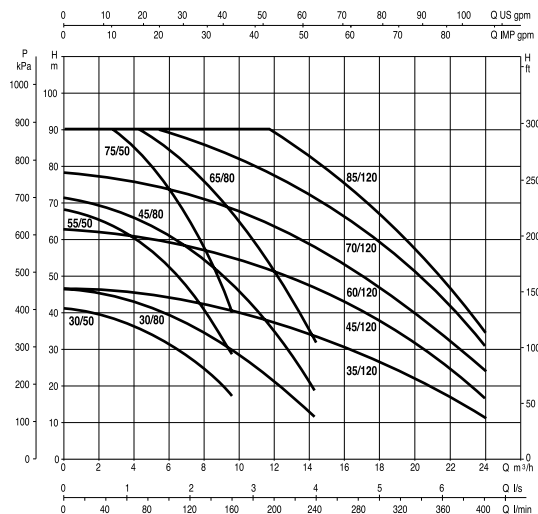


MODEL	A	B	H	H2	H3	DNA	DNM	PACKAGING DIMENSIONS			WEIGHT Kg
								L/A	L/B	H	
3 KVC A.D. 30/50 M	750	900	740	100	710	2 1/2"	2 1/2"	1000	800	1400	97
3 KVC A.D. 55/50 T / N	750	900	740	100	710	2 1/2"	2 1/2"	1000	800	1400	97
3 KVC A.D. 75/50 T / N	750	900	740	100	710	2 1/2"	2 1/2"	1000	800	1400	97
3 KVC A.D. 30/80 T / N	750	900	740	100	710	2 1/2"	2 1/2"	1000	800	1400	97
3 KVC A.D. 45/80 T / N	750	900	740	100	710	2 1/2"	2 1/2"	1000	800	1400	97
3 KVC A.D. 65/80 T / N	750	900	740	100	710	2 1/2"	2 1/2"	1000	800	1400	97
3 KVC A.D. 35/120 T / N	750	900	740	100	710	2 1/2"	2 1/2"	1000	800	1400	97
3 KVC A.D. 35/120 T	750	900	740	100	710	2 1/2"	2 1/2"	1000	800	1400	156
3 KVC A.D. 45/120 T / N	750	900	740	100	710	2 1/2"	2 1/2"	1000	800	1400	156
3 KVC A.D. 45/120 T	750	900	740	100	710	2 1/2"	2 1/2"	1000	800	1400	153
3 KVC A.D. 60/120 T	750	900	740	100	710	2 1/2"	2 1/2"	1000	800	1400	153
3 KVC A.D. 70/120 T	750	900	740	100	710	2 1/2"	2 1/2"	1000	800	1400	153
3 KVC A.D. 85/120 T	750	900	740	100	710	2 1/2"	2 1/2"	1000	800	1400	153

# DOMESTIC PUMPS SETS WITH ACTIVE DRIVER

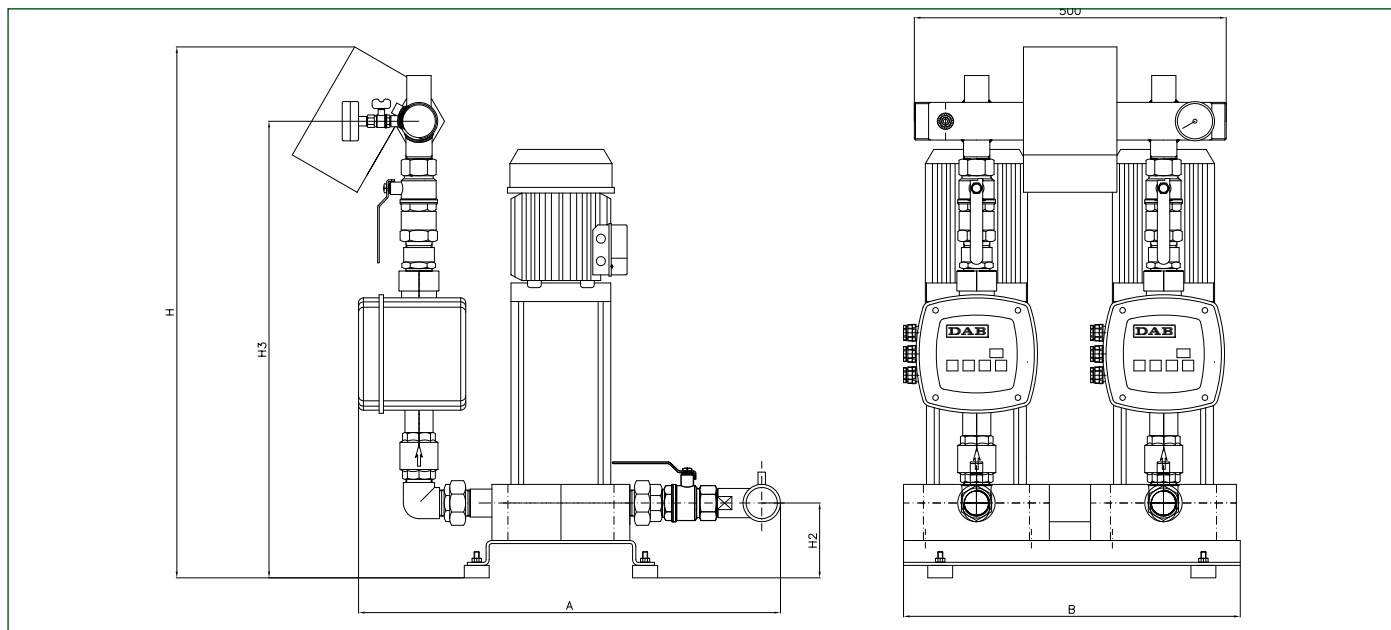
## TECHNICAL DATA - 2 KVCX AD

MODEL	CODE	ELECTRICAL DATA			
		VOLTAGE 50 Hz	P2 NOMINAL		In A
			kW	HP	
2 KVCX A.D. 30/50 M	500140800	1 X 230 V ~	0,55	0,75	2x4,1
2 KVCX A.D. 55/50 M	500140810	1 X 230 V ~	1	1,36	2x7,6
2 KVCX A.D. 55/50 T	60112094	3 X 400 V ~	1	1,36	2x2,6
2 KVCX A.D. 75/50 T / N	500140820	3 X 230 V ~	1,5	2	2x10,7
2 KVCX A.D. 75/50 T	60122215	3 X 400 V ~	1,5	2	2x3,6
2 KVCX A.D. 30/80 M	500140830	1 X 230 V ~	0,8	1,1	2x6,5
2 KVCX A.D. 30/80 T	60112093	3 X 400 V ~	0,8	1,1	2x2,2
2 KVCX A.D. 45/80 M	500140840	1 X 230 V ~	1,1	1,5	2x9,3
2 KVCX A.D. 45/80 T	60122216	3 X 400 V ~	1,1	1,5	2x3,1
2 KVCX A.D. 65/80 T / N	500140850	3 X 230 V ~	2,2	3	2x12
2 KVCX A.D. 65/80 T	60122217	3 X 400 V ~	2,2	3	2x4
2 KVCX A.D. 35/120 M	500140860	1 X 230 V ~	1,1	1,5	2x9,3
2 KVCX A.D. 35/120 T	60112095	3 X 400 V ~	1,1	1,5	2x3,5
2 KVCX A.D. 45/120 M	500140780	1 X 230 V ~	1,85	2,5	2x12
2 KVCX A.D. 45/120 T	60112096	3 X 400 V ~	1,85	2,5	2x4,6
2 KVCX A.D. 60/120 T	500140870	3 X 400 V ~	2,2	3	2x5,8
2 KVCX A.D. 70/120 T	500140480	3 X 400 V ~	3	4	2x7,8
2 KVCX A.D. 85/120 T	500140490	3 X 400 V ~	3	4	2x7,8



## DIMENSIONS AND WEIGHTS - 2 KVCX AD

### 2 KVCX AD

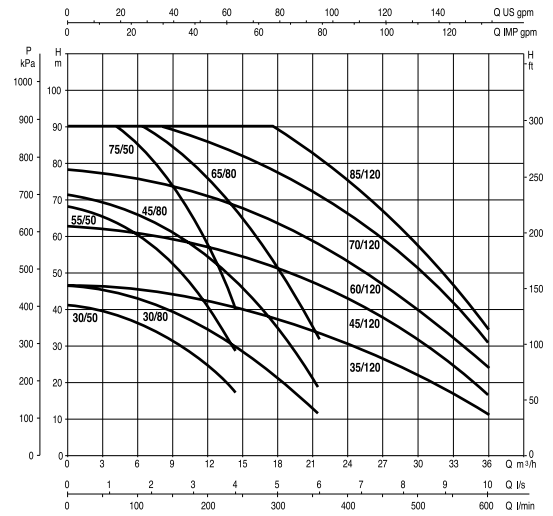


MODEL	A	B	H	H2	H3	DNA	DNM	PACKAGING DIMENSIONS			WEIGHT Kg
								L/A	L/B	H	
2 KVC AD 30/50	660	550	830	100	710	2"	2"	1000	610	1000	76
2 KVC AD 55/50	660	550	830	100	710	2"	2"	1000	610	1000	83
2 KVC AD 75/50	660	550	830	100	710	2"	2"	1000	610	1000	91
2 KVC AD 30/80	660	550	830	100	710	2"	2"	1000	610	1000	80
2 KVC AD 45/80	660	550	830	100	710	2"	2"	1000	610	1000	89
2 KVC AD 65/80	660	550	830	100	710	2"	2"	1000	610	1000	93
2 KVC AD 35/120	660	550	830	100	710	2"	2"	1000	610	1000	81
2 KVC AD 45/120	660	550	830	100	710	2"	2"	1000	610	1000	83
2 KVC AD 60/120	660	550	830	100	710	2"	2"	1000	610	1000	89
2 KVC AD 70/120	660	550	830	100	710	2"	2"	1000	610	1000	95
2 KVC AD 85/120	660	550	830	100	710	2"	2"	1000	610	1000	97

# DOMESTIC PUMPS SETS WITH ACTIVE DRIVER

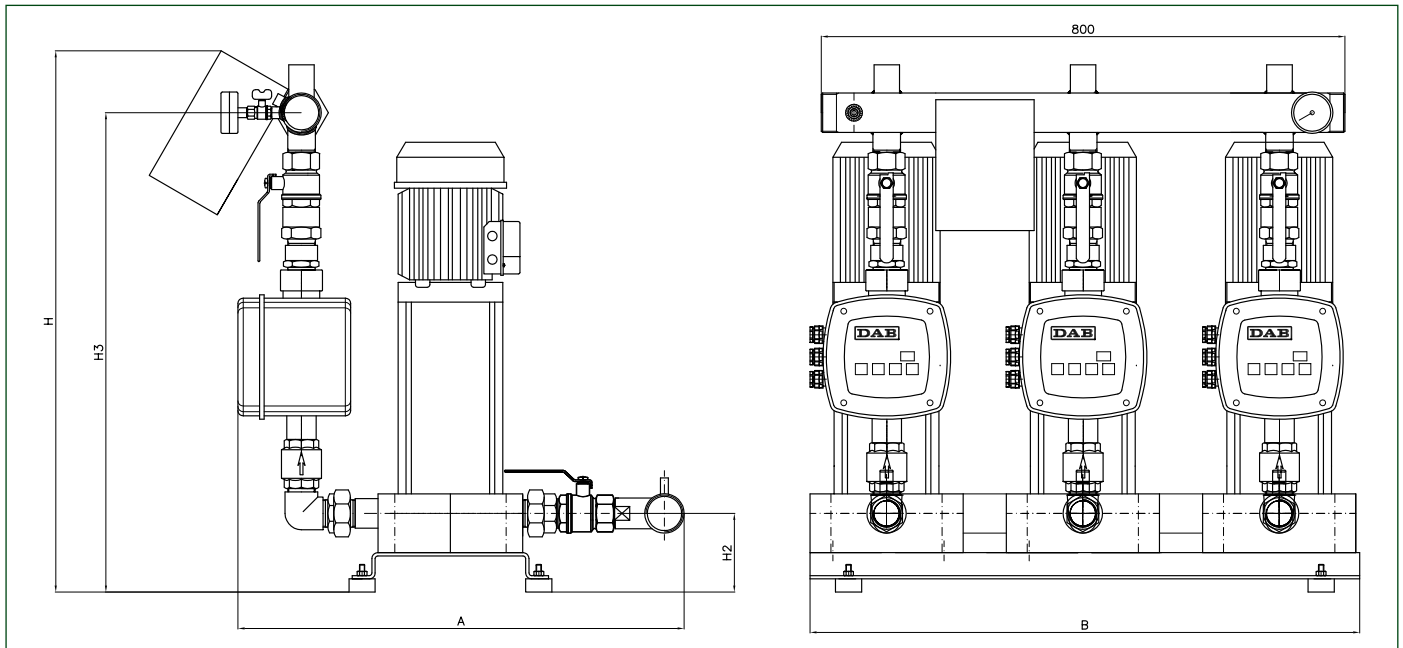
## TECHNICAL DATA - 3 KVCX AD

MODEL	CODE	ELECTRICAL DATA			
		VOLTAGE 50 Hz	P2 NOMINAL		In A
			kW x3	HP x3	
3 KVCX A.D. 30/50 M	500140900	1 X 230 V ~	0,55	0,75	3x4,1
3 KVCX A.D. 55/50 T / N	500140910	3 X 230 V ~	1	1,36	3x7,6
3 KVCX A.D. 75/50 T / N	500140920	3 X 230 V ~	1,5	2	3x10,7
3 KVCX A.D. 30/80 T / N	500140930	3 X 230 V ~	0,8	1,1	-
3 KVCX A.D. 45/80 T / N	500140940	3 X 230 V ~	1,1	1,5	-
3 KVCX A.D. 65/80 T / N	500140950	3 X 230 V ~	2,2	3	3x12
3 KVCX A.D. 35/120 T / N	500140960	3 X 230 V ~	1,1	1,5	-
3 KVCX A.D. 35/120 T	60112099	3 X 400 V ~	1,1	1,5	3x3,5
3 KVCX A.D. 45/120 T / N	500140470	3 X 230 V ~	1,85	2,5	-
3 KVCX A.D. 45/120 T	60112100	3 X 400 V ~	1,85	2,5	3x4,6
3 KVCX A.D. 60/120 T	500140970	3 X 400 V ~	2,2	3	3x5,8
3 KVCX A.D. 70/120 T	500140980	3 X 400 V ~	3	4	3x7,8
3 KVCX A.D. 85/120 T	500140990	3 X 400 V ~	3	4	3x7,8



## DIMENSIONS AND WEIGHTS - 3 KVCX AD

### 3 KVCX AD



MODEL	A	B	H	H2	H3	DNA	DNM	PACKAGING DIMENSIONS			WEIGHT Kg
								L/A	L/B	H	
3 KVC A.D. 30/50 M	750	900	740	100	710	2 1/2"	2 1/2"	1000	800	1400	97
3 KVC A.D. 55/50 T / N	750	900	740	100	710	2 1/2"	2 1/2"	1000	800	1400	97
3 KVC A.D. 75/50 T / N	750	900	740	100	710	2 1/2"	2 1/2"	1000	800	1400	97
3 KVC A.D. 30/80 T / N	750	900	740	100	710	2 1/2"	2 1/2"	1000	800	1400	97
3 KVC A.D. 45/80 T / N	750	900	740	100	710	2 1/2"	2 1/2"	1000	800	1400	97
3 KVC A.D. 65/80 T / N	750	900	740	100	710	2 1/2"	2 1/2"	1000	800	1400	97
3 KVC A.D. 35/120 T / N	750	900	740	100	710	2 1/2"	2 1/2"	1000	800	1400	97
3 KVC A.D. 35/120 T	750	900	740	100	710	2 1/2"	2 1/2"	1000	800	1400	156
3 KVC A.D. 45/120 T / N	750	900	740	100	710	2 1/2"	2 1/2"	1000	800	1400	156
3 KVC A.D. 45/120 T	750	900	740	100	710	2 1/2"	2 1/2"	1000	800	1400	153
3 KVC A.D. 60/120 T	750	900	740	100	710	2 1/2"	2 1/2"	1000	800	1400	153
3 KVC A.D. 70/120 T	750	900	740	100	710	2 1/2"	2 1/2"	1000	800	1400	153
3 KVC A.D. 85/120 T	750	900	740	100	710	2 1/2"	2 1/2"	1000	800	1400	153