



# PRICE LIST NOVEMBER 2012

LOWARA UK LIMITED PROVIDING PUMPING PRODUCTS AND SYSTEMS

# Lowara... the perfect partner

Lowara is committed to studying, developing, manufacturing and distributing pumps and pumping systems for water technology applications.

Founded in 1968 and based in Montecchio Maggiore, near Vicenza in Italy, Lowara has been serving customers and users of hydraulic pumps in various sectors for more than 30 years. Water is the principle element of life and the common denominator of all applications where Lowara pumps are used. Lowara pumps are made in fabricated stainless steel, which keeps the water free of contamination. The laser welding technology creates pumps that are resistant to aggressive chemicals and guarantees that the production process respects the natural environment. Advanced pump control and regulation systems ensure the safe, reliable and economic use of water.



<b>Surface Pumps</b>	<b>A</b>
<b>Circulators</b>	<b>B</b>
<b>Clean water packaged sets</b>	<b>C</b>
<b>Submersible pumps &amp; packaged stations</b>	<b>D</b>
<b>Borehole pumps</b>	<b>E</b>
<b>Variable Speed</b>	<b>F</b>
<b>Spares, accessories &amp; carriage</b>	<b>G</b>
<b>Lowara service and training</b>	<b>H</b>



## CONTENTS

### SECTION A Surface pumps

Page	9	C Series of centrifugal pumps
	10	CO Series of open impeller pumps
	10	BG Series of Jet pumps
	10	JET Series of cast iron self priming pumps
	10	SP Series of self priming pumps
	11	HM/HMS Series horizontal pumps
	11	TKS Series Teknospeed pumps
	12	AV/AG Series Swimming pool pumps
	12	Magnaflow 440 Whirlpool & Spa pumps
	12	Genesis air blowers
	13	P Series of peripheral pumps
	13	CEF/COF Series of frame mounted centrifugal pumps
	14	FHEM Series of end suction close coupled pumps
	14	FHE Series of end suction close coupled pumps
	15	FHE/FHS Series of end suction close coupled pumps
	16	FHE4/FHS4 Series of end suction close coupled pumps
	17	FHS4 Series of end suction close coupled pumps
	18	SHE/SHS Series of end suction close coupled pumps
	19	SHE4 Series of end suction close coupled pumps
	20	SHO Series of end suction close coupled pumps
	21	SHOD Series of end suction close coupled pumps
	22	TKS/SV Series Teknospeed vertical multistage pumps
	23	1 - 3 e-SVH Series variable speed vertical multistage pumps
	24	5 - 10 e-SVH Series variable speed vertical multistage pumps
	25	15 - 22 e-SVH Series variable speed vertical multistage pumps
	26	33 - 46 - 66 - 92 - 125 e-SV Series vertical multistage pumps
	27	1SV Series vertical multistage pumps
	28	1SV Series vertical multistage pumps
	29	1SV Series vertical multistage pumps
	30	1SV Series vertical multistage pumps
	31	3SV Series vertical multistage pumps
	32	3SV Series vertical multistage pumps
	33	3SV Series vertical multistage pumps
	34	3SV Series vertical multistage pumps
	35	5SV Series vertical multistage pumps
	36	5SV Series vertical multistage pumps
	37	5SV Series vertical multistage pumps
	38	5SV Series vertical multistage pumps
	39	10SV Series vertical multistage pumps
	40	10SV Series vertical multistage pumps
	41	15SV Series vertical multistage pumps
	42	15SV Series vertical multistage pumps
	43	22SV Series vertical multistage pumps
	44	22SV Series vertical multistage pumps
	45	33SV Series vertical multistage pumps
	46	46SV - 66SV Series vertical multistage pumps
	47	92SV - 125SV Series vertical multistage pumps
	48	33SV N in AISI 316 Series vertical multistage pumps
	49	46SV - 66SV N in AISI 316 Series vertical multistage pumps
	50	92SV - 125SV N in AISI 316 Series vertical multistage pumps
	50	Multistage Pumps - Series MPB / MPV / MPA / MP / MPE
	51	e-SV Counterflanges
	52	SVI Series immersible vertical multistage pumps
	53	SVI Series immersible vertical multistage pumps

### SECTION B Circulators

Page	57	Ecocirc Series of in-line circulator pumps
	58	EB Series of in-line circulator pumps
	58	D5 Series of in-line circulator pumps
	59	TLCB/TLCHB Series of in-line circulator pumps
	60	TLCSOL/TLCK Series of in-line circulator pumps
	61	AFLC/AFLCG Series of close coupled in-line pumps
	62	TP Condensate removal pumps
	62	SOS Mobile electric heaters
	62	BM mini/BM eco Mixing systems
	63	FCEH Variable speed in-line pumps
	64	FCE4H/FCS4H Variable speed in-line pumps
	65	FCTEH Variable speed twin-head in-line pumps
	66	FCTE4H/FCTS4H Variable speed twin-head in-line pumps
	67	FCE Series of in-line circulator pumps
	68	FCE4/FCS4 Series of in-line circulator pumps
	69	FCE4/FCS4 Series of in-line circulator pumps



<b>SECTION B</b>	<b>Circulators</b> <i>(continued)</i>
Page	70 FCTE Series of twin-head in-line circulator pumps
	71 FCTE4/FCTS4 Series of twin-head in-line circulator pumps
	72 In-line FC-FCT accessories
	73 In-line FC-FCT accessories
	74 Triple Duty Valves & Suction Diffusers

<b>SECTION C</b>	<b>Clean water packaged sets</b>
Page	77 Water cooled Hydrovar pump sets
	77 Mini cold water variable speed booster sets
	77 Teknospeed variable speed single pump booster sets
	78 Teknospeed variable speed single pump booster sets
	78 Teknospeed variable speed twin pump booster sets
	79 GHV 10 series booster sets
	80 GHV 10 series booster sets
	81 GHV 10 series booster sets
	82 GHV 20 series R version booster sets
	83 GHV 20 series F version booster sets
	84 GHV 20 series e-SV 33 - 92 booster sets
	85 GHV 30 series R version booster sets
	86 GHV 30 series F version booster sets
	87 GHV 30 series e-SV 33 - 92 booster sets
	88 GHV 40 series F version booster sets
	89 GHV 40 series F version booster sets
	90 Pressure sets (Fixed speed)
	90 Mini cold water booster sets (Fixed speed)
	90 Twin pump booster sets (Fixed speed)
	91 GM#20 Two pump fixed speed booster sets
	92 GM#20 Two pump fixed speed booster sets
	93 GM#30 Three pump fixed speed booster sets
	94 Large cold water packaged booster sets
	94 Booster Set Accessories
	94 Combination Surge Arrestor & Air Release Valves
	94 Domestic booster sets - Series Resvari/Resfix
	94 Lowara Servitec Vacuum Degassing Unit
	95 Rainwater harvesting
	95 Wedeco UV units - Series Aquada
	96 Hydroquench 3000 Series
	96 GEN Series fire fighting booster sets
	97 Pressurisation sets Prefix, Alpha/Beta
	97 Expansion Tanks, fixed and interchangeable membranes

<b>SECTION D</b>	<b>Submersible pumps &amp; packaged stations</b>
Page	101 DOC Series of submersible pumps
	101 DOC Series of submersible pumps fitted with tube floatswitch
	101 DOC3/A Flood Kit
	101 AquaCharge Series of submersible pumps
	102 DOMO Series of submersible pumps
	102 DOMO Series of submersible pumps fitted with tube floatswitch
	102 DOMO GRI Series of submersible grinder pumps
	103 DIWA Series of submersible pumps
	103 DN Series of submersible pumps
	103 READY Series of submersible pumps
	104 DL/GL, DLV/GLV Series of submersible pumps
	105 Control panels
	106 GLS Series of submersible pumps
	107 GLS Series of submersible pumps accessories
	108 GLS Series of submersible pumps accessories
	109 GLS Series of submersible pumps control panels
	110 GLV Series of submersible pumps (10m cables)
	111 GLV Series of submersible pumps (20m cables)
	112 GLV Series of submersible pumps accessories
	113 GLV Series of submersible pumps accessories
	114 GLV Series of submersible pumps control panels
	115 FDLT Series of submersible pumps
	116 FDLT Series of submersible pumps accessories
	117 FDLT Series of submersible pumps accessories
	118 Flygt connect adaptors
	119 Pre-fabricated lifting stations, Minibox, Micro 4, Micro 6
	120 Pre-fabricated lifting stations, Micro 6+6
	121 Pre-fabricated lifting stations, Micro 10

## **SECTION E Borehole pumps**

Page	125	GS Series of 4" Submersible pumps (230-1-50)
	126	GS Series of 4" Submersible pumps (400-3-50)
	127	Z6 Series of 6" Borehole pumps (400-3-50)
	128	Z6 Series of 6" Borehole pumps (400-3-50)
	129	Z6 Series of 6" Borehole pumps (400-3-50)
	130	Z6 Series of 6" Borehole pumps (400-3-50)
	131	Z6 Series of 6" Borehole pumps (400-3-50)
	132	Z6 Series of 6" Borehole pumps (400-3-50)
	132	Motor Shrouds
	133	Z8 Series of 8" Borehole pumps for 8" wells
	134	Z8 Series of 8" Borehole pumps for 8" wells
	135	Z10 Series of 10" Borehole pumps for 10" wells
	136	Z10 Series of 10" Borehole pumps for 10" wells
	137	Z12 Series of 12" Borehole pumps for 12" wells
	138	SC Series of Submersible pumps with cable
	139	Control panels and cable

## **SECTION F Variable speed**

Page	143	Hydrovar energy saving control systems
	144	Mini-Hydrovar
	144	Pumpwatcher
	144	Orifice plates
	144	Pressure transducers
	144	Water cooled Hydrovar
	145	Aquontroller
	145	Lowara motors
	146	Teknospeed variable speed drives

## **SECTION G Spares, accessories and carriage**

Page	149	CK/CA, CEA/CEK, CO, BG/BGM/SG/SGM, SP recommended spare parts
	150	HM, HMS, P, recommended spare parts
	151	FHE/FHS, SHE/SHS recommended spare parts
	152	FCE/FCTE, FCS/FCTS recommended spare parts
	153	e-SV, SV recommended spare parts
	154	SVI, DOMO GRI recommended spare parts
	155	Pressure vessels
	156	Pressure switches
	156	Float switches
	156	Genyo series
	157	Accessories, Non-Return Valves, Strainers & Hosetails
	158	Aquada Series UV units
	159	Wedeco filters
	160	Carriage and packing charges

## **SECTION H Lowara service and training**

Page	163	Lowara UK Service information
	166	Lowara UK Re-stocking policy
	167	Lowara UK Training centre information
	A-F	Terms and Conditions

Product line images in this price list are for illustration purpose only, product may vary.  
Lowara UK reserve the right to make modifications without prior notice.

# Surface pumps

## SECTION A

## CONTENTS

### SECTION A Surface pumps

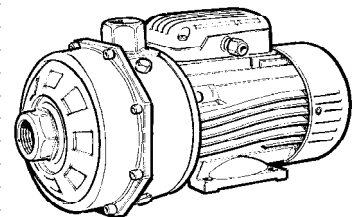
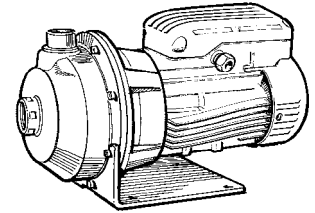
Page		
9	C Series of centrifugal pumps	
10	CO Series of open impeller pumps	
10	BG Series of Jet pumps	
10	JET Series of cast iron self priming pumps	
10	SP Series of self priming pumps	
11	HM/HMS Series horizontal pumps	
11	TKS Series Teknospeed pumps	
12	AV/AG Series Swimming pool pumps	
12	Magnaflow 440 Whirlpool & Spa pumps	
12	Genesis air blowers	
13	P Series of peripheral pumps	
13	CEF/COF Series of frame mounted centrifugal pumps	
14	FHEM Series of end suction close coupled pumps	
14	FHE Series of end suction close coupled pumps	
15	FHE/FHS Series of end suction close coupled pumps	
16	FHE4/FHS4 Series of end suction close coupled pumps	
17	FHS4 Series of end suction close coupled pumps	
18	SHE/SHS Series of end suction close coupled pumps	
19	SHE4 Series of end suction close coupled pumps	
20	SHO Series of end suction close coupled pumps	
21	SHOD Series of end suction close coupled pumps	
22	TKS/SV Series Teknospeed vertical multistage pumps	
23	1 - 3 e-SVH Series variable speed vertical multistage pumps	
24	5 - 10 e-SVH Series variable speed vertical multistage pumps	
25	15 - 22 e-SVH Series variable speed vertical multistage pumps	
26	33 - 46 - 66 - 92 - 125 e-SV Series vertical multistage pumps	
27	1SV Series vertical multistage pumps	
28	1SV Series vertical multistage pumps	
29	1SV Series vertical multistage pumps	
30	1SV Series vertical multistage pumps	
31	3SV Series vertical multistage pumps	
32	3SV Series vertical multistage pumps	
33	3SV Series vertical multistage pumps	
34	3SV Series vertical multistage pumps	
35	5SV Series vertical multistage pumps	
36	5SV Series vertical multistage pumps	
37	5SV Series vertical multistage pumps	
38	5SV Series vertical multistage pumps	
39	10SV Series vertical multistage pumps	
40	10SV Series vertical multistage pumps	
41	15SV Series vertical multistage pumps	
42	15SV Series vertical multistage pumps	
43	22SV Series vertical multistage pumps	
44	22SV Series vertical multistage pumps	
45	33SV Series vertical multistage pumps	
46	46SV - 66SV Series vertical multistage pumps	
47	92SV - 125SV Series vertical multistage pumps	
48	33SV N in AISI 316 Series vertical multistage pumps	
49	46SV - 66SV N in AISI 316 Series vertical multistage pumps	
50	92SV - 125SV N in AISI 316 & MPB / MPV / MPA / MP / MPE Series multistage pumps	
51	e-SV Counterflanges	
52	SVI Series immersible vertical multistage pumps	
53	SVI Series immersible vertical multistage pumps	

Product line images in this price list are for illustration purpose only, product may vary.  
Lowara UK reserve the right to make modifications without prior notice.

**End suction centrifugal pumps in 304 stainless steel - Series C**

For water up to 110°C with FPM elastomers.

Type	Price	Family Code	Part Number	kW	kg
<b>Single phase (110/1/50)</b>					
CEAM 70/3-V/A	£551.00	7H	10733000DAA	0.37	10
CEAM 70/5-V/A	£559.00	7H	107330010DAA	0.55	11.6
<b>Single phase (230/1/50)</b>					
CEAM 70/3-V/A	£497.00	7H	10733000XAA	0.37	10
CEAM 70/5-V/A	£510.00	7H	107330010XAA	0.55	11.6
CAM 70/33/B-V	£649.00	7I	101810000XAA	0.75	13.5
CAM 70/34/B-V	£758.00	7I	101810010XAA	0.9	13.5
CAM 70/45/B-V	£811.00	7I	101810020XAA	1.1	16.5
CEAM 80/5-V/A	£631.00	7H	107330020XAA	0.75	12.5
CEAM 120/3-V/A	£663.00	7H	107330030XAA	0.55	11.5
CEAM 120/5-V/A	£789.00	7H	107330040XAA	0.9	15
CAM 120/33/B-V	£926.00	7I	101810030XAA	1.1	16
CAM 120/35/B-V	£1,144.00	7I	101810040XAA	1.5	23
CAM 120/55/P-V	£1,200.00	7I	101810050XAA	2.2	23
CAM 200/33/P-V	£1,308.00	7I	101810060XAA	2.2	24
CAM 200/35/P-V	£1,391.00	7I	101810070XAA	2.2	24
CEAM 210/2-V/A	£803.00	7H	107330050XAA	0.75	12
CEAM 210/3-V/A	£883.00	7H	107330060XAA	1.1	15
CEAM 210/4-V/A	£1,185.00	7H	107330070XAA	1.5	21.5
CEAM 210/5/P-V	£1,324.00	7H	101800080XAA	2.2	22
CEAM 370/1-V/A	£883.00	7H	107330090XAA	1.1	15
CEAM 370/2-V/A	£1,244.00	7H	107330100XAA	1.5	21.5
CEAM 370/3/P-V	£1,355.00	7H	101800110XAA	2.2	22
<b>Three phase (400/3/50)</b>					
CEA 70/3-V/A	£469.00	7H	107330130XAA	0.37	10
CEA 70/5-V/A	£497.00	7H	107330140XAA	0.55	11.5
CA 70/33/D-V	£615.00	7I	104490000XAA	0.75	16.7
CA 70/34/D-V	£699.00	7I	104490010XAA	0.9	17.4
CA 70/45/D-V	£760.00	7I	104490030XAA	1.1	18.7
CEA 80/5/D-V	£624.00	7H	104480020XAA	0.75	14.4
CEA 120/3-V/A	£656.00	7H	107330160XAA	0.55	11.5
CEA 120/5/D-V	£768.00	7H	104480040XAA	0.9	14.6
CA 120/33/D-V	£873.00	7I	104490050XAA	1.1	18.7
CA 120/35/D-V	£952.00	7I	104490060XAA	1.5	20.4
CA 120/55/P-V	£1,078.00	7I	101810170XAA	2.2	25
CEA 210/2/D-V	£774.00	7H	104480050XAA	0.75	14.6
CEA 210/3/D-V	£833.00	7H	104480060XAA	1.1	16.4
CEA 210/4/D-V	£925.00	7H	104480070XAA	1.5	17.9
CEA 210/5/C-V	£1,012.00	7H	104290080XAA	1.85	21
CA 200/33/P-V	£1,017.00	7I	101810180XAA	1.85	25
CA 200/35/P-V	£1,161.00	7I	101810150XAA	2.2	25
CA 200/55/P-V	£1,397.00	7I	101810160XAA	3	27
CEA 370/1/D-V	£833.00	7H	104480090XAA	1.1	15.8
CEA 370/2/D-V	£1,012.00	7H	104480100XAA	1.5	17.9
CEA 370/3/C-V	£1,118.00	7H	104290110XAA	1.85	21
CEA 370/5/P-V	£1,124.00	7H	101800260XAA	3	21
<b>Three phase 4 pole (400/3/50)</b>					
CEA4 70/3-V/A	£507.00	7H	107330530XAA	0.25	10
CEA4 70/5-V/A	£602.00	7H	107330550XAA	0.25	10


**Please note:**

Pumps available with NBR elastomers for water up to 85°C - please deduct 10% from list price.

 Extra price for fitting hard face seal **£194.00** list.

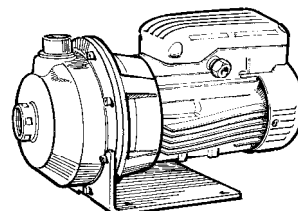
 All C pumps can be supplied fitted with WRAS approved seals on request. Extra price **£119.00** list.

Pumps available in 316 stainless steel - please add 10% to the pump price.

## End suction open impeller pumps in 316 stainless steel - Series CO

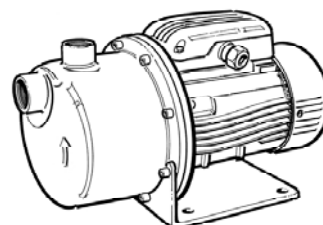
For water up to 110°C, silicon carbide / tungsten carbide / FPM seals as standard.

Type	Price	Family Code	Part Number	kW	kg
<b>Single phase (230/1/50)</b>					
COM 350/03K/A	£970.00	3A	107350000XN	0.37	10
COM 350/05K/A	£1,003.00	3A	107350010XN	0.55	11.9
COM 350/07K/A	£1,049.00	3A	107350020XN	0.75	12.6
COM 350/09K/A	£1,058.00	3A	107350030XN	0.9	13.2
COM 350/11K/A	£1,333.00	3A	107350040XN	1.1	14.5
COM 350/15K/A	£1,522.00	3A	107350050XN	1.5	16.2
COM 500/15K/A	£1,568.00	3A	107350060XN	1.5	16.2
COM 500/22K/P	£1,609.00	3A	101820070XN	2.2	20
<b>Three phase (400/3/50)</b>					
CO 350/03K/A	£958.00	3A	107350090XN	0.37	10
CO 350/05K/A	£985.00	3A	107350100XN	0.55	11.9
CO 350/07K/D	£1,017.00	3A	104491020XN	0.75	14.1
CO 350/09K/D	£1,020.00	3A	104491030XN	0.9	16
CO 350/11K/D	£1,236.00	3A	104491040XN	1.1	16.3
CO 350/15K/D	£1,297.00	3A	104491050XN	1.5	17.8
CO 500/15K/D	£1,316.00	3A	104491060XN	1.5	17.8
CO 500/22K/C	£1,436.00	3A	104302070XN	2.2	23
CO 500/30K/P	£1,504.00	3A	101820170XN	3	25
<b>Three phase 4 pole (400/3/50)</b>					
CO4 350/02K	£811.00	3A	107350520XN	0.2	9.5
CO4 500/03K	£891.00	3A	107350630XN	0.3	10.5



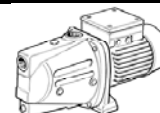
## Self priming pumps - Series BG

Type	Price	Family Code	Part Number	kW	kg
<b>Single phase (230/1/50)</b>					
BGM 3/A	£482.00	7G	107320000	0.37	10
BGM 5/A	£501.00	7G	107320010	0.55	12
BGM 7/A	£558.00	7G	107320020	0.75	13
BGM 9/A	£563.00	7G	107320030	0.9	13
BGM 11/A	£609.00	7G	107320040	1.1	16
<b>Three phase (400/3/50)</b>					
BG 3/A	£515.00	7G	107320060	0.37	10
BG 5/A	£527.00	7G	107320070	0.55	12
BG 7/D	£591.00	7G	104462020	0.75	16
BG 9/D	£595.00	7G	104462030	0.9	18
BG 11/D	£634.00	7G	104462040	1.1	18
<b>Single phase (110/1/50)</b>					
BGM5 110-1-50	£559.00	7G	107320010D	0.55	12



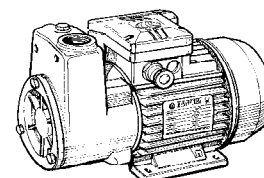
## Self priming pumps - Series JET

<b>Single phase (230/1/50)</b>					
JET 800M	£203.00	7E	UKN4176550	0.75	15
JET 1000M	£238.00	7E	UKN4173010	1.1	17



## Self priming pumps - Series SP

<b>Single phase (230/1/50)</b>					
SP5 (FPM as standard)	£425.00	7D	107500000XAA	0.55	11
SP7 (FPM as standard)	£453.00	7D	107500010XAA	0.75	12
<b>Three phase (400/3/50)</b>					
SP5T	£446.00	7D	107500030	0.55	11
SP7T/D	£449.00	7D	104450410	0.75	14.5
<b>Single phase (110/1/50)</b>					
SP5/A (FPM as standard)	£450.00	7D	107500000DAA	0.55	11
Extra for FPM elastomers (3 Phase)	£71.00				

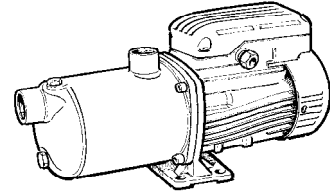




**Horizontal multistage pumps in stainless steel - Series HM**

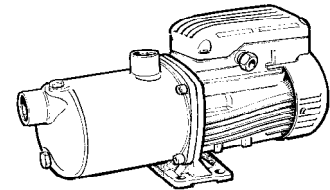
Thermoplastic impellers - maximum temperature 60°C

Type	Price	Family Code	Part Number	kW	kg
<b>Single phase (230/1/50)</b>					
2HM3/A	£421.00	7L	107300000	0.3	6.8
2HM4/A	£433.00	7L	107300010	0.45	7.7
2HM5/A	£442.00	7L	107300020	0.55	8.5
2HM7/A	£514.00	7L	107300030	0.75	12
4HM4/A	£421.00	7L	107300100	0.45	7.3
4HM5/A	£450.00	7L	107300110	0.55	8.1
4HM7/A	£499.00	7L	107300120	0.75	11.4
4HM9/A	£563.00	7L	107300130	0.9	11.6
<b>Three phase (400/3/50)</b>					
2HM3T/A	£380.00	7L	107300050	0.3	6.6
2HM4T/A	£396.00	7L	107300060	0.45	7.6
2HM5T/A	£424.00	7L	107300070	0.55	8.3
2HM7T/D	£467.00	7L	104460030	0.75	14
4HM4T/A	£383.00	7L	107300150	0.45	7.2
4HM5T/A	£425.00	7L	107300160	0.55	8
4HM7T/D	£483.00	7L	104460060	0.75	13.5
4HM9T/D	£545.00	7L	104460070	0.9	14


**Horizontal multistage pumps in 316 stainless steel - Series HMS**

Stainless steel impellers - maximum temperature 110°C

Type	Price	Family Code	Part Number	kW	kg
<b>Single phase (230/1/50)</b>					
2HMS3/A	£435.00	7L	107310000	0.3	7
2HMS4R/A	£480.00	7L	107310010	0.45	7.6
2HMS4/A	£519.00	7L	107310020	0.45	8
2HMS7/A	£601.00	7L	107310030	0.75	12
4HMS3/A	£437.00	7L	107310100	0.3	7
4HMS4/A	£480.00	7L	107310110	0.45	7.8
4HMS5/A	£534.00	7L	107310120	0.55	8.7
4HMS7/A	£620.00	7L	107310130	0.75	10
<b>Three phase (400/3/50)</b>					
2HMS3T/A	£410.00	7L	107310050	0.3	7
2HMS4RT/A	£467.00	7L	107310060	0.45	7.6
2HMS4T/A	£507.00	7L	107310070	0.45	8.2
2HMS7T/D	£595.00	7L	104460190	0.75	12
4HMS3T/A	£424.00	7L	107310150	0.3	6.8
4HMS4T/A	£468.00	7L	107310160	0.45	7.7
4HMS5T/A	£519.00	7L	107310170	0.55	8.5
4HMS7T/D	£585.00	7L	104460230	0.75	12.5


**Please note:**

Extra price for hard face seal	£194.00
Extra price for FPM elastomers	£134.00

**Teknospeed variable speed end suction pumps - Series TKS**

Single phase variable speed pumps for constant pressure

Supply: 230v (+/-10%) single phase 50Hz

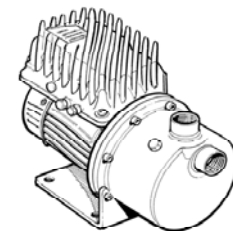
Type	Price	Family Code	Part Number	kW	kg
<b>Teknospeed/HMZ Pumps</b>					
TKS/2HM3ZT	£904.00	7N	107600135	0.3	9.6
TKS/2HM5ZT	£945.00	7N	107600155	0.55	11.4
TKS/2HM7ZT/D	£983.00	7N	104590115	0.75	19
TKS/4HM4ZT	£905.00	7N	107600175	0.45	10.1
TKS/4HM5ZT	£946.00	7N	107600185	0.55	10.9
TKS/4HM9ZT/D	£1,059.00	7N	104590155	0.9	20
TKS/4HMS7T/D	£1,104.00	7N	104590230	0.75	19
<b>Teknospeed/BG Pumps</b>					
TKS/BG7/D	£1,095.00	7N	104590275	0.75	20
TKS/BG11/D	£1,134.00	7N	104590295	1.1	21
<b>Teknospeed/CEA-CA</b>					
TKS/CEA80/5/D-V	£1,123.00	7N	104590335XAA	0.75	19
TKS/CEA120/5/D-V	£1,255.00	7N	104590355XAA	1.1	21
TKS/CA70/33/D-V	£1,156.00	7N	104590455XAA	0.75	22
*TKS/CA70/44/D-V	£1,298.00	7N	104590475XAA	1.1	24

\*Special product/pump for Teknospeed only

Please note that every unit is supplied complete with pump, integrated drive, pressure transmitter, cable & plug. To enable the pump to stop on zero demand, you must fit a NRV and pressure vessel (minimum size 8 litres) please add the following option:

Teknospeed Accessories (single pump)	Price	Family Code	Part Number
Teknospeed 8 litre Hydraulic Kit (supplied loose)	£134.00	9B	109391960

For complete single and twin pump Teknospeed booster sets please see price list section C (Clean Water Packaged Sets).



## Swimming pool pumps - Series AV / AG

Type	Price	Family Code	Part Number	kW	kg
<b>Single phase (230/1/50)</b>					
AV50-2DN-S (J50EC/02M)	£737.00	9M	UKAV502DNSLUK	0.25	11
AV75-2DN-S (J75EC/03M)	£798.00	9M	UKAV752DNSLUK	0.37	11
AV100-2DN-S (J100EC/05M)	£821.00	9M	UKAV1002DNSLUK	0.55	12
AV150-2DN-S (J150EC/07M)	£841.00	9M	UKAV1502DNSLUK	0.75	15
AV200-2DN-S (J200EC/11M)	£889.00	9M	UKAV2002DNSLUK	1.1	17
AV250-2DN-S (J250EC/15M)	£955.00	9M	UKAV2502DNSLUK	1.5	19
<b>Three phase (400/3/50)</b>					
AV50-3DN-S (J50EC/02T)	£737.00	9M	UKAV503DNSLUK	0.24	11
AV75-3DN-S (J75EC/03T)	£798.00	9M	UKAV753DNSLUK	0.37	11
AV100-3DN-S (J100EC/05T)	£821.00	9M	UKAV1003DNSLUK	0.55	12
AV150-3DN-S (J150EC/07T)	£841.00	9M	UKAV1503DN2LUK	0.75	15
AV200-3DN-S (J200EC/11T)	£889.00	9M	UKAV2003DN2LUK	1.1	17
AV250-3DN-S (J250EC/15T)	£955.00	9M	UKAV2503DN2LUK	1.5	19

**Please note:** All of the above pumps are supplied with 2" union sleeve and nut.

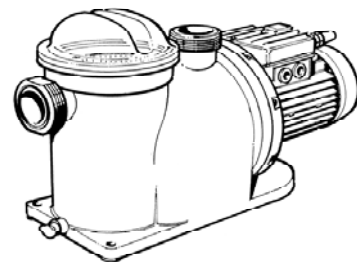
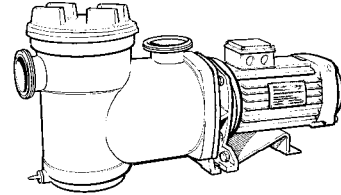
### Single phase (230/1/50)

AG8	£420.00	9M	UKAG82DCIMP	0.18	7
AG10	£453.00	9M	UKAG102DCIMP	0.25	7.2
AG14	£503.00	9M	UKAG142DCIMP	0.37	7.3
AG16	£549.00	9M	UKAG162DCIMP	0.5	7.4

Please note all AG pumps supplied with 2 metres of cable, 2" union sleeve & nut (no integral on/off switch)

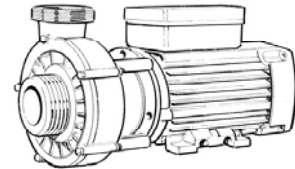
### Spare AG suction / discharge connections

1 1/2" Union sleeve	£18.00	9K	UK01525
2" Union sleeve	£18.00	9K	UK01526
Union nut	£15.00	9K	UK01527



## Whirlpool & Spa pumps - Series Magnaflow 440

Type	Price	Family Code	Part Number	kW	kg
<b>Single phase (230/1/50)</b>					
Standard	£610.00	9M	UK204409V2	1.5	10
Pneumatic	£637.00	9M	UK2044091V2	1.5	10
2-Speed	£782.00	9M	UK2044092V2	1.1	10



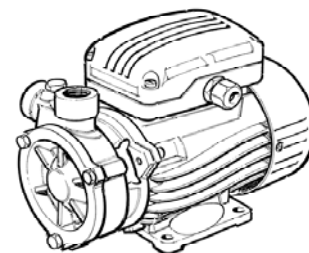
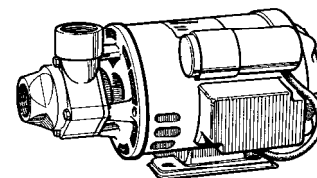
## Genesis Air Blowers

Type	Price	Family Code	Part Number	kW	kg
<b>Single phase (230/1/50)</b>					
Genesis 500W	£407.00	9M	UKG502NNS	0.50	10
Genesis 700W	£429.00	9M	UKG702NNS	0.75	10
Genesis 900W	£453.00	9M	UKG902NNS	0.90	10
Genesis 1200W	£466.00	9M	UKG1202NNS	1.20	10



**Peripheral pumps - Series P**

Type	Price	Family Code	Part Number	kW	kg
<b>Side Suction (single phase 230/1/50)</b>					
<b>Bronze</b>					
PABLBM15	£270.00	7C	101110510	0.37	7.5
<b>End Suction (single phase 230/1/50)</b>					
PABM15	£270.00	7C	101110500	0.37	7.5
<b>Single phase (230/1/50)</b>					
<b>Cast Iron</b>					
PM 16	£234.00	7B	101110190	0.3	8.5
PM 21	£359.00	7C	101110115	0.37	9.5
PM 30	£480.00	7C	107490530	0.5	9.7
PM 40	£559.00	7C	107490540	0.6	10.2
PM 60	£731.00	7C	107490100	1.1	15.5
PM 70	£926.00	7C	107490120	0.75	14.5
<b>Three phase (400/3/50)</b>					
<b>Cast Iron</b>					
P 16	£234.00	7C	101130010	0.3	8.5
P 21	£359.00	7C	101130030	0.37	9.5
P 30	£480.00	7C	107490580	0.5	9.7
P 40/D	£559.00	7C	104450030	0.6	10
P 60/D	£731.00	7C	104450040	1.1	13
P 70/D	£926.00	7C	104450050	0.75	14.5
<b>Single phase (230/1/50)</b>					
<b>Bronze</b>					
PMB 16	£351.00	7B	101115410	0.3	8.5
PMB 21	£485.00	7C	101116145	0.37	9.5
<b>Three phase (400/3/50)</b>					
<b>Bronze</b>					
PB 16	£351.00	7C	101111040	0.3	8.5
PB 21	£485.00	7C	101112000	0.37	9.5
<b>High head PSA pumps</b>					
<b>Cast Iron (with brass inserts)</b>					
PSAM70/A (230/1/50)	£515.00	7C	107490000XXXNBR	0.37	7.5
PSA70/A (400/3/50)	£490.00	7C	107490020	0.37	7.5


**Please note:**

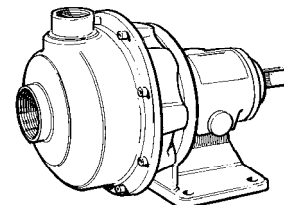
Bronze pumps produce duties which are approximately 5% under those stated for cast iron duties.

Pumps can be offered for higher liquid temperatures from P16 to P40 sizes only:

water to 70°C / FPM elastomers	£130.00	list adder
water to 140°C	£206.00	list adder
oil to 200°C	£206.00	list adder

**Frame mounted pumps in 304 stainless steel - Series CEF / COF**

Type	Price	Family Code	Part Number	kg
CEF70	£1,209.00	7H	N/A	12
CEF80	£1,209.00	7H	N/A	12
CEF120	£1,209.00	7H	N/A	12
CEF210	£1,251.00	7H	N/A	14
CEF370	£1,251.00	7H	N/A	16
COF350	£1,338.00	3A	N/A	14
COF500	£1,422.00	3A	N/A	16

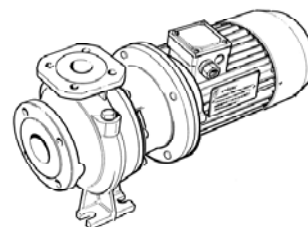

**Please note:**

Price for bareshaft only.

On CEF / COF series part numbers change with impeller diameters, please refer to sales office for details.

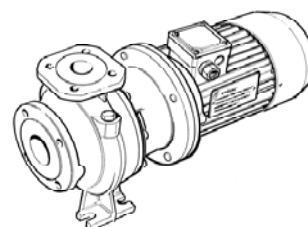
## End suction centrifugal pumps in cast iron - Series FHEM

Type	Price	Family Code	Part Number	Seal Code	kW	kg
<b>2850rpm Single phase (240/1/50)</b>						
FHEM 32-125/07/A	£863.00	3G	107440510	1	0.75	28
FHEM 32-125/11/A	£895.00	3G	107440520	1	1.1	29
FHEM 32-160/15/A	£1,050.00	3G	107440530	1	1.5	35
FHEM 32-160/22/P	£1,069.00	3G	101394540	1	2.2	37
flange kit	£66.00	9B	109390461			
FHEM 40-125/11/A	£920.00	3G	107440550	1	1.1	32
FHEM 40-125/15/A	£1,001.00	3G	107440560	1	1.5	34
FHEM 40-125/22/P	£1,017.00	3G	101394570	1	2.2	36
flange kit	£71.00	9B	109390471			
FHEM 50-125/22/P	£1,083.00	3G	101394580	1	2.2	38
flange kit	£74.00	9B	109390481			



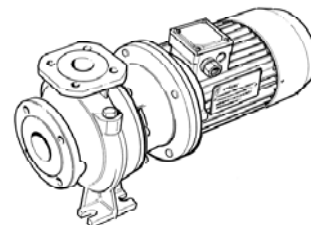
## End suction centrifugal pumps in cast iron - Series FHE

Type	Price	Family Code	Part Number	Seal Code	kW	kg
<b>2900rpm Three phase (400/3/50)</b>						
FHE 32-125/07/D	£834.00	3G	104500000	1	0.75	28.6
FHE 32-125/11/D	£882.00	3G	104500010	1	1.1	29.6
FHE 32-160/15/D	£978.00	3G	104500020	1	1.5	32.4
FHE 32-160/22/C	£1,028.00	3G	104310080	1	2.2	39
FHE 32-200/30/P	£1,152.00	3G	101390060	1	3	47
FHE 32-200/40/P	£1,289.00	3G	101390070	1	4	54
2FHE 32-250/55/P**	£1,799.00	3G	101390090	1	5.5	72
2FHE 32-250/75/P**	£1,908.00	3G	101390100	1	7.5	76
flange kit	£66.00	9B	109390461			
FHE 40-125/11/D	£834.00	3G	104500080	1	1.1	32
FHE 40-125/15/D	£953.00	3G	104500090	1	1.5	32.4
FHE 40-125/22/C	£994.00	3G	104310110	1	2.2	38
FHE 40-160/30/P	£1,101.00	3G	101390180	1	3	40
FHE 40-160/40/P	£1,278.00	3G	101390190	1	4	47
FHE 40-200/55/P	£1,728.00	3G	101390210	1	5.5	62
FHE 40-200/75/P	£1,966.00	3G	101390220	1	7.5	79
FHE 40-250/92/P	£2,278.00	3G	101390230	1	9.2	96
FHE 40-250/110/P	£2,278.00	3G	101390240	1	11	104
FHE 40-250/150/P	£2,761.00	3G	101390250	2	15	128
flange kit	£71.00	9B	109390471			
FHE 50-125/22/C	£1,046.00	3G	104310120	1	2.2	42
FHE 50-125/30/P	£1,069.00	3G	101390290	1	3	43
FHE 50-125/40/P	£1,246.00	3G	101390300	1	4	50
FHE 50-160/55/P	£1,576.00	3G	101390310	1	5.5	67
FHE 50-160/75/P	£1,926.00	3G	101390320	1	7.5	70
FHE 50-200/92/P	£2,340.00	3G	101390330	1	9.2	85
FHE 50-200/110/P	£2,340.00	3G	101390340	1	11	94
FHE 50-250/150/P	£3,253.00	3G	101390350	2	15	142
FHE 50-250/185/P	£4,030.00	3G	101390360	2	18.5	153
FHE 50-250/220/P	£4,105.00	3G	101390370	2	22	164
flange kit	£74.00	9B	109390481			
FHE 65-125/40/P	£1,342.00	3G	101390410	1	4	64
FHE 65-125/55/P	£1,536.00	3G	101390420	1	5.5	72
FHE 65-125/75/P	£1,892.00	3G	101390430	1	7.5	76
FHE 65-160/92/P*	£2,381.00	3H	101390450	1	9.2	97
FHE 65-160/110/P*	£2,381.00	3H	101390460	2	11	104
FHE 65-160/150/P*	£2,773.00	3H	101390470	2	15	145
FHE 65-200/150/P*	£3,371.00	3H	101390490	2	15	145
FHE 65-200/185/P*	£3,479.00	3H	101390500	2	18.5	158
FHE 65-200/220/P*	£3,934.00	3H	101390510	2	22	168
FHE 65-250/220/P*	£4,021.00	3H	101390520	2	22	170
flange kit	£84.00	9B	109390491			



## End suction centrifugal pumps in cast iron - Series FHE / FHS

Type	Price	Family Code	Part Number	Seal Code	kW	kg
<b>2900rpm Three phase (400/3/50)</b>						
FHE 80-160/110/P*	<b>£2,619.00</b>	3H	101390560	2	11	111
FHE 80-160/150/P*	<b>£2,827.00</b>	3H	101390570	2	15	149
FHE 80-160/185/P*	<b>£3,528.00</b>	3H	101390580	2	18.5	149
FHE 80-200/220/P*	<b>£4,022.00</b>	3H	101390610	2	22	174
flange kit	<b>£94.00</b>	9B	109390501			
FHS65-250/300*	<b>£4,599.00</b>	3H	104310310	2	30	296
FHS65-250/370*	<b>£4,844.00</b>	3H	104310320	2	37	325
FHS80-200/300*	<b>£4,599.00</b>	3H	104310350	2	30	295
FHS80-250/370*	<b>£4,978.00</b>	3H	104310360	2	37	320
FHS80-250/450*	<b>£7,114.00</b>	3H	104310370	3	45	424
FHS80-250/550*	<b>£8,425.00</b>	3H	104310380	3	55	499
FHS 100-160/185/P*	<b>£4,034.00</b>	3H	703320012	4	18.5	230
FHS 100-160/220/P*	<b>£4,154.00</b>	3H	703320022	4	22	236
FHS 100-160/300*	<b>£4,717.00</b>	3H	703320032	4	30	436
FHS 100-200/300*	<b>£5,058.00</b>	3H	703320042	4	30	444
FHS 100-200/370*	<b>£5,176.00</b>	3H	703320052	4	37	467



**Please note:**

Units marked (\*) available with bronze impeller (FHBS), extra **£407.00** list adder

Maximum temperature 85°C (120°C available on request).

Flange kit includes : 2 mounting flanges in mild steel, nuts, bolts and washers.

Units marked (\*\*) have screwed connections

Extra list price for hard face mechanical seal:

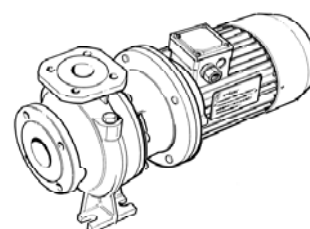
Code 1 **£291.00** Code 2 **£341.00** Code 3 **£408.00** Code 4 **£469.00** Code 5 **£508.00**

Extra price for FPM or EPDM seals and o-rings:

Code 1 **£219.00** Code 2 **£236.00** Code 3 **£274.00** Code 4 **£299.00** Code 5 **£317.00**

## End suction centrifugal pumps in cast iron - Series FHE4 / FHS4

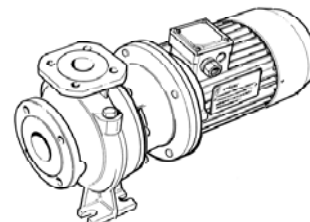
Type	Price	Family Code	Part Number	Seal Code	kW	kg
<b>1450rpm Three phase (400/3/50)</b>						
FHE4 32-125/02A/A	£808.00	3G	107440600	1	0.25	25
FHE4 32-125/02	£808.00	3G	107440610	1	0.25	25
FHE4 32-160/02	£830.00	3G	107440620	1	0.25	26
FHE4 32-160/03	£858.00	3G	107440630	1	0.37	26
FHE4 32-200/03	£925.00	3G	107440640	1	0.37	35
FHE4 32-200/05	£1,013.00	3G	107440650	1	0.55	38
2FHE4 32-250/07/P**	£1,187.00	3G	101395090	1	0.75	47
2FHE4 32-250/11/P**	£1,247.00	3G	101395100	1	1.1	49
flange kit	£66.00	9B	109390461			
FHE4 40-125/02A/A	£812.00	3G	107440670	1	0.25	25
FHE4 40-125/02	£812.00	3G	107440680	1	0.25	25
FHE4 40-125/03	£830.00	3G	107440690	1	0.37	25
FHE4 40-160/03	£900.00	3G	107440700	1	0.37	27
FHE4 40-160/05	£959.00	3G	107440710	1	0.55	29
FHE4 40-200/07/C	£1,104.00	3G	104312000	1	0.75	45
FHE4 40-200/11/P	£1,136.00	3G	101395210	1	1.1	46
FHE4 40-250/11/P	£1,357.00	3G	101395230	1	1.1	52
FHE4 40-250/15/P	£1,422.00	3G	101395240	1	1.5	55
FHE4 40-250/22/P	£1,528.00	3G	101395250	2	2.2	67
flange kit	£71.00	9B	109390471			
FHE4 50-125/03A/A	£887.00	3G	107440740	1	0.37	29
FHE4 50-125/03	£887.00	3G	107440750	1	0.37	29
FHE4 50-125/05	£901.00	3G	107440760	1	0.55	32
FHE4 50-160/07/C	£1,091.00	3G	104312050	1	0.75	47
FHE4 50-160/11/P	£1,124.00	3G	101395320	1	1.1	50
FHE4 50-200/11/P	£1,334.00	3G	101395330	1	1.1	50
FHE4 50-200/15/P	£1,394.00	3G	101395340	1	1.5	51
FHE4 50-250/22A/P	£1,534.00	3G	101395350	2	2.2	69
FHE4 50-250/22/P	£1,534.00	3G	101395360	2	2.2	69
FHE4 50-250/30/P	£1,623.00	3G	101395370	2	3	75
flange kit	£74.00	9B	109390481			
FHE4 65-125/05	£921.00	3G	107440790	1	0.55	46
FHE4 65-125/07/C	£943.00	3G	104312100	1	0.75	46
FHE4 65-125/11/P	£946.00	3G	101395420	1	1.1	49
FHE4 65-160/11/P*	£1,114.00	3H	101395450	1	1.1	58
FHE4 65-160/15/P*	£1,179.00	3H	101395460	2	1.5	66
FHE4 65-160/22/P*	£1,212.00	3H	101395470	2	2.2	64
FHE4 65-200/15/P*	£1,314.00	3H	101395480	2	1.5	59
FHE4 65-200/22/P*	£1,361.00	3H	101395490	2	2.2	64
FHE4 65-200/30/P*	£1,389.00	3H	101395500	2	3	78
FHE4 65-250/30/P*	£1,445.00	3H	101395510	2	3	78
FHE4 65-250/40/P*	£1,490.00	3H	101395520	2	4	105
FHE4 65-250/55/P*	£1,802.00	3H	101395530	2	5.5	111
flange kit	£84.00	9B	109390491			
FHE4 80-160/15/P*	£1,287.00	3H	101395560	2	1.5	71
FHE4 80-160/22/P*	£1,360.00	3H	101395570	2	2.2	74
FHE4 80-200/30/P*	£1,439.00	3H	101395590	2	3	81
FHE4 80-200/40/P*	£1,559.00	3H	101395600	2	4	89
FHE4 80-250/40/P*	£1,684.00	3H	101395620	2	4	97
FHE4 80-250/55/P*	£1,981.00	3H	101395630	3	5.5	108
FHE4 80-250/75/P*	£2,105.00	3H	101395640	3	7.5	118
flange kit	£94.00	9B	109390501			
FHS4 65-315/75/P*	£2,668.00	3H	703321012	4	7.5	150
FHS4 65-315/110/P*	£2,955.00	3H	703321022	4	11	176
FHS4 80-315/75/P*	£3,644.00	3H	703390140	4	7.5	200
FHS4 80-315/110/P*	£3,821.00	3H	703321032	4	11	218
FHS4 80-315/150/P*	£4,103.00	3H	703321042	4	15	238





## End suction centrifugal pumps in cast iron - Series FHS4

Type	Price	Family Code	Part Number	Seal Code	kW	kg
<b>1450rpm Three phase (400/3/50)</b>						
FHS4 100-160/30/P*	<b>£2,509.00</b>	3H	703321052	4	3	110
FHS4 100-200/40/P*	<b>£2,711.00</b>	3H	703321062	4	4	116
FHS4 100-200/55/P*	<b>£2,844.00</b>	3H	703321072	4	5.5	131
FHS4 100-250/75/P*	<b>£3,077.00</b>	3H	703321082	4	7.5	171
FHS4 100-250/110/P*	<b>£3,509.00</b>	3H	703321092	4	11	215
FHS4 100-315/150/P*	<b>£4,207.00</b>	3H	703321102	4	15	247
FHS4 100-315/185*	<b>£4,758.00</b>	3H	703321112	4	18.5	346
FHS4 100-315/220*	<b>£5,122.00</b>	3H	703321122	4	22	356
FHS4 125-200/55/P*	<b>£3,523.00</b>	3H	703321132	5	5.5	162
FHS4 125-200/75/P*	<b>£3,694.00</b>	3H	703321142	5	7.5	175
FHS4 125-250/110/P*	<b>£3,748.00</b>	3H	703321152	4	11	217
FHS4 125-250/150/P*	<b>£4,027.00</b>	3H	703321162	4	15	237
FHS4 125-250/185*	<b>£4,758.00</b>	3H	703321172	4	18.5	337
FHS4 125-315/220*	<b>£5,570.00</b>	3H	703321182	5	22	408
FHS4 125-315/300*	<b>£6,171.00</b>	3H	703321192	5	30	505
FHS4 150-250/150/P*	<b>£5,162.00</b>	3H	703321202	5	15	300
FHS4 150-250/185*	<b>£5,677.00</b>	3H	703321212	5	18.5	399
FHS4 150-250/220*	<b>£5,910.00</b>	3H	703321222	5	22	409
FHS4 150-250/300*	<b>£6,514.00</b>	3H	703321232	5	30	506
FHS4 150-315/300*	<b>£6,771.00</b>	3H	703321242	5	30	524



**Please note:**

Units marked (\*) available with bronze impeller (FHBS), extra **£407.00** list adder

Maximum temperature 85°C (120°C available on request).

Flange kit includes : 2 mounting flanges in mild steel, nuts, bolts and washers.

Units marked (\*\*) have screwed connections

Extra list price for hard face mechanical seal:

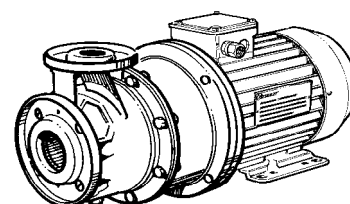
Code 1 **£291.00** Code 2 **£341.00** Code 3 **£408.00** Code 4 **£469.00** Code 5 **£508.00**

Extra price for FPM or EPDM seals and o-rings:

Code 1 **£219.00** Code 2 **£236.00** Code 3 **£274.00** Code 4 **£299.00** Code 5 **£317.00**

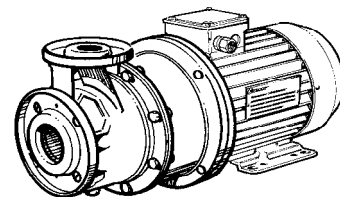
## End suction centrifugal pumps in 316 stainless steel - Series SHE

Type	Price	Family Code	Part Number	kW	kg
<b>2900rpm Three phase (400/3/50)</b>					
SHE 25-125/07/D	£1,223.00	3C	104520000	0.75	18.6
SHE 25-125/11/D	£1,284.00	3C	104520010	1.1	20.6
SHE 25-160/15/D	£1,318.00	3C	104520020	1.5	24.4
SHE 25-160/22/C	£1,406.00	3C	104330040	2.2	29
SHE 25-200/30/P	£1,581.00	3C	101290004	3	38
SHE 25-200/40/P	£1,731.00	3C	101290005	4	41
SHE 25-250/55/P	£2,048.00	3C	101290010	5.5	66
SHE 25-250/75/P	£2,439.00	3C	101290011	7.5	84
SHE 25-250/110/P	£3,264.00	3C	101290012	11	92
SHE 32-125/07/D	£1,223.00	3C	104520090	0.75	18.6
SHE 32-125/11/D	£1,284.00	3C	104520100	1.1	20.6
SHE 32-160/15/D	£1,318.00	3C	104520110	1.5	24.4
SHE 32-160/22/C	£1,406.00	3C	104330080	2.2	29
SHE 32-200/30/P	£1,581.00	3C	101290060	3	38
SHE 32-200/40/P	£1,731.00	3C	101290070	4	41
SHE 32-250/55/P	£2,048.00	3C	101290090	5.5	66
SHE 32-250/75/P	£2,439.00	3C	101290100	7.5	84
SHE 32-250/110/P	£3,264.00	3C	101290110	11	92
SHE 40-125/11/D	£1,297.00	3C	104520180	1.1	21.6
SHE 40-125/15/D	£1,320.00	3C	104520190	1.5	22.4
SHE 40-125/22/C	£1,377.00	3C	104330110	2.2	30
SHE 40-160/30/P	£1,670.00	3C	101290180	3	32
SHE 40-160/40/P	£1,750.00	3C	101290190	4	40
SHE 40-200/55/P	£2,018.00	3C	101290210	5.5	52
SHE 40-200/75/P	£2,316.00	3C	101290220	7.5	65
SHE 40-250/92/P	£3,320.00	3C	101290230	9.2	89
SHE 40-250/110/P	£3,320.00	3C	101290240	11	94
SHE 40-250/150/P	£3,704.00	3C	101290250	15	130
SHE 50-125/22/C	£1,569.00	3C	104330120	2.2	30
SHE 50-125/30/P	£1,620.00	3C	101290290	3	33
SHE 50-125/40/P	£1,693.00	3C	101290300	4	40
SHE 50-160/55/P	£1,925.00	3C	101290310	5.5	52
SHE 50-160/75/P	£2,269.00	3C	101290320	7.5	67
SHE 50-200/92/P	£3,296.00	3C	101290330	9.2	84
SHE 50-200/110/P	£3,296.00	3C	101290340	11	88
SHE 50-250/150/P	£4,034.00	3C	101290350	15	131
SHE 50-250/185/P	£4,561.00	3C	101290360	18.5	144
SHE 50-250/220/P	£4,949.00	3C	101290370	22	147
SHE 65-160/40/P	£1,921.00	3C	101290410	4	56
SHE 65-160/55/P	£2,056.00	3C	101290420	5.5	63
SHE 65-160/75/P	£2,417.00	3C	101290430	7.5	80
SHE 65-160/92/P	£3,396.00	3D	101290450	11	95
SHE 65-160/110/P	£3,396.00	3D	101290460	11	102
SHE 65-200/150/P	£4,391.00	3D	101290490	15	131
SHE 65-200/185/P	£4,865.00	3D	101290500	18.5	141
SHE 65-200/220/P	£5,319.00	3D	101290510	22	151
SHS 65-250/300	£6,484.00	3D	104330600	30	290
SHS 65-250/370	£7,344.00	3D	104330610	37	322
SHE 80-160/110/P	£3,617.00	3D	101290570	11	94
SHE 80-160/150/P	£4,303.00	3D	101290580	15	128
SHE 80-160/185/P	£4,646.00	3D	101290590	18.5	139
SHE 80-200/220/P	£5,581.00	3D	101290610	22	156
SHS 80-200/300	£6,712.00	3D	104330640	30	312
SHS 80-200/370	£7,664.00	3D	104330650	37	317
<b>SHE/SHS flange kits</b>					
SH 25	£167.00	9B	109390511		
SH 32	£176.00	9B	109390521		
SH 40	£206.00	9B	109390531		
SH 50	£217.00	9B	109390541		
SH 65	£298.00	9B	109390551		
SH 80	£356.00	9B	109390561		



**End suction centrifugal pumps in 316 stainless steel - Series SHE4**

Type	Price	Family Code	Part Number	kW	kg
<b>1450rpm Three phase (400/3/50)</b>					
SHE4 25-125/02A (reduced impeller)	£1,287.00	3C	107410600	0.25	15
SHE4 25-125/02	£1,287.00	3C	107410610	0.25	16
SHE4 25-160/02	£1,320.00	3C	107410620	0.25	18
SHE4 25-160/03	£1,339.00	3C	107410630	0.37	19
SHE4 25-200/03	£1,389.00	3C	107410640	0.37	26
SHE4 25-200/05	£1,450.00	3C	107410650	0.55	27
SHE4 25-250/07/C	£1,659.00	3C	104332100	0.75	41
SHE4 25-250/11/P	£2,324.00	3C	101295011	1.1	43
SHE4 25-250/15/P	£2,435.00	3C	101295012	1.5	44
SHE4 32-125/02A (reduced impeller)	£1,287.00	3C	107410680	0.25	15
SHE4 32-125/02	£1,287.00	3C	107410690	0.25	16
SHE4 32-160/02	£1,320.00	3C	107410700	0.25	18
SHE4 32-160/03	£1,339.00	3C	107410710	0.37	19
SHE4 32-200/03	£1,389.00	3C	107410720	0.37	26
SHE4 32-200/05	£1,450.00	3C	107410730	0.55	27
SHE4 32-250/07/C	£1,659.00	3C	104332150	0.75	41
SHE4 32-250/11/P	£2,324.00	3C	101295100	1.1	43
SHE4 32-250/15/P	£2,435.00	3C	101295110	1.5	44
SHE4 40-125/02A (reduced impeller)	£1,304.00	3C	107410760	0.25	16
SHE4 40-125/02	£1,304.00	3C	107410770	0.25	17
SHE4 40-125/03	£1,339.00	3C	107410780	0.37	18
SHE4 40-160/03	£1,386.00	3C	107410790	0.37	20
SHE4 40-160/05	£1,422.00	3C	107410800	0.55	24
SHE4 40-200/07/C	£1,564.00	3C	104332220	0.75	30
SHE4 40-200/11/P	£1,769.00	3C	101295210	1.1	31
SHE4 40-250/11/P	£2,420.00	3C	101295230	1.1	45
SHE4 40-250/15/P	£2,468.00	3C	101295240	1.5	58
SHE4 40-250/22/P	£2,574.00	3C	101295250	2.2	59
SHE4 50-125/03A (reduced impeller)	£1,358.00	3C	107410830	0.37	20
SHE4 50-125/03	£1,358.00	3C	107410840	0.37	20
SHE4 50-125/05	£1,437.00	3C	107410850	0.55	26
SHE4 50-160/07/C	£1,596.00	3C	104332240	0.75	29
SHE4 50-160/11/P	£1,673.00	3C	101295320	1.1	30
SHE4 50-200/11/P	£1,800.00	3C	101295330	1.1	43
SHE4 50-200/15/P	£1,862.00	3C	101295340	1.5	46
SHE4 50-250/22A/P (reduced impeller)	£2,654.00	3C	101295350	2.2	49
SHE4 50-250/22/P	£2,654.00	3C	101295360	2.2	50
SHE4 50-250/30/P	£2,815.00	3C	101295370	3	56
SHE4 65-160/05	£1,560.00	3C	107410880	0.55	34
SHE4 65-160/07/C	£1,666.00	3C	104332260	0.75	37
SHE4 65-160/11A/P (reduced impeller)	£1,724.00	3C	101295420	1.1	40
SHE4 65-160/11/P	£1,724.00	3D	101295430	1.1	42
SHE4 65-160/15/P	£1,746.00	3D	101295460	1.5	45
SHE4 65-200/15/P	£2,445.00	3D	101295480	1.5	48
SHE4 65-200/22/P	£2,781.00	3D	101295490	2.2	62
SHE4 65-200/30/P	£2,815.00	3D	101295500	3	63
SHS4 65-250/40/P	£3,011.00	3D	101295520	4	77
SHS4 65-250/55/P	£3,239.00	3D	101295530	5.5	85
SHE4 80-160/15/P	£3,375.00	3D	101295560	1.5	53
SHE4 80-160/22A/P (reduced impeller)	£3,549.00	3D	101295570	2.2	58
SHE4 80-160/22/P	£3,549.00	3D	101295580	2.2	58
SHE4 80-200/30/P	£3,609.00	3D	101295590	3	63
SHE4 80-200/40/P	£4,146.00	3D	101295600	4	68
SHE4 80-250/55/P	£4,266.00	3D	101295630	5.5	98
SHE4 80-250/75/P	£4,462.00	3D	101295640	7.5	100
SHE4 80-250/110/P	£4,590.00	3D	101295650	9.2	102



**Please note:**

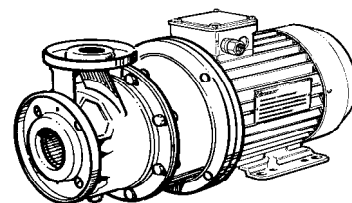
All SH units are supplied with FPM seals & o-rings as standard.

Extra price for hard face mechanical seal **£323.00** list.

All SH pumps can be supplied fitted with WRAS approved seals on request. Extra price **£339.00** list.

## End suction open impeller pumps in 316 stainless steel - Series SHO

Type	Price	Family Code	Part Number	kW	kg
<b>2900rpm Three phase (400/3/50)</b>					
SHOE 25-125/11/D	£1,303.00	3B	104526500	1.1	22
SHOE 25-125/15/D	£1,348.00	3B	104526510	1.5	23
SHOE 25-125/22/C	£1,363.00	3B	104333030	2.2	28
SHOE 25-160/30/P	£1,711.00	3B	101351030	3	33
SHOE 25-160/40/P	£1,764.00	3B	101351040	4	40
SHOE 25-160/55/P	£2,075.00	3B	101351050	5.5	48
SHOE 25-200/30/P	£1,824.00	3B	101351060	3	36
SHOE 25-200/40/P	£1,875.00	3B	101351070	4	42
SHOE 25-200/55/P	£2,187.00	3B	101351080	5.5	51
SHOE 32-125/11/D	£1,303.00	3B	104526590	1.1	22
SHOE 32-125/15/D	£1,348.00	3B	104526600	1.5	23
SHOE 32-125/22/C	£1,363.00	3B	104333060	2.2	28
SHOE 32-160/30/P	£1,711.00	3B	101350030	3	33
SHOE 32-160/40/P	£1,764.00	3B	101350040	4	40
SHOE 32-160/55/P	£2,075.00	3B	101350050	5.5	48
SHOE 32-200/30/P	£1,824.00	3B	101350060	3	36
SHOE 32-200/40/P	£1,875.00	3B	101350070	4	42
SHOE 32-200/55/P	£2,187.00	3B	101350080	5.5	51
SHOE 40-125/15/D	£1,348.00	3B	104526680	1.5	24
SHOE 40-125/22/C	£1,500.00	3B	104333080	2.2	29
SHOE 40-125/30/P	£1,693.00	3B	101350110	3	32
SHOE 40-160/40/P	£1,770.00	3B	101350120	4	41
SHOE 40-160/55/P	£2,111.00	3B	101350130	5.5	49
SHOE 40-160/75/P	£2,175.00	3B	101350140	7.5	64
SHOE 50-125/55/P	£2,133.00	3B	101350150	5.5	49
SHOE 50-125/75/P	£2,221.00	3B	101350160	7.5	60
SHOE 50-160/92/P	£3,169.00	3B	101350170	9.2	63
SHOE 50-160/110/P	£3,201.00	3B	101350180	11	65
<b>1450rpm Three phase (400/3/50)</b>					
SHOE4 25-125/03	£1,254.00	3B	107511120	0.37	19
SHOE4 25-160/03	£1,281.00	3B	107511130	0.37	23
SHOE4 25-160/05	£1,298.00	3B	107511140	0.55	25
SHOE4 25-160/07/C	£1,313.00	3B	104333600	0.75	26
SHOE4 25-200/07/C	£1,421.00	3B	104333610	0.75	29
SHOE4 32-125/03	£1,254.00	3B	107510220	0.37	19
SHOE4 32-160/03	£1,281.00	3B	107510230	0.37	23
SHOE4 32-160/05	£1,298.00	3B	107510240	0.55	25
SHOE4 32-160/07/C	£1,313.00	3B	104333620	0.75	26
SHOE4 32-200/07/C	£1,421.00	3B	104333630	0.75	29
SHOE4 40-125/03	£1,265.00	3B	107510310	0.37	21
SHOE4 40-160/05	£1,345.00	3B	107510320	0.55	26
SHOE4 40-160/07/C	£1,387.00	3B	104333640	0.75	26
SHOE4 40-160/11/P	£1,551.00	3B	101350340	1.1	25
SHOE4 50-125/07/C	£1,403.00	3B	104333650	0.75	27
SHOE4 50-125/11/P	£1,583.00	3B	101350390	1.1	28
SHOE4 50-160/11/P	£1,593.00	3B	101350400	1.1	29
SHOE4 50-160/15/P	£1,644.00	3B	101350410	1.5	31
<b>SHOE flange kits</b>					
SH 25	£167.00	9B	109390511		
SH 32	£176.00	9B	109390521		
SH 40	£206.00	9B	109390531		
SH 50	£217.00	9B	109390541		

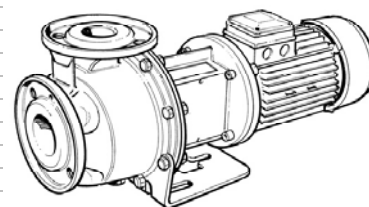


**Please note:**

All SHO units are supplied with silicon carbide / silicon carbide / FPM mechanical seals & FPM o-rings as standard.

**End suction pumps with open impeller and double mechanical seals in 316 stainless steel - Series SHOD**

Type	Price	Family Code	Part Number	kW	kg
<b>2900rpm Three phase (400/3/50)</b>					
SHOD 25-125/11/D	£1,611.00	3B	104527420	1.1	28
SHOD 25-125/15/D	£1,646.00	3B	104527430	1.5	29
SHOD 25-125/22/C	£1,662.00	3B	104333420	2.2	35
SHOD 25-160/30/P	£1,987.00	3B	101352030	3	44
SHOD 25-160/40/P	£2,029.00	3B	101352040	4	49
SHOD 25-160/55/P	£2,334.00	3B	101352050	5.5	61
SHOD 25-200/30/P	£2,075.00	3B	101352060	3	46
SHOD 25-200/40/P	£2,123.00	3B	101352070	4	52
SHOD 25-200/55/P	£2,431.00	3B	101352080	5.5	65
SHOD 32-125/11/D	£1,611.00	3B	104527510	1.1	28
SHOD 32-125/15/D	£1,646.00	3B	104527520	1.5	29
SHOD 32-125/22/C	£1,662.00	3B	104333450	2.2	35
SHOD 32-160/30/P	£1,987.00	3B	101352120	3	44
SHOD 32-160/40/P	£2,029.00	3B	101352130	4	49
SHOD 32-160/55/P	£2,334.00	3B	101352140	5.5	61
SHOD 32-200/30/P	£2,075.00	3B	101352150	3	46
SHOD 32-200/40/P	£2,123.00	3B	101352160	4	52
SHOD 32-200/55/P	£2,431.00	3B	101352170	5.5	65
SHOD 40-125/15/D	£1,662.00	3B	104527600	1.5	29
SHOD 40-125/22/C	£1,987.00	3B	104333470	2.2	35
SHOD 40-125/30/P	£2,029.00	3B	101352200	3	41
SHOD 40-160/40/P	£2,334.00	3B	101352210	4	51
SHOD 40-160/55/P	£2,368.00	3B	101352220	5.5	65
SHOD 40-160/75/P	£2,423.00	3B	101352230	7.5	82
SHOD 50-125/55/P	£2,389.00	3B	101352240	5.5	65
SHOD 50-125/75/P	£2,469.00	3B	101352250	7.5	83
SHOD 50-160/110A/P	£3,312.00	3B	101352260	11	120
SHOD 50-160/110/P	£3,312.00	3B	101352270	11	120



**1450rpm Three phase (400/3/50)**

SHOD4 25-125/03	£1,538.00	3B	107512320	0.37	26
SHOD4 25-160/03	£1,557.00	3B	107512330	0.37	29
SHOD4 25-160/05	£1,571.00	3B	107512340	0.55	29
SHOD4 25-160/07/C	£1,588.00	3B	104333900	0.75	30
SHOD4 25-200/07/C	£1,674.00	3B	104333910	0.75	33
SHOD4 32-125/03	£1,538.00	3B	107512410	0.37	26
SHOD4 32-160/03	£1,557.00	3B	107512420	0.37	29
SHOD4 32-160/05	£1,571.00	3B	107512430	0.55	29
SHOD4 32-160/07/C	£1,588.00	3B	104333920	0.75	30
SHOD4 32-200/07/C	£1,674.00	3B	104333930	0.75	33
SHOD4 40-125/03	£1,571.00	3B	107512500	0.37	26
SHOD4 40-160/05	£1,588.00	3B	107512510	0.55	29
SHOD4 40-160/07/C	£1,674.00	3B	104333940	0.75	30
SHOD4 40-160/11/P	£1,745.00	3B	101352530	1.1	32
SHOD4 50-125/07/C	£1,745.00	3B	104333950	0.75	31
SHOD4 50-125/11/P	£1,785.00	3B	101352580	1.1	32
SHOD4 50-160/11/P	£1,787.00	3B	101352590	1.1	33
SHOD4 50-160/15/P	£1,845.00	3B	101352600	1.5	35

**SHOD flange kits**

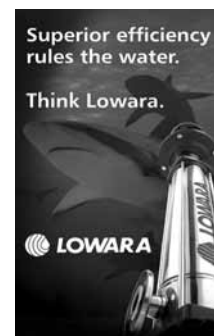
SH 25	£167.00	9B	109390511
SH 32	£176.00	9B	109390521
SH 40	£206.00	9B	109390531
SH 50	£217.00	9B	109390541

**Please note:**

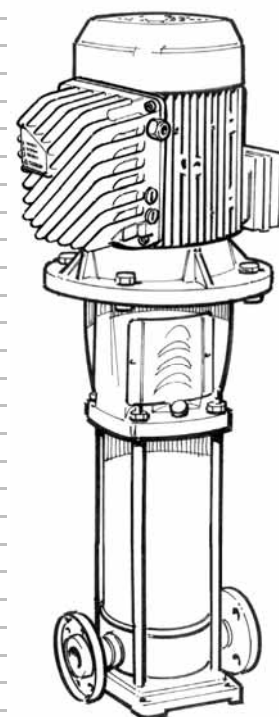
All SHOD units supplied with silicon carbide / silicon carbide / FPM inboard and carbon / ceramic outboard mechanical seals & FPM o-rings as standard.

## Teknospeed variable speed vertical multistage pumps - Series TKS/SV

Single phase variable speed pumps for constant pressure  
 Supply: 230v (+/-10%) single phase 50Hz  
 Single pump or dual pump operation  
 Pressure feedback: pressure transducer (4-20mA)



Type	Price	Family Code	Part Number	kW	kg
'F' in-line round ports, other port configurations available on request.					
TKS/1SV02F003T	£1,173.00	7N	107607011	0.37	16
TKS/1SV03F003T	£1,192.00	7N	107607021	0.37	16.4
TKS/1SV04F003T	£1,220.00	7N	107607031	0.37	16.8
TKS/1SV05F003T	£1,268.00	7N	107607041	0.37	17.2
TKS/1SV06F003T	£1,310.00	7N	107607051	0.37	17.6
TKS/1SV07F003T	£1,350.00	7N	107607061	0.37	17.9
TKS/1SV08F005T	£1,384.00	7N	107607071	0.55	18.2
TKS/1SV09F005T	£1,448.00	7N	107607081	0.55	18.6
TKS/1SV10F005T	£1,494.00	7N	107607091	0.55	19
TKS/1SV11F005T	£1,563.00	7N	107607101	0.55	19.4
TKS/1SV12F007T/D	£1,621.00	7N	10760A111	0.75	26.7
TKS/1SV13F007T/D	£1,693.00	7N	10760A121	0.75	27.1
TKS/1SV15F007T/D	£1,816.00	7N	10760A141	0.75	28
TKS/1SV17F011T/D	£1,932.00	7N	10760A161	1.1	31
TKS/1SV19F011T/D	£2,058.00	7N	10760A181	1.1	31.8
TKS/1SV22F011T/D	£2,249.00	7N	10760A211	1.1	33
TKS/3SV02F003T	£1,323.00	7N	107607231	0.37	15.8
TKS/3SV03F003T	£1,382.00	7N	107607241	0.37	16.2
TKS/3SV04F003T	£1,406.00	7N	107607251	0.37	16.6
TKS/3SV05F005T	£1,422.00	7N	107607261	0.55	17
TKS/3SV06F005T	£1,443.00	7N	107607271	0.55	19.4
TKS/3SV07F007T/D	£1,502.00	7N	10760A281	0.75	19.8
TKS/3SV08F007T/D	£1,565.00	7N	10760A291	0.75	24.9
TKS/3SV09F011T/D	£1,627.00	7N	10760A301	1.1	27.4
TKS/3SV10F011T/D	£1,647.00	7N	10760A311	1.1	27.8
TKS/3SV11F011T/D	£1,689.00	7N	10760A321	1.1	28.2
TKS/3SV12F011T/D	£1,723.00	7N	10760A331	1.1	28.6
TKS/5SV02F003T	£1,357.00	7N	107607351	0.37	16.2
TKS/5SV03F005T	£1,393.00	7N	107607361	0.55	18.7
TKS/5SV04F005T	£1,446.00	7N	107607371	0.55	19.1
TKS/5SV05F007T/D	£1,480.00	7N	10760A381	0.75	24.5
TKS/5SV06F011T/D	£1,515.00	7N	10760A391	1.1	26.6
TKS/5SV07F011T/D	£1,550.00	7N	10760A401	1.1	27
TKS/5SV08F011T/D	£1,583.00	7N	10760A411	1.1	27.5
TKS/10SV01F007T/D	£1,430.00	7N	10760A421	0.75	28.4
TKS/10SV02F007T/D	£1,462.00	7N	10760A431	0.75	29.3
TKS/10SV03F011T/D	£1,588.00	7N	10760A441	1.1	32
TKS/15SV01F011T/D	£1,662.00	7N	10760A451	1.1	31.2
TKS/22SV01F011T/D	£1,707.00	7N	10760A461	1.1	31.3



Please note that every unit is supplied complete with pump, integrated drive, pressure transmitter, cable & plug  
 To enable the pump to stop on zero demand, you must fit a NRV and pressure vessel, please add the following option:

Teknospeed Accessories (single pump)	Price	Family Code	Notes
Teknospeed e-SV Hydraulic Kit (supplied loose)	£300.00	9B	Please specify e-SV pump model when ordering

For complete single and twin pump Teknospeed booster sets please see price list section C (Clean Water Packaged Sets).



### Variable speed vertical multistage pumps - Series e-SVH

Variable speed vertical multistage centrifugal pump made of AISI 304 stainless steel with round flanges, in-line delivery and suction ports ('F' version).

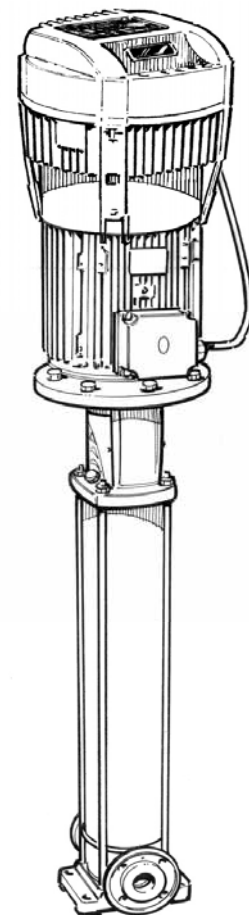
Also available in 'R' version (round flanges, top and bottom ports) and 'T' version (oval flanges, in-line ports) where these models exist.

AISI 316 stainless steel versions also available on request.



Standard pressure transducer is included.  
Counterflanges are not included.

Type	Price	Family Code	Power Supply		Power kW	Weight kg
			Supply	Motor		
1SVH12F007T/M	£2,119.00	3N	1 x 230	3 x 230	0.75	28
1SVH13F007T/M	£2,152.00	3N	1 x 230	3 x 230	0.75	28
1SVH15F007T/M	£2,209.00	3N	1 x 230	3 x 230	0.75	29
1SVH17F011T/M	£2,261.00	3N	1 x 230	3 x 230	1.1	32
1SVH19F011T/M	£2,318.00	3N	1 x 230	3 x 230	1.1	33
1SVH22F011T/M	£2,405.00	3N	1 x 230	3 x 230	1.1	34
1SVH25F015T/M	£2,596.00	3N	1 x 230	3 x 230	1.5	40
1SVH27F015T/M	£2,673.00	3N	1 x 230	3 x 230	1.5	41
1SVH30F015T/M	£2,754.00	3N	1 x 230	3 x 230	1.5	41
1SVH32F022T/M	£3,094.00	3N	1 x 230	3 x 230	2.2	42
1SVH34F022T/M	£3,178.00	3N	1 x 230	3 x 230	2.2	43
1SVH37F022T/M	£3,259.00	3N	1 x 230	3 x 230	2.2	44
1SVH17F011T	£2,515.00	3N	3 x 400	3 x 400	1.1	32
1SVH19F011T	£2,572.00	3N	3 x 400	3 x 400	1.1	33
1SVH22F011T	£2,659.00	3N	3 x 400	3 x 400	1.1	34
1SVH25F015T	£2,850.00	3N	3 x 400	3 x 400	1.5	40
1SVH27F015T	£2,927.00	3N	3 x 400	3 x 400	1.5	41
1SVH30F015T	£3,008.00	3N	3 x 400	3 x 400	1.5	41
1SVH32F022T	£3,094.00	3N	3 x 400	3 x 400	2.2	42
1SVH34F022T	£3,178.00	3N	3 x 400	3 x 400	2.2	43
1SVH37F022T	£3,259.00	3N	3 x 400	3 x 400	2.2	44
3SVH07F007T/M	£2,090.00	3N	1 x 230	3 x 230	0.75	21
3SVH08F007T/M	£2,119.00	3N	1 x 230	3 x 230	0.75	26
3SVH09F011T/M	£2,209.00	3N	1 x 230	3 x 230	1.1	29
3SVH10F011T/M	£2,229.00	3N	1 x 230	3 x 230	1.1	29
3SVH11F011T/M	£2,274.00	3N	1 x 230	3 x 230	1.1	30
3SVH12F011T/M	£2,309.00	3N	1 x 230	3 x 230	1.1	30
3SVH13F015T/M	£2,468.00	3N	1 x 230	3 x 230	1.5	35
3SVH14F015T/M	£2,505.00	3N	1 x 230	3 x 230	1.5	35
3SVH16F015T/M	£2,533.00	3N	1 x 230	3 x 230	1.5	36
3SVH19F022T/M	£2,830.00	3N	1 x 230	3 x 230	2.2	39
3SVH21F022T/M	£3,010.00	3N	1 x 230	3 x 230	2.2	40
3SVH23F022T/M	£3,076.00	3N	1 x 230	3 x 230	2.2	40
3SVH25F022T/M	£3,106.00	3N	1 x 230	3 x 230	2.2	41
3SVH09F011T	£2,463.00	3N	3 x 400	3 x 400	1.1	29
3SVH10F011T	£2,483.00	3N	3 x 400	3 x 400	1.1	29
3SVH11F011T	£2,528.00	3N	3 x 400	3 x 400	1.1	30
3SVH12F011T	£2,563.00	3N	3 x 400	3 x 400	1.1	30
3SVH13F015T	£2,722.00	3N	3 x 400	3 x 400	1.5	35
3SVH14F015T	£2,759.00	3N	3 x 400	3 x 400	1.5	35
3SVH16F015T	£2,787.00	3N	3 x 400	3 x 400	1.5	36
3SVH19F022T	£2,830.00	3N	3 x 400	3 x 400	2.2	39
3SVH21F022T	£3,010.00	3N	3 x 400	3 x 400	2.2	40
3SVH23F022T	£3,076.00	3N	3 x 400	3 x 400	2.2	40
3SVH25F022T	£3,106.00	3N	3 x 400	3 x 400	2.2	41
3SVH27F030T	£3,510.00	3N	3 x 400	3 x 400	3	45
3SVH29F030T	£3,591.00	3N	3 x 400	3 x 400	3	48
3SVH31F030T	£3,662.00	3N	3 x 400	3 x 400	3	49
3SVH33F030T	£3,722.00	3N	3 x 400	3 x 400	3	49



For single pump variable speed booster sets (GHV10) please see Section C (Clean Water Packaged Sets).

## Variable speed vertical multistage pumps - Series e-SVH



Variable speed vertical multistage centrifugal pump made of AISI 304 stainless steel with round flanges, in-line delivery and suction ports ('F' version).

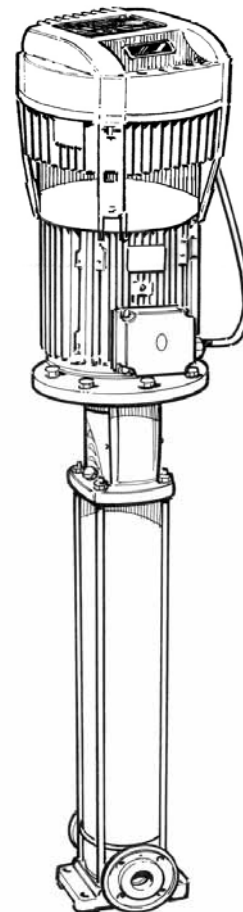
Also available in 'R' version (round flanges, top and bottom ports) and 'T' version (oval flanges, in-line ports) where these models exist.

AISI 316 stainless steel versions also available on request.

Standard pressure transducer is included.  
Counterflanges are not included.



Type	Price	Family Code	Power Supply		Power kW	Weight kg
			Supply	Motor		
5SVH05F007T/M	£2,158.00	3N	1 x 230	3 x 230	0.75	26
5SVH06F011T/M	£2,185.00	3N	1 x 230	3 x 230	1.1	28
5SVH07F011T/M	£2,303.00	3N	1 x 230	3 x 230	1.1	28
5SVH08F011T/M	£2,338.00	3N	1 x 230	3 x 230	1.1	29
5SVH09F015T/M	£2,405.00	3N	1 x 230	3 x 230	1.5	35
5SVH10F015T/M	£2,427.00	3N	1 x 230	3 x 230	1.5	36
5SVH11F015T/M	£2,495.00	3N	1 x 230	3 x 230	1.5	36
5SVH12F022T/M	£2,774.00	3N	1 x 230	3 x 230	2.2	37
5SVH13F022T/M	£2,803.00	3N	1 x 230	3 x 230	2.2	37
5SVH14F022T/M	£2,830.00	3N	1 x 230	3 x 230	2.2	38
5SVH15F022T/M	£2,900.00	3N	1 x 230	3 x 230	2.2	38
5SVH16F022T/M	£2,966.00	3N	1 x 230	3 x 230	2.2	39
5SVH06F011T	£2,439.00	3N	3 x 400	3 x 400	1.1	28
5SVH07F011T	£2,557.00	3N	3 x 400	3 x 400	1.1	28
5SVH08F011T	£2,592.00	3N	3 x 400	3 x 400	1.1	29
5SVH09F015T	£2,659.00	3N	3 x 400	3 x 400	1.5	35
5SVH10F015T	£2,681.00	3N	3 x 400	3 x 400	1.5	36
5SVH11F015T	£2,749.00	3N	3 x 400	3 x 400	1.5	36
5SVH12F022T	£2,774.00	3N	3 x 400	3 x 400	2.2	37
5SVH13F022T	£2,803.00	3N	3 x 400	3 x 400	2.2	37
5SVH14F022T	£2,830.00	3N	3 x 400	3 x 400	2.2	38
5SVH15F022T	£2,900.00	3N	3 x 400	3 x 400	2.2	38
5SVH16F022T	£2,966.00	3N	3 x 400	3 x 400	2.2	39
5SVH18F030T	£3,345.00	3N	3 x 400	3 x 400	3	43
5SVH21F030T	£3,469.00	3N	3 x 400	3 x 400	3	45
5SVH23F040T	£3,765.00	3N	3 x 400	3 x 400	4	51
5SVH25F040T	£3,848.00	3N	3 x 400	3 x 400	4	52
5SVH28F040T	£4,064.00	3N	3 x 400	3 x 400	4	54
5SVH30F055T	£4,521.00	3N	3 x 400	3 x 400	5.5	74
5SVH33F055T	£4,577.00	3N	3 x 400	3 x 400	5.5	76
10SVH01F007T/M	£2,213.00	3N	1 x 230	3 x 230	0.75	30
10SVH02F007T/M	£2,246.00	3N	1 x 230	3 x 230	0.75	31
10SVH03F011T/M	£2,377.00	3N	1 x 230	3 x 230	1.1	33
10SVH04F015T/M	£2,599.00	3N	1 x 230	3 x 230	1.5	38
10SVH05F022T/M	£2,915.00	3N	1 x 230	3 x 230	2.2	41
10SVH06F022T/M	£3,016.00	3N	1 x 230	3 x 230	2.2	42
10SVH03F011T	£2,631.00	3N	3 x 400	3 x 400	1.1	33
10SVH04F015T	£2,853.00	3N	3 x 400	3 x 400	1.5	38
10SVH05F022T	£2,915.00	3N	3 x 400	3 x 400	2.2	41
10SVH06F022T	£3,016.00	3N	3 x 400	3 x 400	2.2	42
10SVH07F030T	£3,507.00	3N	3 x 400	3 x 400	3	47
10SVH08F030T	£3,572.00	3N	3 x 400	3 x 400	3	48
10SVH09F040T	£4,065.00	3N	3 x 400	3 x 400	4	54
10SVH10F040T	£4,139.00	3N	3 x 400	3 x 400	4	55
10SVH11F040T	£4,194.00	3N	3 x 400	3 x 400	4	56
10SVH13F055T	£5,087.00	3N	3 x 400	3 x 400	5.5	79
10SVH15F055T	£5,264.00	3N	3 x 400	3 x 400	5.5	81
10SVH17F075T	£5,912.00	3N	3 x 400	3 x 400	7.5	101
10SVH18F075T	£6,166.00	3N	3 x 400	3 x 400	7.5	102
10SVH20F075T	£6,480.00	3N	3 x 400	3 x 400	7.5	104
10SVH21F110T	£7,525.00	3N	3 x 400	3 x 400	11	121



For single pump variable speed booster sets (GHV10) please see Section C (Clean Water Packaged Sets).

### Variable speed vertical multistage pumps - Series e-SVH

Variable speed vertical multistage centrifugal pump made of AISI 304 stainless steel with round flanges, in-line delivery and suction ports ('F' version).

Also available in 'R' version (round flanges, top and bottom ports) and 'T' version (oval flanges, in-line ports) where these models exist.

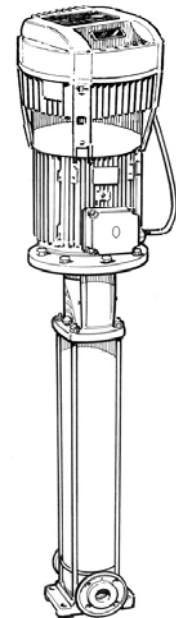
AISI 316 stainless steel versions also available on request.



Standard pressure transducer is included.  
Counterflanges are not included.

Type	Price	Family Code	Power Supply		Power kW	Weight kg
			Supply	Motor		
15SVH01F011T/M	<b>£2,456.00</b>	3N	1 x 230	3 x 230	1.1	33
15SVH02F022T/M	<b>£2,935.00</b>	3N	1 x 230	3 x 230	2.2	39
15SVH01F011T	<b>£2,710.00</b>	3N	3 x 400	3 x 400	1.1	33
15SVH02F022T	<b>£2,935.00</b>	3N	3 x 400	3 x 400	2.2	39
15SVH03F030T	<b>£3,460.00</b>	3N	3 x 400	3 x 400	3	44
15SVH04F040T	<b>£3,910.00</b>	3N	3 x 400	3 x 400	4	51
15SVH05F040T	<b>£3,987.00</b>	3N	3 x 400	3 x 400	4	52
15SVH06F055T	<b>£4,756.00</b>	3N	3 x 400	3 x 400	5.5	75
15SVH07F055T	<b>£5,116.00</b>	3N	3 x 400	3 x 400	5.5	76
15SVH08F075T	<b>£5,786.00</b>	3N	3 x 400	3 x 400	7.5	96
15SVH09F075T	<b>£5,902.00</b>	3N	3 x 400	3 x 400	7.5	98
15SVH10F110T	<b>£6,797.00</b>	3N	3 x 400	3 x 400	11	116
15SVH11F110T	<b>£7,033.00</b>	3N	3 x 400	3 x 400	11	117
15SVH13F110T	<b>£7,199.00</b>	3N	3 x 400	3 x 400	11	120
15SVH15F150T	<b>£8,344.00</b>	3N	3 x 400	3 x 400	15	161
15SVH17F150T	<b>£8,578.00</b>	3N	3 x 400	3 x 400	15	164
22SVH01F011T/M	<b>£2,502.00</b>	3N	1 x 230	3 x 230	1.1	33
22SVH02F022T/M	<b>£2,998.00</b>	3N	1 x 230	3 x 230	2.2	40
22SVH01F011T	<b>£2,756.00</b>	3N	3 x 400	3 x 400	1.1	33
22SVH02F022T	<b>£2,998.00</b>	3N	3 x 400	3 x 400	2.2	40
22SVH03F030T	<b>£3,779.00</b>	3N	3 x 400	3 x 400	3	45
22SVH04F040T	<b>£4,393.00</b>	3N	3 x 400	3 x 400	4	52
22SVH05F055T	<b>£4,878.00</b>	3N	3 x 400	3 x 400	5.5	73
22SVH06F075T	<b>£5,856.00</b>	3N	3 x 400	3 x 400	7.5	92
22SVH07F075T	<b>£5,940.00</b>	3N	3 x 400	3 x 400	7.5	94
22SVH08F110T	<b>£7,000.00</b>	3N	3 x 400	3 x 400	11	112
22SVH09F110T	<b>£7,081.00</b>	3N	3 x 400	3 x 400	11	113
22SVH10F110T	<b>£7,167.00</b>	3N	3 x 400	3 x 400	11	115
22SVH12F150T	<b>£8,416.00</b>	3N	3 x 400	3 x 400	15	156
22SVH14F150T	<b>£8,618.00</b>	3N	3 x 400	3 x 400	15	159
22SVH17F185T	<b>£9,621.00</b>	3N	3 x 400	3 x 400	18.5	171

For single pump variable speed booster sets (GHV10) please see Section C (Clean Water Packaged Sets).



## Variable speed vertical multistage pumps - Series e-SVH

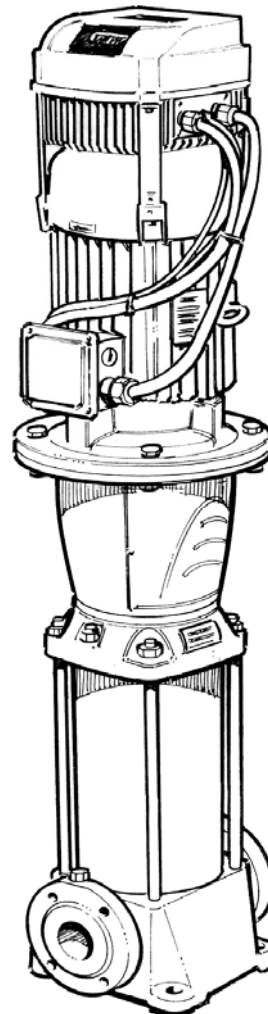


Variable speed vertical multistage centrifugal pump made of AISI 304 stainless steel and cast iron, round flanges, in-line delivery and suction ports.  
 AISI 316 stainless steel versions also available on request.

Standard pressure transducer is included.  
 Counterflanges are not included.



Type	Price	Family Code	Power Supply		Power kW	Weight kg
			Supply	Motor		
33SVH1/1AG022T	£2,736.00	4D	3 x 400	3 x 400	2.2	91
33SVH1G030T	£3,232.00	4D	3 x 400	3 x 400	3.0	96
33SVH2/2AG040T	£3,697.00	4D	3 x 400	3 x 400	4.0	103
33SVH2/1AG040T	£3,697.00	4D	3 x 400	3 x 400	4.0	103
33SVH2G055T	£4,521.00	4D	3 x 400	3 x 400	5.5	125
33SVH3/2AG055T	£4,558.00	4D	3 x 400	3 x 400	5.5	129
33SVH3/1AG075T	£5,652.00	4D	3 x 400	3 x 400	7.5	135
33SVH3G075T	£5,652.00	4D	3 x 400	3 x 400	7.5	135
33SVH4/2AG075T	£5,719.00	4D	3 x 400	3 x 400	7.5	142
33SVH4/1AG110T	£6,713.00	4D	3 x 400	3 x 400	11	190
33SVH4G110T	£6,713.00	4D	3 x 400	3 x 400	11	197
33SVH5/2AG110T	£6,872.00	4D	3 x 400	3 x 400	11	198
33SVH5/1AG110T	£6,872.00	4D	3 x 400	3 x 400	11	198
33SVH5G150T	£7,831.00	4D	3 x 400	3 x 400	15	245
33SVH6/2AG150T	£8,057.00	4D	3 x 400	3 x 400	15	249
33SVH6/1AG150T	£8,057.00	4D	3 x 400	3 x 400	15	249
33SVH6G150T	£8,057.00	4D	3 x 400	3 x 400	15	249
33SVH7/2AG150T	£8,094.00	4D	3 x 400	3 x 400	15	253
33SVH7/1AG185T	£8,782.00	4D	3 x 400	3 x 400	18.5	271
33SVH7G185T	£8,782.00	4D	3 x 400	3 x 400	18.5	271
33SVH8/2AG185T	£8,819.00	4D	3 x 400	3 x 400	18.5	281
33SVH8/1AG185T	£8,819.00	4D	3 x 400	3 x 400	18.5	281
33SVH8G220T	£9,395.00	4D	3 x 400	3 x 400	22	287
33SVH9/2AG220T	£9,952.00	4D	3 x 400	3 x 400	22	291
33SVH9/1AG220T	£9,952.00	4D	3 x 400	3 x 400	22	291
33SVH9G220T	£9,952.00	4D	3 x 400	3 x 400	22	291
33SVH10/2AG220T	£10,113.00	4D	3 x 400	3 x 400	22	295
46SVH1/1AG030T	£3,068.00	4D	3 x 400	3 x 400	3	104
46SVH1G040T	£3,527.00	4D	3 x 400	3 x 400	4	105
46SVH2/2AG055T	£4,307.00	4D	3 x 400	3 x 400	5.5	130
46SVH2G075T	£5,359.00	4D	3 x 400	3 x 400	7.5	136
46SVH3/2AG110T	£6,507.00	4D	3 x 400	3 x 400	11	170
46SVH3G110T	£6,507.00	4D	3 x 400	3 x 400	11	178
46SVH4/2AG150T	£7,686.00	4D	3 x 400	3 x 400	15	245
46SVH4G150T	£7,686.00	4D	3 x 400	3 x 400	15	267
46SVH5/2AG185T	£8,557.00	4D	3 x 400	3 x 400	18.5	267
46SVH5G185T	£8,557.00	4D	3 x 400	3 x 400	18.5	277
46SVH6/2AG220T	£9,529.00	4D	3 x 400	3 x 400	22	307
46SVH6G220T	£9,529.00	4D	3 x 400	3 x 400	22	307
66SVH1/1AG040T	£3,504.00	4D	3 x 400	3 x 400	4	117
66SVH1G055T	£4,261.00	4D	3 x 400	3 x 400	5.5	135
66SVH2/2AG075T	£5,309.00	4D	3 x 400	3 x 400	7.5	141
66SVH2/1AG110T	£6,402.00	4D	3 x 400	3 x 400	11	172
66SVH2G110T	£6,402.00	4D	3 x 400	3 x 400	11	183
66SVH3/2AG150T	£7,593.00	4D	3 x 400	3 x 400	15	254
66SVH3/1AG150T	£7,593.00	4D	3 x 400	3 x 400	15	254
66SVH3G185T	£8,272.00	4D	3 x 400	3 x 400	18.5	272
66SVH4/2AG185T	£8,456.00	4D	3 x 400	3 x 400	18.5	277
66SVH4/1AG220T	£9,359.00	4D	3 x 400	3 x 400	22	283
66SVH4G220T	£9,359.00	4D	3 x 400	3 x 400	22	283
92SVH1/1AG055T	£4,243.00	4D	3 x 400	3 x 400	5.5	141
92SVH1G075T	£5,288.00	4D	3 x 400	3 x 400	7.5	147
92SVH2/2AG110T	£6,340.00	4D	3 x 400	3 x 400	11	226
92SVH2G150T	£7,524.00	4D	3 x 400	3 x 400	15	247
92SVH3/2AG185T	£8,414.00	4D	3 x 400	3 x 400	18.5	271
92SVH3G220T	£9,277.00	4D	3 x 400	3 x 400	22	277
125SVH1G075T	£6,635.00	4D	3 x 400	3 x 400	7.5	180
125SVH2G150T	£8,881.00	4D	3 x 400	3 x 400	15	248
125SVH3G220T	£10,015.00	4D	3 x 400	3 x 400	22	280



## e-SV Vertical Multistage Pumps - Series 1SV



Counterflanges not included (except 'T' oval flange version).

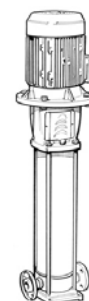
Different port connections (victaulic / clamp (DIN 32676) / threaded (DIN 11851)) on request.

Horizontal mounting kit **£131.00**

Type	Price	Family Code	Part Number	Voltage	kW	kg
1SV02T003T	£533.00	3N	1016L0010	3 x 230/400	0.37	13
1SV02F003T	£533.00	3N	1016L0011	3 x 230/400	0.37	13
1SV02N003T	£693.00	3N	1016L0014	3 x 230/400	0.37	13
1SV03T003T	£542.00	3N	1016L0020	3 x 230/400	0.37	13.4
1SV03F003T	£542.00	3N	1016L0021	3 x 230/400	0.37	13.4
1SV03N003T	£703.00	3N	1016L0024	3 x 230/400	0.37	13.4
1SV04T003T	£555.00	3N	1016L0030	3 x 230/400	0.37	13.8
1SV04F003T	£555.00	3N	1016L0031	3 x 230/400	0.37	13.8
1SV04N003T	£724.00	3N	1016L0034	3 x 230/400	0.37	13.8
1SV05T003T	£577.00	3N	1016L0040	3 x 230/400	0.37	14.2
1SV05F003T	£577.00	3N	1016L0041	3 x 230/400	0.37	14.2
1SV05N003T	£737.00	3N	1016L0044	3 x 230/400	0.37	14.2
1SV06T003T	£595.00	3N	1016L0050	3 x 230/400	0.37	14.6
1SV06F003T	£595.00	3N	1016L0051	3 x 230/400	0.37	14.6
1SV06N003T	£758.00	3N	1016L0054	3 x 230/400	0.37	14.6
1SV07T003T	£613.00	3N	1016L0060	3 x 230/400	0.37	14.9
1SV07F003T	£613.00	3N	1016L0061	3 x 230/400	0.37	14.9
1SV07R003T	£613.00	3N	1016L0063	3 x 230/400	0.37	14.9
1SV07N003T	£778.00	3N	1016L0064	3 x 230/400	0.37	14.9
1SV08T005T	£629.00	3N	1016L0070	3 x 230/400	0.55	15.2
1SV08F005T	£629.00	3N	1016L0071	3 x 230/400	0.55	15.2
1SV08R005T	£629.00	3N	1016L0073	3 x 230/400	0.55	15.2
1SV08N005T	£799.00	3N	1016L0074	3 x 230/400	0.55	15.2
1SV09T005T	£659.00	3N	1016L0080	3 x 230/400	0.55	15.6
1SV09F005T	£659.00	3N	1016L0081	3 x 230/400	0.55	15.6
1SV09R005T	£659.00	3N	1016L0083	3 x 230/400	0.55	15.6
1SV09N005T	£828.00	3N	1016L0084	3 x 230/400	0.55	15.6
1SV10T005T	£679.00	3N	1016L0090	3 x 230/400	0.55	16
1SV10F005T	£679.00	3N	1016L0091	3 x 230/400	0.55	16
1SV10R005T	£679.00	3N	1016L0093	3 x 230/400	0.55	16
1SV10N005T	£870.00	3N	1016L0094	3 x 230/400	0.55	16
1SV11T005T	£711.00	3N	1016L0100	3 x 230/400	0.55	16.4
1SV11F005T	£711.00	3N	1016L0101	3 x 230/400	0.55	16.4
1SV11R005T	£711.00	3N	1016L0103	3 x 230/400	0.55	16.4
1SV11N005T	£889.00	3N	1016L0104	3 x 230/400	0.55	16.4
1SV12T007T/D	£736.00	3N	1016LC110	3 x 230/400	0.75	22.3
1SV12F007T/D	£736.00	3N	1016LC111	3 x 230/400	0.75	22.3
1SV12R007T/D	£736.00	3N	1016LC113	3 x 230/400	0.75	22.3
1SV12N007T/D	£918.00	3N	1016LC114	3 x 230/400	0.75	22.3



'T' version



'F' or 'N' version



'R' version

## e-SV Vertical Multistage Pumps - Series 1SV



Counterflanges not included (except 'T' oval flange version).

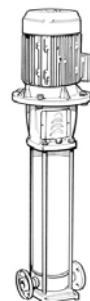
Different port connections (victaulic / clamp (DIN 32676) / threaded (DIN 11851)) on request.

Horizontal mounting kit     **£131.00**

Type	Price	Family Code	Part Number	Voltage	kW	kg
1SV13T007T/D	<b>£769.00</b>	3N	1016LC120	3 x 230/400	0.75	22.7
1SV13F007T/D	<b>£769.00</b>	3N	1016LC121	3 x 230/400	0.75	22.7
1SV13R007T/D	<b>£769.00</b>	3N	1016LC123	3 x 230/400	0.75	22.7
1SV13N007T/D	<b>£950.00</b>	3N	1016LC124	3 x 230/400	0.75	22.7
1SV15T007T/D	<b>£826.00</b>	3N	1016LC140	3 x 230/400	0.75	23.5
1SV15F007T/D	<b>£826.00</b>	3N	1016LC141	3 x 230/400	0.75	23.5
1SV15R007T/D	<b>£826.00</b>	3N	1016LC143	3 x 230/400	0.75	23.5
1SV15N007T/D	<b>£1,008.00</b>	3N	1016LC144	3 x 230/400	0.75	23.5
1SV17T011T/D	<b>£878.00</b>	3N	1016LC160	3 x 230/400	1.1	27
1SV17F011T/D	<b>£878.00</b>	3N	1016LC161	3 x 230/400	1.1	27
1SV17R011T/D	<b>£878.00</b>	3N	1016LC163	3 x 230/400	1.1	27
1SV17N011T/D	<b>£1,074.00</b>	3N	1016LC164	3 x 230/400	1.1	27
1SV19T011T/D	<b>£935.00</b>	3N	1016LC180	3 x 230/400	1.1	28
1SV19F011T/D	<b>£935.00</b>	3N	1016LC181	3 x 230/400	1.1	28
1SV19R011T/D	<b>£935.00</b>	3N	1016LC183	3 x 230/400	1.1	28
1SV19N011T/D	<b>£1,132.00</b>	3N	1016LC184	3 x 230/400	1.1	28
1SV22T011T/D	<b>£1,022.00</b>	3N	1016LC210	3 x 230/400	1.1	29
1SV22F011T/D	<b>£1,022.00</b>	3N	1016LC211	3 x 230/400	1.1	29
1SV22R011T/D	<b>£1,022.00</b>	3N	1016LC213	3 x 230/400	1.1	29
1SV22N011T/D	<b>£1,252.00</b>	3N	1016LC214	3 x 230/400	1.1	29
1SV25T015T/D	<b>£1,213.00</b>	3N	1016LC240	3 x 230/400	1.5	32
1SV25F015T/D	<b>£1,213.00</b>	3N	1016LC241	3 x 230/400	1.5	32
1SV25R015T/D	<b>£1,213.00</b>	3N	1016LC243	3 x 230/400	1.5	32
1SV25N015T/D	<b>£1,381.00</b>	3N	1016LC244	3 x 230/400	1.5	32
1SV27F015T/D	<b>£1,290.00</b>	3N	1016LC261	3 x 230/400	1.5	33
1SV27R015T/D	<b>£1,290.00</b>	3N	1016LC263	3 x 230/400	1.5	33
1SV27N015T/D	<b>£1,441.00</b>	3N	1016LC264	3 x 230/400	1.5	33
1SV30F015T/D	<b>£1,371.00</b>	3N	1016LC291	3 x 230/400	1.5	34
1SV30R015T/D	<b>£1,371.00</b>	3N	1016LC293	3 x 230/400	1.5	34
1SV30N015T/D	<b>£1,530.00</b>	3N	1016LC294	3 x 230/400	1.5	34
1SV32F022T	<b>£1,457.00</b>	3N	1016L0311	3 x 230/400	2.2	38
1SV32R022T	<b>£1,457.00</b>	3N	1016L0313	3 x 230/400	2.2	38
1SV32N022T	<b>£1,611.00</b>	3N	1016L0314	3 x 230/400	2.2	38
1SV34F022T	<b>£1,541.00</b>	3N	1016L0331	3 x 230/400	2.2	39
1SV34R022T	<b>£1,541.00</b>	3N	1016L0333	3 x 230/400	2.2	39
1SV34N022T	<b>£1,706.00</b>	3N	1016L0334	3 x 230/400	2.2	39
1SV37F022T	<b>£1,622.00</b>	3N	1016L0361	3 x 230/400	2.2	40
1SV37R022T	<b>£1,622.00</b>	3N	1016L0363	3 x 230/400	2.2	40
1SV37N022T	<b>£1,793.00</b>	3N	1016L0364	3 x 230/400	2.2	40



'T' version



'F' or 'N' version



'R' version



## e-SV Vertical Multistage Pumps - Series 1SV



Counterflanges not included (except 'T' oval flange version).

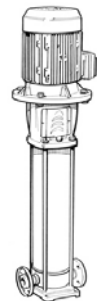
Different port connections (victaulic / clamp (DIN 32676) / threaded (DIN 11851)) on request.

Horizontal mounting kit **£131.00**

Type	Price	Family Code	Part Number	Voltage	kW	kg
1SV02T003M	£544.00	3N	1016L1830	1 x 220-240	0.37	13
1SV02F003M	£544.00	3N	1016L1831	1 x 220-240	0.37	13
1SV02N003M	£713.00	3N	1016L1834	1 x 220-240	0.37	13
1SV03T003M	£570.00	3N	1016L1840	1 x 220-240	0.37	13.4
1SV03F003M	£570.00	3N	1016L1841	1 x 220-240	0.37	13.4
1SV03N003M	£722.00	3N	1016L1844	1 x 220-240	0.37	13.4
1SV04T003M	£588.00	3N	1016L1850	1 x 220-240	0.37	13.8
1SV04F003M	£588.00	3N	1016L1851	1 x 220-240	0.37	13.8
1SV04N003M	£745.00	3N	1016L1854	1 x 220-240	0.37	13.8
1SV05T003M	£605.00	3N	1016L1860	1 x 220-240	0.37	14.2
1SV05F003M	£605.00	3N	1016L1861	1 x 220-240	0.37	14.2
1SV05N003M	£764.00	3N	1016L1864	1 x 220-240	0.37	14.2
1SV06T003M	£622.00	3N	1016L1870	1 x 220-240	0.37	14.6
1SV06F003M	£622.00	3N	1016L1871	1 x 220-240	0.37	14.6
1SV06N003M	£785.00	3N	1016L1874	1 x 220-240	0.37	14.6
1SV07T003M	£640.00	3N	1016L1880	1 x 220-240	0.37	14.9
1SV07F003M	£640.00	3N	1016L1881	1 x 220-240	0.37	14.9
1SV07R003M	£640.00	3N	1016L1883	1 x 220-240	0.37	14.9
1SV07N003M	£804.00	3N	1016L1884	1 x 220-240	0.37	14.9
1SV08T005M	£659.00	3N	1016L1890	1 x 220-240	0.55	15.2
1SV08F005M	£659.00	3N	1016L1891	1 x 220-240	0.55	15.2
1SV08R005M	£659.00	3N	1016L1893	1 x 220-240	0.55	15.2
1SV08N005M	£825.00	3N	1016L1894	1 x 220-240	0.55	15.2
1SV09T005M	£695.00	3N	1016L1900	1 x 220-240	0.55	15.6
1SV09F005M	£695.00	3N	1016L1901	1 x 220-240	0.55	15.6
1SV09R005M	£695.00	3N	1016L1903	1 x 220-240	0.55	15.6
1SV09N005M	£866.00	3N	1016L1904	1 x 220-240	0.55	15.6
1SV10T005M	£709.00	3N	1016L1910	1 x 220-240	0.55	16
1SV10F005M	£709.00	3N	1016L1911	1 x 220-240	0.55	16
1SV10R005M	£709.00	3N	1016L1913	1 x 220-240	0.55	16
1SV10N005M	£917.00	3N	1016L1914	1 x 220-240	0.55	16
1SV11T005M	£722.00	3N	1016L1920	1 x 220-240	0.55	16.4
1SV11F005M	£722.00	3N	1016L1921	1 x 220-240	0.55	16.4
1SV11R005M	£722.00	3N	1016L1923	1 x 220-240	0.55	16.4
1SV11N005M	£927.00	3N	1016L1924	1 x 220-240	0.55	16.4
1SV12T007M	£849.00	3N	1016L1930	1 x 220-240	0.75	23.7
1SV12F007M	£849.00	3N	1016L1931	1 x 220-240	0.75	23.7
1SV12R007M	£849.00	3N	1016L1933	1 x 220-240	0.75	23.7
1SV12N007M	£1,028.00	3N	1016L1934	1 x 220-240	0.75	23.7



'T' version



'F' or 'N' version



'R' version

## e-SV Vertical Multistage Pumps - Series 1SV



Counterflanges not included (except 'T' oval flange version).

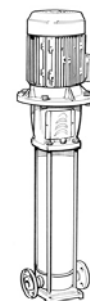
Different port connections (victaulic / clamp (DIN 32676) / threaded (DIN 11851)) on request.

Horizontal mounting kit     **£131.00**

Type	Price	Family Code	Part Number	Voltage	kW	kg
1SV13T007M	<b>£883.00</b>	3N	1016L1940	1 x 220-240	0.75	24.1
1SV13F007M	<b>£883.00</b>	3N	1016L1941	1 x 220-240	0.75	24.1
1SV13R007M	<b>£883.00</b>	3N	1016L1943	1 x 220-240	0.75	24.1
1SV13N007M	<b>£1,056.00</b>	3N	1016L1944	1 x 220-240	0.75	24.1
1SV15T007M	<b>£938.00</b>	3N	1016L1960	1 x 220-240	0.75	25
1SV15F007M	<b>£938.00</b>	3N	1016L1961	1 x 220-240	0.75	25
1SV15R007M	<b>£938.00</b>	3N	1016L1963	1 x 220-240	0.75	25
1SV15N007M	<b>£1,118.00</b>	3N	1016L1964	1 x 220-240	0.75	25
1SV17T011M	<b>£994.00</b>	3N	1016L1980	1 x 220-240	1.1	28
1SV17F011M	<b>£994.00</b>	3N	1016L1981	1 x 220-240	1.1	28
1SV17R011M	<b>£994.00</b>	3N	1016L1983	1 x 220-240	1.1	28
1SV17N011M	<b>£1,182.00</b>	3N	1016L1984	1 x 220-240	1.1	28
1SV19T011M	<b>£1,048.00</b>	3N	1016L2000	1 x 220-240	1.1	28.8
1SV19F011M	<b>£1,048.00</b>	3N	1016L2001	1 x 220-240	1.1	28.8
1SV19R011M	<b>£1,048.00</b>	3N	1016L2003	1 x 220-240	1.1	28.8
1SV19N011M	<b>£1,242.00</b>	3N	1016L2004	1 x 220-240	1.1	28.8
1SV22T011M	<b>£1,181.00</b>	3N	1016L2030	1 x 220-240	1.1	30
1SV22F011M	<b>£1,181.00</b>	3N	1016L2031	1 x 220-240	1.1	30
1SV22R011M	<b>£1,181.00</b>	3N	1016L2033	1 x 220-240	1.1	30
1SV22N011M	<b>£1,362.00</b>	3N	1016L2034	1 x 220-240	1.1	30
1SV25T015M	<b>£1,366.00</b>	3N	1016L2060	1 x 220-240	1.5	35.3
1SV25F015M	<b>£1,366.00</b>	3N	1016L2061	1 x 220-240	1.5	35.3
1SV25R015M	<b>£1,366.00</b>	3N	1016L2063	1 x 220-240	1.5	35.3
1SV25N015M	<b>£1,528.00</b>	3N	1016L2064	1 x 220-240	1.5	35.3
1SV27F015M	<b>£1,442.00</b>	3N	1016L2081	1 x 220-240	1.5	36.1
1SV27R015M	<b>£1,442.00</b>	3N	1016L2083	1 x 220-240	1.5	36.1
1SV27N015M	<b>£1,586.00</b>	3N	1016L2084	1 x 220-240	1.5	36.1
1SV30F015M	<b>£1,522.00</b>	3N	1016L2111	1 x 220-240	1.5	37
1SV30R015M	<b>£1,522.00</b>	3N	1016L2113	1 x 220-240	1.5	37
1SV30N015M	<b>£1,675.00</b>	3N	1016L2114	1 x 220-240	1.5	37
1SV32F022M	<b>£1,611.00</b>	3N	1016L2131	1 x 220-240	2.2	37.8
1SV32R022M	<b>£1,611.00</b>	3N	1016L2133	1 x 220-240	2.2	37.8
1SV32N022M	<b>£1,759.00</b>	3N	1016L2134	1 x 220-240	2.2	37.8
1SV34F022M	<b>£1,707.00</b>	3N	1016L2151	1 x 220-240	2.2	38.6
1SV34R022M	<b>£1,707.00</b>	3N	1016L2153	1 x 220-240	2.2	38.6
1SV34N022M	<b>£1,863.00</b>	3N	1016L2154	1 x 220-240	2.2	38.6
1SV37F022M	<b>£1,787.00</b>	3N	1016L2181	1 x 220-240	2.2	39.8
1SV37R022M	<b>£1,787.00</b>	3N	1016L2183	1 x 220-240	2.2	39.8
1SV37N022M	<b>£1,952.00</b>	3N	1016L2184	1 x 220-240	2.2	39.8



'T' version



'F' or 'N' version



'R' version

## e-SV Vertical Multistage Pumps - Series 3SV

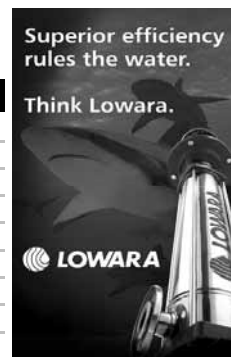


Counterflanges not included (except 'T' oval flange version).

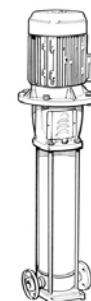
Different port connections (victaulic / clamp (DIN 32676) / threaded (DIN 11851)) on request.

Horizontal mounting kit **£131.00**

Type	Price	Family Code	Part Number	Voltage	kW	kg
3SV02T003T	£555.00	3N	1016L0420	3 x 230/400	0.37	12.8
3SV02F003T	£555.00	3N	1016L0421	3 x 230/400	0.37	12.8
3SV02N003T	£742.00	3N	1016L0424	3 x 230/400	0.37	12.8
3SV03T003T	£582.00	3N	1016L0430	3 x 230/400	0.37	13.2
3SV03F003T	£582.00	3N	1016L0431	3 x 230/400	0.37	13.2
3SV03N003T	£770.00	3N	1016L0434	3 x 230/400	0.37	13.2
3SV04T003T	£606.00	3N	1016L0440	3 x 230/400	0.37	13.6
3SV04F003T	£606.00	3N	1016L0441	3 x 230/400	0.37	13.6
3SV04N003T	£799.00	3N	1016L0444	3 x 230/400	0.37	13.6
3SV05T005T	£624.00	3N	1016L0450	3 x 230/400	0.55	14
3SV05F005T	£624.00	3N	1016L0451	3 x 230/400	0.55	14
3SV05N005T	£807.00	3N	1016L0454	3 x 230/400	0.55	14
3SV06T005T	£645.00	3N	1016L0460	3 x 230/400	0.55	16.4
3SV06F005T	£645.00	3N	1016L0461	3 x 230/400	0.55	16.4
3SV06N005T	£827.00	3N	1016L0464	3 x 230/400	0.55	16.4
3SV07T007T/D	£707.00	3N	1016LC470	3 x 230/400	0.75	20.5
3SV07F007T/D	£707.00	3N	1016LC471	3 x 230/400	0.75	20.5
3SV07R007T/D	£707.00	3N	1016LC473	3 x 230/400	0.75	20.5
3SV07N007T/D	£899.00	3N	1016LC474	3 x 230/400	0.75	20.5
3SV08T007T/D	£736.00	3N	1016LC480	3 x 230/400	0.75	20.9
3SV08F007T/D	£736.00	3N	1016LC481	3 x 230/400	0.75	20.9
3SV08R007T/D	£736.00	3N	1016LC483	3 x 230/400	0.75	20.9
3SV08N007T/D	£930.00	3N	1016LC484	3 x 230/400	0.75	20.9
3SV09T011T/D	£826.00	3N	1016LC490	3 x 230/400	1.1	23.1
3SV09F011T/D	£826.00	3N	1016LC491	3 x 230/400	1.1	23.1
3SV09R011T/D	£826.00	3N	1016LC493	3 x 230/400	1.1	23.1
3SV09N011T/D	£1,008.00	3N	1016LC494	3 x 230/400	1.1	23.1
3SV10T011T/D	£846.00	3N	1016LC500	3 x 230/400	1.1	23.5
3SV10F011T/D	£846.00	3N	1016LC501	3 x 230/400	1.1	23.5
3SV10R011T/D	£846.00	3N	1016LC503	3 x 230/400	1.1	23.5
3SV10N011T/D	£1,040.00	3N	1016LC504	3 x 230/400	1.1	23.5
3SV11T011T/D	£891.00	3N	1016LC510	3 x 230/400	1.1	23.9
3SV11F011T/D	£891.00	3N	1016LC511	3 x 230/400	1.1	23.9
3SV11R011T/D	£891.00	3N	1016LC513	3 x 230/400	1.1	23.9
3SV11N011T/D	£1,087.00	3N	1016LC514	3 x 230/400	1.1	23.9
3SV12T011T/D	£926.00	3N	1016LC520	3 x 230/400	1.1	24.7
3SV12F011T/D	£926.00	3N	1016LC521	3 x 230/400	1.1	24.7
3SV12R011T/D	£926.00	3N	1016LC523	3 x 230/400	1.1	24.7
3SV12N011T/D	£1,099.00	3N	1016LC524	3 x 230/400	1.1	24.7



'T' version



'F' or 'N' version



'R' version

## e-SV Vertical Multistage Pumps - Series 3SV



Counterflanges not included (except 'T' oval flange version).

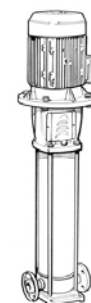
Different port connections (victaulic / clamp (DIN 32676) / threaded (DIN 11851)) on request.

Horizontal mounting kit     **£131.00**

Type	Price	Family Code	Part Number	Voltage	kW	kg
3SV13T015T/D	<b>£1,085.00</b>	3N	1016LC530	3 x 230/400	1.5	27
3SV13F015T/D	<b>£1,085.00</b>	3N	1016LC531	3 x 230/400	1.5	27
3SV13R015T/D	<b>£1,085.00</b>	3N	1016LC533	3 x 230/400	1.5	27
3SV13N015T/D	<b>£1,232.00</b>	3N	1016LC534	3 x 230/400	1.5	27
3SV14T015T/D	<b>£1,122.00</b>	3N	1016LC540	3 x 230/400	1.5	27.5
3SV14F015T/D	<b>£1,122.00</b>	3N	1016LC541	3 x 230/400	1.5	27.5
3SV14R015T/D	<b>£1,122.00</b>	3N	1016LC543	3 x 230/400	1.5	27.5
3SV14N015T/D	<b>£1,266.00</b>	3N	1016LC544	3 x 230/400	1.5	27.5
3SV16T015T/D	<b>£1,150.00</b>	3N	1016LC560	3 x 230/400	1.5	28.2
3SV16F015T/D	<b>£1,150.00</b>	3N	1016LC561	3 x 230/400	1.5	28.2
3SV16R015T/D	<b>£1,150.00</b>	3N	1016LC563	3 x 230/400	1.5	28.2
3SV16N015T/D	<b>£1,292.00</b>	3N	1016LC564	3 x 230/400	1.5	28.2
3SV19T022T	<b>£1,193.00</b>	3N	1016L0590	3 x 230/400	2.2	34.4
3SV19F022T	<b>£1,193.00</b>	3N	1016L0591	3 x 230/400	2.2	34.4
3SV19R022T	<b>£1,193.00</b>	3N	1016L0593	3 x 230/400	2.2	34.4
3SV19N022T	<b>£1,392.00</b>	3N	1016L0594	3 x 230/400	2.2	34.4
3SV21T022T	<b>£1,373.00</b>	3N	1016L0610	3 x 230/400	2.2	35.2
3SV21F022T	<b>£1,373.00</b>	3N	1016L0611	3 x 230/400	2.2	35.2
3SV21R022T	<b>£1,373.00</b>	3N	1016L0613	3 x 230/400	2.2	35.2
3SV21N022T	<b>£1,512.00</b>	3N	1016L0614	3 x 230/400	2.2	35.2
3SV23F022T	<b>£1,439.00</b>	3N	1016L0631	3 x 230/400	2.2	36
3SV23R022T	<b>£1,439.00</b>	3N	1016L0633	3 x 230/400	2.2	36
3SV23N022T	<b>£1,572.00</b>	3N	1016L0634	3 x 230/400	2.2	36
3SV25F022T	<b>£1,469.00</b>	3N	1016L0651	3 x 230/400	2.2	36.8
3SV25R022T	<b>£1,469.00</b>	3N	1016L0653	3 x 230/400	2.2	36.8
3SV25N022T	<b>£1,652.00</b>	3N	1016L0654	3 x 230/400	2.2	36.8
3SV27F030T	<b>£1,548.00</b>	3N	1016L0671	3 x 230/400	3	42.6
3SV27R030T	<b>£1,548.00</b>	3N	1016L0673	3 x 230/400	3	42.6
3SV27N030T	<b>£1,711.00</b>	3N	1016L0674	3 x 230/400	3	42.6
3SV29F030T	<b>£1,629.00</b>	3N	1016L0691	3 x 230/400	3	43.4
3SV29R030T	<b>£1,629.00</b>	3N	1016L0693	3 x 230/400	3	43.4
3SV29N030T	<b>£1,801.00</b>	3N	1016L0694	3 x 230/400	3	43.4
3SV31F030T	<b>£1,700.00</b>	3N	1016L0711	3 x 230/400	3	44.2
3SV31R030T	<b>£1,700.00</b>	3N	1016L0713	3 x 230/400	3	44.2
3SV31N030T	<b>£1,810.00</b>	3N	1016L0714	3 x 230/400	3	44.2
3SV33F030T	<b>£1,760.00</b>	3N	1016L0731	3 x 230/400	3	45
3SV33R030T	<b>£1,760.00</b>	3N	1016L0733	3 x 230/400	3	45
3SV33N030T	<b>£1,837.00</b>	3N	1016L0734	3 x 230/400	3	45



'T' version



'F' or 'N' version



'R' version

## e-SV Vertical Multistage Pumps - Series 3SV



Counterflanges not included (except 'T' oval flange version).

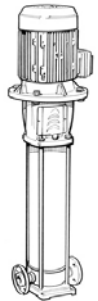
Different port connections (victaulic / clamp (DIN 32676) / threaded (DIN 11851)) on request.

Horizontal mounting kit **£131.00**

Type	Price	Family Code	Part Number	Voltage	kW	kg
3SV02T003M	£582.00	3N	1016L2230	1 x 220-240	0.37	12.8
3SV02F003M	£582.00	3N	1016L2231	1 x 220-240	0.37	12.8
3SV02N003M	£767.00	3N	1016L2234	1 x 220-240	0.37	12.8
3SV03T003M	£618.00	3N	1016L2240	1 x 220-240	0.37	13.2
3SV03F003M	£618.00	3N	1016L2241	1 x 220-240	0.37	13.2
3SV03N003M	£795.00	3N	1016L2244	1 x 220-240	0.37	13.2
3SV04T003M	£633.00	3N	1016L2250	1 x 220-240	0.37	13.6
3SV04F003M	£633.00	3N	1016L2251	1 x 220-240	0.37	13.6
3SV04N003M	£825.00	3N	1016L2254	1 x 220-240	0.37	13.6
3SV05T005M	£652.00	3N	1016L2260	1 x 220-240	0.55	14
3SV05F005M	£652.00	3N	1016L2261	1 x 220-240	0.55	14
3SV05N005M	£833.00	3N	1016L2264	1 x 220-240	0.55	14
3SV06T005M	£684.00	3N	1016L2270	1 x 220-240	0.55	16.4
3SV06F005M	£684.00	3N	1016L2271	1 x 220-240	0.55	16.4
3SV06N005M	£864.00	3N	1016L2274	1 x 220-240	0.55	16.4
3SV07T007M	£822.00	3N	1016L2280	1 x 220-240	0.75	16.8
3SV07F007M	£822.00	3N	1016L2281	1 x 220-240	0.75	16.8
3SV07R007M	£822.00	3N	1016L2283	1 x 220-240	0.75	16.8
3SV07N007M	£1,008.00	3N	1016L2284	1 x 220-240	0.75	16.8
3SV08T007M	£849.00	3N	1016L2290	1 x 220-240	0.75	21.9
3SV08F007M	£849.00	3N	1016L2291	1 x 220-240	0.75	21.9
3SV08R007M	£849.00	3N	1016L2293	1 x 220-240	0.75	21.9
3SV08N007M	£1,040.00	3N	1016L2294	1 x 220-240	0.75	21.9
3SV09T011M	£928.00	3N	1016L2300	1 x 220-240	1.1	24.4
3SV09F011M	£928.00	3N	1016L2301	1 x 220-240	1.1	24.4
3SV09R011M	£928.00	3N	1016L2303	1 x 220-240	1.1	24.4
3SV09N011M	£1,118.00	3N	1016L2304	1 x 220-240	1.1	24.4
3SV10T011M	£959.00	3N	1016L2310	1 x 220-240	1.1	24.8
3SV10F011M	£959.00	3N	1016L2311	1 x 220-240	1.1	24.8
3SV10R011M	£959.00	3N	1016L2313	1 x 220-240	1.1	24.8
3SV10N011M	£1,148.00	3N	1016L2314	1 x 220-240	1.1	24.8
3SV11T011M	£995.00	3N	1016L2320	1 x 220-240	1.1	25.2
3SV11F011M	£995.00	3N	1016L2321	1 x 220-240	1.1	25.2
3SV11R011M	£995.00	3N	1016L2323	1 x 220-240	1.1	25.2
3SV11N011M	£1,203.00	3N	1016L2324	1 x 220-240	1.1	25.2
3SV12T011M	£1,027.00	3N	1016L2330	1 x 220-240	1.1	25.6
3SV12F011M	£1,027.00	3N	1016L2331	1 x 220-240	1.1	25.6
3SV12R011M	£1,027.00	3N	1016L2333	1 x 220-240	1.1	25.6
3SV12N011M	£1,208.00	3N	1016L2334	1 x 220-240	1.1	25.6



'T' version



'F' or 'N' version



'R' version

## e-SV Vertical Multistage Pumps - Series 3SV



Counterflanges not included (except 'T' oval flange version).

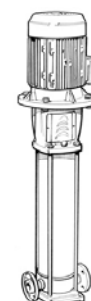
Different port connections (victaulic / clamp (DIN 32676) / threaded (DIN 11851)) on request.

Horizontal mounting kit     **£131.00**

Type	Price	Family Code	Part Number	Voltage	kW	kg
3SV13T015M	<b>£1,221.00</b>	3N	1016L2340	1 x 220-240	1.5	30.6
3SV13F015M	<b>£1,221.00</b>	3N	1016L2341	1 x 220-240	1.5	30.6
3SV13R015M	<b>£1,221.00</b>	3N	1016L2343	1 x 220-240	1.5	30.6
3SV13N015M	<b>£1,379.00</b>	3N	1016L2344	1 x 220-240	1.5	30.6
<hr/>						
3SV14T015M	<b>£1,249.00</b>	3N	1016L2350	1 x 220-240	1.5	31
3SV14F015M	<b>£1,249.00</b>	3N	1016L2351	1 x 220-240	1.5	31
3SV14R015M	<b>£1,249.00</b>	3N	1016L2353	1 x 220-240	1.5	31
3SV14N015M	<b>£1,413.00</b>	3N	1016L2354	1 x 220-240	1.5	31
<hr/>						
3SV16T015M	<b>£1,285.00</b>	3N	1016L2370	1 x 220-240	1.5	31.8
3SV16F015M	<b>£1,285.00</b>	3N	1016L2371	1 x 220-240	1.5	31.8
3SV16R015M	<b>£1,285.00</b>	3N	1016L2373	1 x 220-240	1.5	31.8
3SV16N015M	<b>£1,438.00</b>	3N	1016L2374	1 x 220-240	1.5	31.8
<hr/>						
3SV19T022M	<b>£1,407.00</b>	3N	1016L2400	1 x 220-240	2.2	34.4
3SV19F022M	<b>£1,407.00</b>	3N	1016L2401	1 x 220-240	2.2	34.4
3SV19R022M	<b>£1,407.00</b>	3N	1016L2403	1 x 220-240	2.2	34.4
3SV19N022M	<b>£1,551.00</b>	3N	1016L2404	1 x 220-240	2.2	34.4
<hr/>						
3SV21T022M	<b>£1,538.00</b>	3N	1016L2420	1 x 220-240	2.2	35.2
3SV21F022M	<b>£1,538.00</b>	3N	1016L2421	1 x 220-240	2.2	35.2
3SV21R022M	<b>£1,538.00</b>	3N	1016L2423	1 x 220-240	2.2	35.2
3SV21N022M	<b>£1,672.00</b>	3N	1016L2424	1 x 220-240	2.2	35.2
<hr/>						
3SV23F022M	<b>£1,615.00</b>	3N	1016L2441	1 x 220-240	2.2	36
3SV23R022M	<b>£1,615.00</b>	3N	1016L2443	1 x 220-240	2.2	36
3SV23N022M	<b>£1,731.00</b>	3N	1016L2444	1 x 220-240	2.2	36
<hr/>						
3SV25F022M	<b>£1,752.00</b>	3N	1016L2461	1 x 220-240	2.2	36.8
3SV25R022M	<b>£1,752.00</b>	3N	1016L2463	1 x 220-240	2.2	36.8
3SV25N022M	<b>£1,930.00</b>	3N	1016L2464	1 x 220-240	2.2	36.8



'T' version



'F' or 'N' version



'R' version

## e-SV Vertical Multistage Pumps - Series 5SV



Counterflanges not included (except 'T' oval flange version).

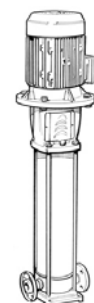
Different port connections (victaulic / clamp (DIN 32676) / threaded (DIN 11851)) on request.

Horizontal mounting kit **£131.00**

Type	Price	Family Code	Part Number	Voltage	kW	kg
5SV02T003T	£601.00	3N	1016L0790	3 x 230/400	0.37	13.2
5SV02F003T	£601.00	3N	1016L0791	3 x 230/400	0.37	13.2
5SV02N003T	£767.00	3N	1016L0794	3 x 230/400	0.37	13.2
5SV03T005T	£674.00	3N	1016L0800	3 x 230/400	0.55	15.7
5SV03F005T	£674.00	3N	1016L0801	3 x 230/400	0.55	15.7
5SV03N005T	£843.00	3N	1016L0804	3 x 230/400	0.55	15.7
5SV04T005T	£729.00	3N	1016L0810	3 x 230/400	0.55	16.1
5SV04F005T	£729.00	3N	1016L0811	3 x 230/400	0.55	16.1
5SV04N005T	£902.00	3N	1016L0814	3 x 230/400	0.55	16.1
5SV05T007T/D	£775.00	3N	1016LC820	3 x 230/400	0.75	20.1
5SV05F007T/D	£775.00	3N	1016LC821	3 x 230/400	0.75	20.1
5SV05N007T/D	£948.00	3N	1016LC824	3 x 230/400	0.75	20.1
5SV06T011T/D	£802.00	3N	1016LC830	3 x 230/400	1.1	22.4
5SV06F011T/D	£802.00	3N	1016LC831	3 x 230/400	1.1	22.4
5SV06N011T/D	£975.00	3N	1016LC834	3 x 230/400	1.1	22.4
5SV07T011T/D	£920.00	3N	1016LC840	3 x 230/400	1.1	22.9
5SV07F011T/D	£920.00	3N	1016LC841	3 x 230/400	1.1	22.9
5SV07R011T/D	£920.00	3N	1016LC843	3 x 230/400	1.1	22.9
5SV07N011T/D	£1,113.00	3N	1016LC844	3 x 230/400	1.1	22.9
5SV08T011T/D	£955.00	3N	1016LC850	3 x 230/400	1.1	23.5
5SV08F011T/D	£955.00	3N	1016LC851	3 x 230/400	1.1	23.5
5SV08R011T/D	£955.00	3N	1016LC853	3 x 230/400	1.1	23.5
5SV08N011T/D	£1,141.00	3N	1016LC854	3 x 230/400	1.1	23.5
5SV09T015T/D	£1,022.00	3N	1016LC860	3 x 230/400	1.5	26
5SV09F015T/D	£1,022.00	3N	1016LC861	3 x 230/400	1.5	26
5SV09R015T/D	£1,022.00	3N	1016LC863	3 x 230/400	1.5	26
5SV09N015T/D	£1,241.00	3N	1016LC864	3 x 230/400	1.5	26
5SV10T015T/D	£1,044.00	3N	1016LC870	3 x 230/400	1.5	26.5
5SV10F015T/D	£1,044.00	3N	1016LC871	3 x 230/400	1.5	26.5
5SV10R015T/D	£1,044.00	3N	1016LC873	3 x 230/400	1.5	26.5
5SV10N015T/D	£1,298.00	3N	1016LC874	3 x 230/400	1.5	26.5
5SV11T015T/D	£1,112.00	3N	1016LC880	3 x 230/400	1.5	27
5SV11F015T/D	£1,112.00	3N	1016LC881	3 x 230/400	1.5	27
5SV11R015T/D	£1,112.00	3N	1016LC883	3 x 230/400	1.5	27
5SV11N015T/D	£1,307.00	3N	1016LC884	3 x 230/400	1.5	27
5SV12T022T	£1,137.00	3N	1016L0890	3 x 230/400	2.2	32.3
5SV12F022T	£1,137.00	3N	1016L0891	3 x 230/400	2.2	32.3
5SV12R022T	£1,137.00	3N	1016L0893	3 x 230/400	2.2	32.3
5SV12N022T	£1,329.00	3N	1016L0894	3 x 230/400	2.2	32.3



'T' version



'F' or 'N' version



'R' version

## e-SV Vertical Multistage Pumps - Series 5SV

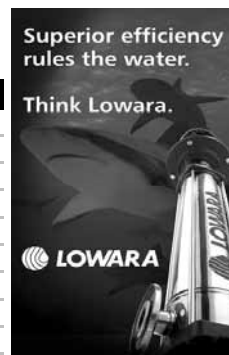


Counterflanges not included (except 'T' oval flange version).

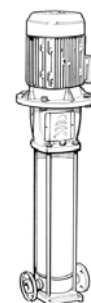
Different port connections (victaulic / clamp (DIN 32676) / threaded (DIN 11851)) on request.

Horizontal mounting kit     **£131.00**

Type	Price	Family Code	Part Number	Voltage	kW	kg
5SV13T022T	<b>£1,166.00</b>	3N	1016L0900	3 x 230/400	2.2	32.8
5SV13F022T	<b>£1,166.00</b>	3N	1016L0901	3 x 230/400	2.2	32.8
5SV13R022T	<b>£1,166.00</b>	3N	1016L0903	3 x 230/400	2.2	32.8
5SV13N022T	<b>£1,358.00</b>	3N	1016L0904	3 x 230/400	2.2	32.8
5SV14T022T	<b>£1,193.00</b>	3N	1016L0910	3 x 230/400	2.2	33.2
5SV14F022T	<b>£1,193.00</b>	3N	1016L0911	3 x 230/400	2.2	33.2
5SV14R022T	<b>£1,193.00</b>	3N	1016L0913	3 x 230/400	2.2	33.2
5SV14N022T	<b>£1,386.00</b>	3N	1016L0914	3 x 230/400	2.2	33.2
5SV15T022T	<b>£1,263.00</b>	3N	1016L0920	3 x 230/400	2.2	33.7
5SV15F022T	<b>£1,263.00</b>	3N	1016L0921	3 x 230/400	2.2	33.7
5SV15R022T	<b>£1,263.00</b>	3N	1016L0923	3 x 230/400	2.2	33.7
5SV15N022T	<b>£1,413.00</b>	3N	1016L0924	3 x 230/400	2.2	33.7
5SV16T022T	<b>£1,329.00</b>	3N	1016L0930	3 x 230/400	2.2	34.2
5SV16F022T	<b>£1,329.00</b>	3N	1016L0931	3 x 230/400	2.2	34.2
5SV16R022T	<b>£1,329.00</b>	3N	1016L0933	3 x 230/400	2.2	34.2
5SV16N022T	<b>£1,528.00</b>	3N	1016L0934	3 x 230/400	2.2	34.2
5SV18T030T	<b>£1,383.00</b>	3N	1016L0950	3 x 230/400	3	39
5SV18F030T	<b>£1,383.00</b>	3N	1016L0951	3 x 230/400	3	39
5SV18R030T	<b>£1,383.00</b>	3N	1016L0953	3 x 230/400	3	39
5SV18N030T	<b>£1,586.00</b>	3N	1016L0954	3 x 230/400	3	39
5SV21T030T	<b>£1,507.00</b>	3N	1016L0980	3 x 230/400	3	40.4
5SV21F030T	<b>£1,507.00</b>	3N	1016L0981	3 x 230/400	3	40.4
5SV21R030T	<b>£1,507.00</b>	3N	1016L0983	3 x 230/400	3	40.4
5SV21N030T	<b>£1,695.00</b>	3N	1016L0984	3 x 230/400	3	40.4
5SV23F040T	<b>£1,570.00</b>	3N	1016L1001	3 x 400/690	4	47
5SV23R040T	<b>£1,570.00</b>	3N	1016L1003	3 x 400/690	4	47
5SV23N040T	<b>£1,754.00</b>	3N	1016L1004	3 x 400/690	4	47
5SV25F040T	<b>£1,653.00</b>	3N	1016L1021	3 x 400/690	4	48
5SV25R040T	<b>£1,653.00</b>	3N	1016L1023	3 x 400/690	4	48
5SV25N040T	<b>£1,844.00</b>	3N	1016L1024	3 x 400/690	4	48
5SV28F040T	<b>£1,869.00</b>	3N	1016L1051	3 x 400/690	4	49.4
5SV28R040T	<b>£1,869.00</b>	3N	1016L1053	3 x 400/690	4	49.4
5SV28N040T	<b>£2,081.00</b>	3N	1016L1054	3 x 400/690	4	49.4
5SV30F055T	<b>£1,922.00</b>	3N	1016L1071	3 x 400/690	5.5	65.7
5SV30R055T	<b>£1,922.00</b>	3N	1016L1073	3 x 400/690	5.5	65.7
5SV30N055T	<b>£2,142.00</b>	3N	1016L1074	3 x 400/690	5.5	65.7
5SV33F055T	<b>£1,978.00</b>	3N	1016L1101	3 x 400/690	5.5	67.1
5SV33R055T	<b>£1,978.00</b>	3N	1016L1103	3 x 400/690	5.5	67.1
5SV33N055T	<b>£2,201.00</b>	3N	1016L1104	3 x 400/690	5.5	67.1



'T' version



'F' or 'N' version



'R' version



## e-SV Vertical Multistage Pumps - Series 5SV



Counterflanges not included (except 'T' oval flange version).

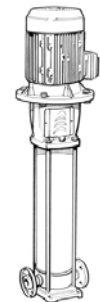
Different port connections (victaulic / clamp (DIN 32676) / threaded (DIN 11851)) on request.

Horizontal mounting kit **£131.00**

Type	Price	Family Code	Part Number	Voltage	kW	kg
5SV02T003M	£625.00	3N	1016L2510	1 x 220-240	0.37	13.2
5SV02F003M	£625.00	3N	1016L2511	1 x 220-240	0.37	13.2
5SV02N003M	£793.00	3N	1016L2514	1 x 220-240	0.37	13.2
5SV03T005M	£685.00	3N	1016L2520	1 x 220-240	0.55	15.7
5SV03F005M	£685.00	3N	1016L2521	1 x 220-240	0.55	15.7
5SV03N005M	£880.00	3N	1016L2524	1 x 220-240	0.55	15.7
5SV04T005M	£778.00	3N	1016L2530	1 x 220-240	0.55	16.1
5SV04F005M	£778.00	3N	1016L2531	1 x 220-240	0.55	16.1
5SV04N005M	£1,010.00	3N	1016L2534	1 x 220-240	0.55	16.1
5SV05T007M	£899.00	3N	1016L2540	1 x 220-240	0.75	21.5
5SV05F007M	£899.00	3N	1016L2541	1 x 220-240	0.75	21.5
5SV05N007M	£1,055.00	3N	1016L2544	1 x 220-240	0.75	21.5
5SV06T011M	£927.00	3N	1016L2550	1 x 220-240	1.1	23.6
5SV06F011M	£927.00	3N	1016L2551	1 x 220-240	1.1	23.6
5SV06N011M	£1,084.00	3N	1016L2554	1 x 220-240	1.1	23.6
5SV07T011M	£1,091.00	3N	1016L2560	1 x 220-240	1.1	24
5SV07F011M	£1,091.00	3N	1016L2561	1 x 220-240	1.1	24
5SV07R011M	£1,091.00	3N	1016L2563	1 x 220-240	1.1	24
5SV07N011M	£1,258.00	3N	1016L2564	1 x 220-240	1.1	24
5SV08T011M	£1,113.00	3N	1016L2570	1 x 220-240	1.1	24.5
5SV08F011M	£1,113.00	3N	1016L2571	1 x 220-240	1.1	24.5
5SV08R011M	£1,113.00	3N	1016L2573	1 x 220-240	1.1	24.5
5SV08N011M	£1,289.00	3N	1016L2574	1 x 220-240	1.1	24.5
5SV09T015M	£1,244.00	3N	1016L2580	1 x 220-240	1.5	30.9
5SV09F015M	£1,244.00	3N	1016L2581	1 x 220-240	1.5	30.9
5SV09R015M	£1,244.00	3N	1016L2583	1 x 220-240	1.5	30.9
5SV09N015M	£1,399.00	3N	1016L2584	1 x 220-240	1.5	30.9
5SV10T015M	£1,286.00	3N	1016L2590	1 x 220-240	1.5	31.3
5SV10F015M	£1,286.00	3N	1016L2591	1 x 220-240	1.5	31.3
5SV10R015M	£1,286.00	3N	1016L2593	1 x 220-240	1.5	31.3
5SV10N015M	£1,430.00	3N	1016L2594	1 x 220-240	1.5	31.3
5SV11T015M	£1,331.00	3N	1016L2600	1 x 220-240	1.5	31.8
5SV11F015M	£1,331.00	3N	1016L2601	1 x 220-240	1.5	31.8
5SV11R015M	£1,331.00	3N	1016L2603	1 x 220-240	1.5	31.8
5SV11N015M	£1,457.00	3N	1016L2604	1 x 220-240	1.5	31.8
5SV12T022M	£1,338.00	3N	1016L2610	1 x 220-240	2.2	32.3
5SV12F022M	£1,338.00	3N	1016L2611	1 x 220-240	2.2	32.3
5SV12R022M	£1,338.00	3N	1016L2613	1 x 220-240	2.2	32.3
5SV12N022M	£1,488.00	3N	1016L2614	1 x 220-240	2.2	32.3



'T' version



'F' or 'N' version



'R' version

## e-SV Vertical Multistage Pumps - Series 5SV



Counterflanges not included (except 'T' oval flange version).

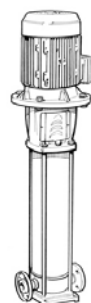
Different port connections (victaulic / clamp (DIN 32676) / threaded (DIN 11851)) on request.

Horizontal mounting kit     **£131.00**

Type	Price	Family Code	Part Number	Voltage	kW	kg
5SV13T022M	<b>£1,383.00</b>	3N	1016L2620	1 x 220-240	2.2	32.8
5SV13F022M	<b>£1,383.00</b>	3N	1016L2621	1 x 220-240	2.2	32.8
5SV13R022M	<b>£1,383.00</b>	3N	1016L2623	1 x 220-240	2.2	32.8
5SV13N022M	<b>£1,515.00</b>	3N	1016L2624	1 x 220-240	2.2	32.8
5SV14T022M	<b>£1,409.00</b>	3N	1016L2630	1 x 220-240	2.2	33.2
5SV14F022M	<b>£1,409.00</b>	3N	1016L2631	1 x 220-240	2.2	33.2
5SV14R022M	<b>£1,409.00</b>	3N	1016L2633	1 x 220-240	2.2	33.2
5SV14N022M	<b>£1,528.00</b>	3N	1016L2634	1 x 220-240	2.2	33.2
5SV15T022M	<b>£1,434.00</b>	3N	1016L2640	1 x 220-240	2.2	33.7
5SV15F022M	<b>£1,434.00</b>	3N	1016L2641	1 x 220-240	2.2	33.7
5SV15R022M	<b>£1,434.00</b>	3N	1016L2643	1 x 220-240	2.2	33.7
5SV15N022M	<b>£1,546.00</b>	3N	1016L2644	1 x 220-240	2.2	33.7
5SV16T022M	<b>£1,444.00</b>	3N	1016L2650	1 x 220-240	2.2	34.2
5SV16F022M	<b>£1,444.00</b>	3N	1016L2651	1 x 220-240	2.2	34.2
5SV16R022M	<b>£1,444.00</b>	3N	1016L2653	1 x 220-240	2.2	34.2
5SV16N022M	<b>£1,552.00</b>	3N	1016L2654	1 x 220-240	2.2	34.2



'T' version



'F' or 'N' version



'R' version

## e-SV Vertical Multistage Pumps - Series 10SV



Counterflanges not included (except 'T' oval flange version).

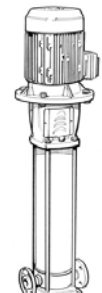
Different port connections (victaulic / clamp (DIN 32676) / threaded (DIN 11851)) on request.

Horizontal mounting kit **£140.00**

Type	Price	Family Code	Part Number	Voltage	kW	kg
10SV01T007T/D	£830.00	3N	1016LD150	3 x 230/400	0.75	24
10SV01F007T/D	£830.00	3N	1016LD151	3 x 230/400	0.75	24
10SV01N007T/D	£1,066.00	3N	1016LD154	3 x 230/400	0.75	24
10SV02T007T/D	£863.00	3N	1016LD160	3 x 230/400	0.75	24.9
10SV02F007T/D	£863.00	3N	1016LD161	3 x 230/400	0.75	24.9
10SV02N007T/D	£1,126.00	3N	1016LD164	3 x 230/400	0.75	24.9
10SV03T011T/D	£994.00	3N	1016LD170	3 x 230/400	1.1	27.6
10SV03F011T/D	£994.00	3N	1016LD171	3 x 230/400	1.1	27.6
10SV03N011T/D	£1,254.00	3N	1016LD174	3 x 230/400	1.1	27.6
10SV04T015T/D	£1,216.00	3N	1016LD180	3 x 230/400	1.5	31
10SV04F015T/D	£1,216.00	3N	1016LD181	3 x 230/400	1.5	31
10SV04N015T/D	£1,440.00	3N	1016LD184	3 x 230/400	1.5	31
10SV05T022T	£1,278.00	3N	1016L1190	3 x 230/400	2.2	36.7
10SV05F022T	£1,278.00	3N	1016L1191	3 x 230/400	2.2	36.7
10SV05R022T	£1,278.00	3N	1016L1193	3 x 230/400	2.2	36.7
10SV05N022T	£1,520.00	3N	1016L1194	3 x 230/400	2.2	36.7
10SV06T022T	£1,379.00	3N	1016L1200	3 x 230/400	2.2	37.9
10SV06F022T	£1,379.00	3N	1016L1201	3 x 230/400	2.2	37.9
10SV06R022T	£1,379.00	3N	1016L1203	3 x 230/400	2.2	37.9
10SV06N022T	£1,619.00	3N	1016L1204	3 x 230/400	2.2	37.9
10SV07T030T	£1,545.00	3N	1016L1210	3 x 230/400	3	42.5
10SV07F030T	£1,545.00	3N	1016L1211	3 x 230/400	3	42.5
10SV07R030T	£1,545.00	3N	1016L1213	3 x 230/400	3	42.5
10SV07N030T	£1,692.00	3N	1016L1214	3 x 230/400	3	42.5
10SV08T030T	£1,610.00	3N	1016L1220	3 x 230/400	3	43.4
10SV08F030T	£1,610.00	3N	1016L1221	3 x 230/400	3	43.4
10SV08R030T	£1,610.00	3N	1016L1223	3 x 230/400	3	43.4
10SV08N030T	£1,773.00	3N	1016L1224	3 x 230/400	3	43.4
10SV09T040T	£1,870.00	3N	1016L1230	3 x 400/690	4	49.7
10SV09F040T	£1,870.00	3N	1016L1231	3 x 400/690	4	49.7
10SV09R040T	£1,870.00	3N	1016L1233	3 x 400/690	4	49.7
10SV09N040T	£1,978.00	3N	1016L1234	3 x 400/690	4	49.7
10SV10T040T	£1,944.00	3N	1016L1240	3 x 400/690	4	50.7
10SV10F040T	£1,944.00	3N	1016L1241	3 x 400/690	4	50.7
10SV10R040T	£1,944.00	3N	1016L1243	3 x 400/690	4	50.7
10SV10N040T	£2,056.00	3N	1016L1244	3 x 400/690	4	50.7
10SV11T040T	£1,999.00	3N	1016L1250	3 x 400/690	4	52
10SV11F040T	£1,999.00	3N	1016L1251	3 x 400/690	4	52
10SV11R040T	£1,999.00	3N	1016L1253	3 x 400/690	4	52
10SV11N040T	£2,096.00	3N	1016L1254	3 x 400/690	4	52



'T' version



'F' or 'N' version



'R' version

## e-SV Vertical Multistage Pumps - Series 10SV



Counterflanges not included (except 'T' oval flange version).

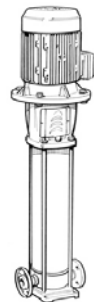
Different port connections (victaulic / clamp (DIN 32676) / threaded (DIN 11851)) on request.

Horizontal mounting kit     **£140.00**

Type	Price	Family Code	Part Number	Voltage	kW	kg
10SV13T055T	<b>£2,488.00</b>	3N	1016L1270	3 x 400/690	5.5	71
10SV13F055T	<b>£2,488.00</b>	3N	1016L1271	3 x 400/690	5.5	71
10SV13R055T	<b>£2,488.00</b>	3N	1016L1273	3 x 400/690	5.5	71
10SV13N055T	<b>£2,567.00</b>	3N	1016L1274	3 x 400/690	5.5	71
10SV15F055T	<b>£2,665.00</b>	3N	1016L1291	3 x 400/690	5.5	73
10SV15R055T	<b>£2,665.00</b>	3N	1016L1293	3 x 400/690	5.5	73
10SV15N055T	<b>£2,746.00</b>	3N	1016L1294	3 x 400/690	5.5	73
10SV17F075T	<b>£2,684.00</b>	3N	1016L1311	3 x 400/690	7.5	93
10SV17R075T	<b>£2,684.00</b>	3N	1016L1313	3 x 400/690	7.5	93
10SV17N075T	<b>£2,774.00</b>	3N	1016L1314	3 x 400/690	7.5	93
10SV18F075T	<b>£2,938.00</b>	3N	1016L1321	3 x 400/690	7.5	94
10SV18R075T	<b>£2,938.00</b>	3N	1016L1323	3 x 400/690	7.5	94
10SV18N075T	<b>£3,048.00</b>	3N	1016L1324	3 x 400/690	7.5	94
10SV20F075T	<b>£3,252.00</b>	3N	1016L1341	3 x 400/690	7.5	96
10SV20R075T	<b>£3,252.00</b>	3N	1016L1343	3 x 400/690	7.5	96
10SV20N075T	<b>£3,356.00</b>	3N	1016L1344	3 x 400/690	7.5	96
10SV21F110T	<b>£3,882.00</b>	3N	1016L1351	3 x 400/690	11	113
10SV21R110T	<b>£3,882.00</b>	3N	1016L1353	3 x 400/690	11	113
10SV21N110T	<b>£3,994.00</b>	3N	1016L1354	3 x 400/690	11	113
10SV01T007M	<b>£858.00</b>	3N	1016L2690	1 x 220-240	0.75	25.4
10SV01F007M	<b>£858.00</b>	3N	1016L2691	1 x 220-240	0.75	25.4
10SV01N007M	<b>£1,092.00</b>	3N	1016L2694	1 x 220-240	0.75	25.4
10SV02T007M	<b>£931.00</b>	3N	1016L2700	1 x 220-240	0.75	26.3
10SV02F007M	<b>£931.00</b>	3N	1016L2701	1 x 220-240	0.75	26.3
10SV02N007M	<b>£1,192.00</b>	3N	1016L2704	1 x 220-240	0.75	26.3
10SV03T011M	<b>£1,109.00</b>	3N	1016L2710	1 x 220-240	1.1	29
10SV03F011M	<b>£1,109.00</b>	3N	1016L2711	1 x 220-240	1.1	29
10SV03N011M	<b>£1,364.00</b>	3N	1016L2714	1 x 220-240	1.1	29
10SV04T015M	<b>£1,462.00</b>	3N	1016L2720	1 x 220-240	1.5	33.8
10SV04F015M	<b>£1,462.00</b>	3N	1016L2721	1 x 220-240	1.5	33.8
10SV04N015M	<b>£1,597.00</b>	3N	1016L2724	1 x 220-240	1.5	33.8
10SV05T022M	<b>£1,529.00</b>	3N	1016L2730	1 x 220-240	2.2	36.7
10SV05F022M	<b>£1,529.00</b>	3N	1016L2731	1 x 220-240	2.2	36.7
10SV05R022M	<b>£1,529.00</b>	3N	1016L2733	1 x 220-240	2.2	36.7
10SV05N022M	<b>£1,677.00</b>	3N	1016L2734	1 x 220-240	2.2	36.7
10SV06T022M	<b>£1,552.00</b>	3N	1016L2740	1 x 220-240	2.2	37.9
10SV06F022M	<b>£1,552.00</b>	3N	1016L2741	1 x 220-240	2.2	37.9
10SV06R022M	<b>£1,552.00</b>	3N	1016L2743	1 x 220-240	2.2	37.9
10SV06N022M	<b>£1,722.00</b>	3N	1016L2744	1 x 220-240	2.2	37.9



'T' version



'F' or 'N' version



'R' version

## e-SV Vertical Multistage Pumps - Series 15SV



Counterflanges not included (except 'T' oval flange version).

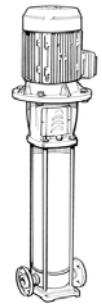
Different port connections (victaulic / clamp (DIN 32676) / threaded (DIN 11851)) on request.

Horizontal mounting kit **£140.00**

Type	Price	Family Code	Part Number	Voltage	kW	kg
15SV01T011T/D	£1,073.00	3N	1016LD400	3 x 230/400	1.1	26.8
15SV01F011T/D	£1,073.00	3N	1016LD401	3 x 230/400	1.1	26.8
15SV01N011T/D	£1,239.00	3N	1016LD404	3 x 230/400	1.1	26.8
15SV02T022T	£1,298.00	3N	1016L1410	3 x 230/400	2.2	34.7
15SV02F022T	£1,298.00	3N	1016L1411	3 x 230/400	2.2	34.7
15SV02N022T	£1,440.00	3N	1016L1414	3 x 230/400	2.2	34.7
15SV03F022T	£1,331.00	3N	1016LA711-2.2KW	3 x 230/400	2.2	37.7
15SV03T030T	£1,498.00	3N	1016L1420	3 x 230/400	3	40
15SV03F030T	£1,498.00	3N	1016L1421	3 x 230/400	3	40
15SV03N030T	£1,619.00	3N	1016L1424	3 x 230/400	3	40
15SV04F030T	£1,535.00	3N	1016L1431-3KW	3 x 230/400	3	46
15SV04T040T	£1,715.00	3N	1016L1430	3 x 400/690	4	46.8
15SV04F040T	£1,715.00	3N	1016L1431	3 x 400/690	4	46.8
15SV04R040T	£1,715.00	3N	1016L1433	3 x 400/690	4	46.8
15SV04N040T	£1,840.00	3N	1016L1434	3 x 400/690	4	46.8
15SV05T040T	£1,792.00	3N	1016L1440	3 x 400/690	4	47.9
15SV05F040T	£1,792.00	3N	1016L1441	3 x 400/690	4	47.9
15SV05R040T	£1,792.00	3N	1016L1443	3 x 400/690	4	47.9
15SV05N040T	£1,930.00	3N	1016L1444	3 x 400/690	4	47.9
15SV06T055T	£2,157.00	3N	1016L1450	3 x 400/690	5.5	67
15SV06F055T	£2,157.00	3N	1016L1451	3 x 400/690	5.5	67
15SV06R055T	£2,157.00	3N	1016L1453	3 x 400/690	5.5	67
15SV06N055T	£2,344.00	3N	1016L1454	3 x 400/690	5.5	67
15SV07T055T	£2,517.00	3N	1016L1460	3 x 400/690	5.5	68
15SV07F055T	£2,517.00	3N	1016L1461	3 x 400/690	5.5	68
15SV07R055T	£2,517.00	3N	1016L1463	3 x 400/690	5.5	68
15SV07N055T	£2,686.00	3N	1016L1464	3 x 400/690	5.5	68
15SV08T075T	£2,558.00	3N	1016L1470	3 x 400/690	7.5	88
15SV08F075T	£2,558.00	3N	1016L1471	3 x 400/690	7.5	88
15SV08R075T	£2,558.00	3N	1016L1473	3 x 400/690	7.5	88
15SV08N075T	£2,777.00	3N	1016L1474	3 x 400/690	7.5	88
15SV09T075T	£2,674.00	3N	1016L1480	3 x 400/690	7.5	90
15SV09F075T	£2,674.00	3N	1016L1481	3 x 400/690	7.5	90
15SV09R075T	£2,674.00	3N	1016L1483	3 x 400/690	7.5	90
15SV09N075T	£2,866.00	3N	1016L1484	3 x 400/690	7.5	90
15SV10T110T	£3,154.00	3N	1016L1490	3 x 400/690	11	108
15SV10F110T	£3,154.00	3N	1016L1491	3 x 400/690	11	108
15SV10R110T	£3,154.00	3N	1016L1493	3 x 400/690	11	108
15SV10N110T	£3,391.00	3N	1016L1494	3 x 400/690	11	108
15SV11F110T	£3,390.00	3N	1016L1501	3 x 400/690	11	109
15SV11R110T	£3,390.00	3N	1016L1503	3 x 400/690	11	109
15SV11N110T	£3,597.00	3N	1016L1504	3 x 400/690	11	109



'T' version



'F' or 'N' version



'R' version

## e-SV Vertical Multistage Pumps - Series 15SV



Counterflanges not included (except 'T' oval flange version).

Different port connections (victaulic / clamp (DIN 32676) / threaded (DIN 11851)) on request.

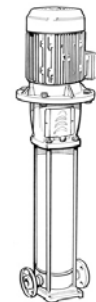
Horizontal mounting kit **£140.00**



Type	Price	Family Code	Part Number	Voltage	kW	kg
15SV13F110T	<b>£3,556.00</b>	3N	1016L1521	3 x 400/690	11	112
15SV13R110T	<b>£3,556.00</b>	3N	1016L1523	3 x 400/690	11	112
15SV13N110T	<b>£3,836.00</b>	3N	1016L1524	3 x 400/690	11	112
15SV15F150T	<b>£4,206.00</b>	3N	1016L1541	3 x 400/690	15	146
15SV15R150T	<b>£4,206.00</b>	3N	1016L1543	3 x 400/690	15	146
15SV15N150T	<b>£4,493.00</b>	3N	1016L1544	3 x 400/690	15	146
15SV17F150T	<b>£4,440.00</b>	3N	1016L1561	3 x 400/690	15	149
15SV17R150T	<b>£4,440.00</b>	3N	1016L1563	3 x 400/690	15	149
15SV17N150T	<b>£4,683.00</b>	3N	1016L1564	3 x 400/690	15	149
15SV01T011M	<b>£1,273.00</b>	3N	1016L2780	1 x 220-240	1.1	28.2
15SV01F011M	<b>£1,273.00</b>	3N	1016L2781	1 x 220-240	1.1	28.2
15SV01N011M	<b>£1,347.00</b>	3N	1016L2784	1 x 220-240	1.1	28.2
15SV02T022M	<b>£1,572.00</b>	3N	1016L2790	1 x 220-240	2.2	34.7
15SV02F022M	<b>£1,572.00</b>	3N	1016L2791	1 x 220-240	2.2	34.7
15SV02N022M	<b>£1,597.00</b>	3N	1016L2794	1 x 220-240	2.2	34.7



'T' version



'F' or 'N' version



'R' version

## e-SV Vertical Multistage Pumps - Series 22SV



Counterflanges not included (except 'T' oval flange version).

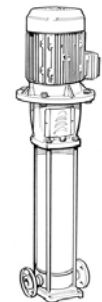
Different port connections (victaulic / clamp (DIN 32676) / threaded (DIN 11851)) on request.

Horizontal mounting kit **£140.00**

Type	Price	Family Code	Part Number	Voltage	kW	kg
22SV01T011T/D	£1,119.00	3N	1016LD610	3 x 230/400	1.1	26.9
22SV01F011T/D	£1,119.00	3N	1016LD611	3 x 230/400	1.1	26.9
22SV01N011T/D	£1,239.00	3N	1016LD614	3 x 230/400	1.1	26.9
22SV02T022T	£1,361.00	3N	1016L1620	3 x 230/400	2.2	35.4
22SV02F022T	£1,361.00	3N	1016L1621	3 x 230/400	2.2	35.4
22SV02N022T	£1,440.00	3N	1016L1624	3 x 230/400	2.2	35.4
22SV03T030T	£1,817.00	3N	1016L1630	3 x 230/400	3	40.4
22SV03F030T	£1,817.00	3N	1016L1631	3 x 230/400	3	40.4
22SV03N030T	£1,930.00	3N	1016L1634	3 x 230/400	3	40.4
22SV04T040T	£2,198.00	3N	1016L1640	3 x 400/690	4	47.1
22SV04F040T	£2,198.00	3N	1016L1641	3 x 400/690	4	47.1
22SV04R040T	£2,198.00	3N	1016L1643	3 x 400/690	4	47.1
22SV04N040T	£2,251.00	3N	1016L1644	3 x 400/690	4	47.1
22SV05T055T	£2,279.00	3N	1016L1650	3 x 400/690	5.5	65
22SV05F055T	£2,279.00	3N	1016L1651	3 x 400/690	5.5	65
22SV05R055T	£2,279.00	3N	1016L1653	3 x 400/690	5.5	65
22SV05N055T	£2,344.00	3N	1016L1654	3 x 400/690	5.5	65
22SV06T075T	£2,628.00	3N	1016L1660	3 x 400/690	7.5	84
22SV06F075T	£2,628.00	3N	1016L1661	3 x 400/690	7.5	84
22SV06R075T	£2,628.00	3N	1016L1663	3 x 400/690	7.5	84
22SV06N075T	£2,686.00	3N	1016L1664	3 x 400/690	7.5	84
22SV07T075T	£2,712.00	3N	1016L1670	3 x 400/690	7.5	86
22SV07F075T	£2,712.00	3N	1016L1671	3 x 400/690	7.5	86
22SV07R075T	£2,712.00	3N	1016L1673	3 x 400/690	7.5	86
22SV07N075T	£2,777.00	3N	1016L1674	3 x 400/690	7.5	86
22SV08T110T	£3,357.00	3N	1016L1680	3 x 400/690	11	104
22SV08F110T	£3,357.00	3N	1016L1681	3 x 400/690	11	104
22SV08R110T	£3,357.00	3N	1016L1683	3 x 400/690	11	104
22SV08N110T	£3,377.00	3N	1016L1684	3 x 400/690	11	104
22SV09T110T	£3,438.00	3N	1016L1690	3 x 400/690	11	105
22SV09F110T	£3,438.00	3N	1016L1691	3 x 400/690	11	105
22SV09R110T	£3,438.00	3N	1016L1693	3 x 400/690	11	105
22SV09N110T	£3,480.00	3N	1016L1694	3 x 400/690	11	105
22SV10T110T	£3,524.00	3N	1016L1700	3 x 400/690	11	107
22SV10F110T	£3,524.00	3N	1016L1701	3 x 400/690	11	107
22SV10R110T	£3,524.00	3N	1016L1703	3 x 400/690	11	107
22SV10N110T	£3,557.00	3N	1016L1704	3 x 400/690	11	107
22SV12F150T	£4,278.00	3N	1016L1721	3 x 400/690	15	141
22SV12R150T	£4,278.00	3N	1016L1723	3 x 400/690	15	141
22SV12N150T	£4,313.00	3N	1016L1724	3 x 400/690	15	141



'T' version



'F' or 'N' version



'R' version

## e-SV Vertical Multistage Pumps - Series 22SV



Counterflanges not included (except 'T' oval flange version).

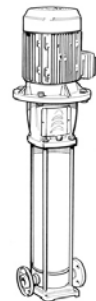
Different port connections (victaulic / clamp (DIN 32676) / threaded (DIN 11851)) on request.

Horizontal mounting kit **£140.00**

Type	Price	Family Code	Part Number	Voltage	kW	kg
22SV14F150T	<b>£4,480.00</b>	3N	1016L1741	3 x 400/690	15	144
22SV14R150T	<b>£4,480.00</b>	3N	1016L1743	3 x 400/690	15	144
22SV14N150T	<b>£4,493.00</b>	3N	1016L1744	3 x 400/690	15	144
22SV17F185T	<b>£5,280.00</b>	3N	1016L1771	3 x 400/690	18.5	156
22SV17R185T	<b>£5,280.00</b>	3N	1016L1773	3 x 400/690	18.5	156
22SV17N185T	<b>£5,294.00</b>	3N	1016L1774	3 x 400/690	18.5	156
22SV01T011M	<b>£1,408.00</b>	3N	1016L2830	1 x 220-240	1.1	28.3
22SV01F011M	<b>£1,408.00</b>	3N	1016L2831	1 x 220-240	1.1	28.3
22SV01N011M	<b>£1,931.00</b>	3N	1016L2834	1 x 220-240	1.1	28.3
22SV02T022M	<b>£1,720.00</b>	3N	1016L2840	1 x 220-240	2.2	35.4
22SV02F022M	<b>£1,720.00</b>	3N	1016L2841	1 x 220-240	2.2	35.4
22SV02N022M	<b>£2,317.00</b>	3N	1016L2844	1 x 220-240	2.2	35.4



'T' version



'F' or 'N' version

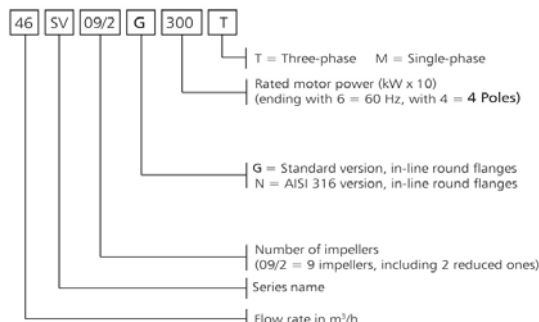


'R' version



**e-SV Vertical Multistage Pumps - Series 33-125SV (2900rpm)**

**IDENTIFICATION CODE**  
33, 46, 66, 92



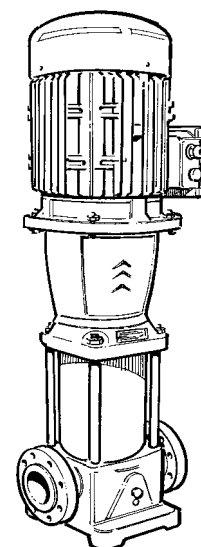
**e-SV Vertical Multistage Pumps - Series 33SV**



Horizontal mounting kit **£186.00**

Counterflanges not included.

Type	Price	Family Code	Part Number	Voltage	kW	kg
33SV1/1AG022T	£1,099.00	4D	101570011	3 x 400	2.2	73
33SV1G030T	£1,270.00	4D	101570021	3 x 400	3	73
33SV2/2AG040T	£1,502.00	4D	101570031	3 x 400	4	82.5
33SV2/1AG040T	£1,502.00	4D	101570041	3 x 400	4	82.5
33SV2G055T	£1,922.00	4D	101570051	3 x 400	5.5	98.5
33SV3/2AG055T	£1,959.00	4D	101570061	3 x 400	5.5	103
33SV3/1AG075T	£2,424.00	4D	101570071	3 x 400	7.5	121
33SV3G075T	£2,424.00	4D	101570081	3 x 400	7.5	121
33SV4/2AG075T	£2,491.00	4D	101570091	3 x 400	7.5	125
33SV4/1AG110T	£3,070.00	4D	101570101	3 x 400	11	143
33SV4G110T	£3,070.00	4D	101570111	3 x 400	11	143
33SV5/2AG110T	£3,229.00	4D	101570121	3 x 400	11	147
33SV5/1AG110T	£3,229.00	4D	101570131	3 x 400	11	147
33SV5G150T	£3,693.00	4D	101570141	3 x 400	15	179
33SV6/2AG150T	£3,919.00	4D	101570151	3 x 400	15	183
33SV6/1AG150T	£3,919.00	4D	101570161	3 x 400	15	183
33SV6G150T	£3,919.00	4D	101570171	3 x 400	15	183
33SV7/2AG150T	£3,956.00	4D	101570181	3 x 400	15	186
33SV7/1AG185T	£4,441.00	4D	101570191	3 x 400	18.5	195
33SV7G185T	£4,441.00	4D	101570201	3 x 400	18.5	195
33SV8/2AG185T	£4,478.00	4D	101570211	3 x 400	18.5	199
33SV8/1AG185T	£4,478.00	4D	101570221	3 x 400	18.5	199
33SV8G220T	£4,642.00	4D	101570231	3 x 400	22	210
33SV9/2AG220T	£5,199.00	4D	101570241	3 x 400	22	214
33SV9/1AG220T	£5,199.00	4D	101570251	3 x 400	22	214
33SV9G220T	£5,199.00	4D	101570261	3 x 400	22	214
33SV10/2AG220T	£5,360.00	4D	101570271	3 x 400	22	218
33SV10/1AG300T	£5,890.00	4D	101570281	3 x 400	30	237
33SV10G300T	£5,890.00	4D	101570291	3 x 400	30	237
33SV11/2AG300T	£5,989.00	4D	101570301	3 x 400	30	251
33SV11/1AG300T	£5,989.00	4D	101570311	3 x 400	30	251
33SV11G300T	£5,989.00	4D	101570321	3 x 400	30	251
33SV12/2AG300T	£6,154.00	4D	101570331	3 x 400	30	255
33SV12/1AG300T	£6,154.00	4D	101570341	3 x 400	30	255
33SV12G300T	£6,154.00	4D	101570351	3 x 400	30	255
33SV13/2AG300T	£6,363.00	4D	101570361	3 x 400	30	260
33SV13/1AG300T	£6,363.00	4D	101570371	3 x 400	30	260



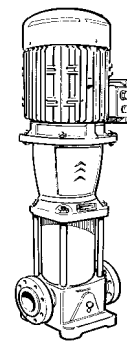
## e-SV Vertical Multistage Pumps - Series 46SV

**WRAS**  
APPROVED  
PRODUCT

Horizontal mounting kit **£186.00**

Counterflanges not included.

Type	Price	Family Code	Part Number	Voltage	kW	kg
46SV1/1AG030T	£1,106.00	4D	101572011	3 x 400	3	79
46SV1G040T	£1,332.00	4D	101572021	3 x 400	4	84.5
46SV2/2AG055T	£1,708.00	4D	101572031	3 x 400	5.5	104
46SV2G075T	£2,131.00	4D	101572041	3 x 400	7.5	122
46SV3/2AG110T	£2,864.00	4D	101572051	3 x 400	11	144
46SV3G110T	£2,864.00	4D	101572061	3 x 400	11	144
46SV4/2AG150T	£3,548.00	4D	101572071	3 x 400	15	180
46SV4G150T	£3,548.00	4D	101572081	3 x 400	15	180
46SV5/2AG185T	£4,216.00	4D	101572091	3 x 400	18.5	193
46SV5G185T	£4,216.00	4D	101572101	3 x 400	18.5	193
46SV6/2AG220T	£4,776.00	4D	101572111	3 x 400	22	208
46SV6G220T	£4,776.00	4D	101572121	3 x 400	22	208
46SV7/2AG300T	£5,295.00	4D	101572131	3 x 400	30	230
46SV7G300T	£5,295.00	4D	101572141	3 x 400	30	230
46SV8/2AG300T	£5,465.00	4D	101572151	3 x 400	30	234
46SV8G300T	£5,465.00	4D	101572161	3 x 400	30	234
46SV9/2AG300T	£5,676.00	4D	101572171	3 x 400	30	238
46SV9G370T	£6,409.00	4D	101572181	3 x 400	37	248
46SV10/2AG370T	£6,574.00	4D	101572191	3 x 400	37	257
46SV10G370T	£6,574.00	4D	101572201	3 x 400	37	257
46SV11/2AG450T	£7,706.00	4D	101572211	3 x 400	45	345
46SV11G450T	£7,706.00	4D	101572221	3 x 400	45	345
46SV12/2AG450T	£7,876.00	4D	101572231	3 x 400	45	350
46SV12G450T	£7,876.00	4D	101572241	3 x 400	45	350
46SV13/2AG450T	£8,047.00	4D	101572251	3 x 400	45	354



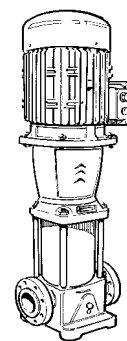
## e-SV Vertical Multistage Pumps - Series 66SV

**WRAS**  
APPROVED  
PRODUCT

Horizontal mounting kit **£186.00**

Counterflanges not included.

Type	Price	Family Code	Part Number	Voltage	kW	kg
66SV1/1AG040T	£1,309.00	4D	101574011	3 x 400	4	92.5
66SV1G055T	£1,662.00	4D	101574021	3 x 400	5.5	110
66SV2/2AG075T	£2,081.00	4D	101574031	3 x 400	7.5	133
66SV2/1AG110T	£2,759.00	4D	101574041	3 x 400	11	151
66SV2G110T	£2,759.00	4D	101574051	3 x 400	11	151
66SV3/2AG150T	£3,455.00	4D	101574061	3 x 400	15	188
66SV3/1AG150T	£3,455.00	4D	101574071	3 x 400	15	188
66SV3G185T	£3,931.00	4D	101574081	3 x 400	18.5	197
66SV4/2AG185T	£4,115.00	4D	101574091	3 x 400	18.5	203
66SV4/1AG220T	£4,606.00	4D	101574101	3 x 400	22	214
66SV4G220T	£4,606.00	4D	101574111	3 x 400	22	214
66SV5/2AG300T	£5,131.00	4D	101574121	3 x 400	30	237
66SV5/1AG300T	£5,131.00	4D	101574131	3 x 400	30	237
66SV5G300T	£5,131.00	4D	101574141	3 x 400	30	237
66SV6/2AG300T	£5,450.00	4D	101574151	3 x 400	30	245
66SV6/1AG300T	£5,450.00	4D	101574161	3 x 400	30	245
66SV6G370T	£6,200.00	4D	101574171	3 x 400	37	255
66SV7/2AG370T	£6,420.00	4D	101574181	3 x 400	37	261
66SV7/1AG370T	£6,420.00	4D	101574191	3 x 400	37	261
66SV7G450T	£7,700.00	4D	101574201	3 x 400	45	341
66SV8/2AG450T	£7,935.00	4D	101574211	3 x 400	45	346
66SV8/1AG450T	£7,935.00	4D	101574221	3 x 400	45	346
66SV8G450T	£7,935.00	4D	101574231	3 x 400	45	346



### e-SV Vertical Multistage Pumps - Series 92SV



Horizontal mounting kit **£186.00**

Counterflanges not included.

Type	Price	Family Code	Part Number	Voltage	kW	kg
92SV1/1AG055T	<b>£1,644.00</b>	4D	101576011	3 x 400	5.5	109
92SV1G075T	<b>£2,060.00</b>	4D	101576021	3 x 400	7.5	127
92SV2/2AG110T	<b>£2,697.00</b>	4D	101576031	3 x 400	11	150
92SV2G150T	<b>£3,386.00</b>	4D	101576041	3 x 400	15	182
92SV3/2AG185T	<b>£4,073.00</b>	4D	101576051	3 x 400	18.5	197
92SV3G220T	<b>£4,524.00</b>	4D	101576061	3 x 400	22	208
92SV4/2AG300T	<b>£5,047.00</b>	4D	101576071	3 x 400	30	232
92SV4G300T	<b>£5,047.00</b>	4D	101576081	3 x 400	30	232
92SV5/2AG370T	<b>£5,945.00</b>	4D	101576091	3 x 400	37	250
92SV5G370T	<b>£5,945.00</b>	4D	101576101	3 x 400	37	250
92SV6/2AG450T	<b>£7,566.00</b>	4D	101576111	3 x 400	45	335
92SV6G450T	<b>£7,566.00</b>	4D	101576121	3 x 400	45	335
92SV7/2AG450T	<b>£7,662.00</b>	4D	101576131	3 x 400	45	340



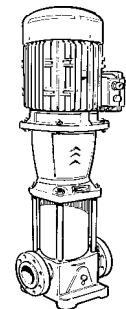
### e-SV Vertical Multistage Pumps - Series 125SV



Horizontal mounting kit **£186.00**

Counterflanges not included.

Type	Price	Family Code	Part Number	Voltage	kW	kg
125SV1G075T	<b>£3,407.00</b>	4D	101578001	3 x 400	7.5	172
125SV2G150T	<b>£4,743.00</b>	4D	101578011	3 x 400	15	233
125SV3G220T	<b>£5,262.00</b>	4D	101578021	3 x 400	22	265
125SV4G300T	<b>£5,983.00</b>	4D	101578031	3 x 400	30	388
125SV5G370T	<b>£7,228.00</b>	4D	101578041	3 x 400	37	428
125SV6G450T	<b>£7,984.00</b>	4D	101578051	3 x 400	45	544
125SV7G550T	<b>£8,708.00</b>	4D	101578061	3 x 400	55	630
125SV8/2AG550T	<b>£11,512.00</b>	4D	101578071	3 x 400	55	643



### Multistage Pumps - Series MPB / MPV / MPA / MP / MPE

#### Type MPB

Vertical multistage pump with closed, radial impellers in close coupled (block) design.

#### Type MPV

Vertical multistage pump with separate thrust bearing and flexible coupling between motor and pump shaft.

#### Type MPA

Horizontal multistage pump with end suction and discharge at drive end. Optional inducer for low NPSH applications.

#### Type MP

Horizontal multistage pump with closed, radial impellers and bearings at both ends, various flange orientations available.

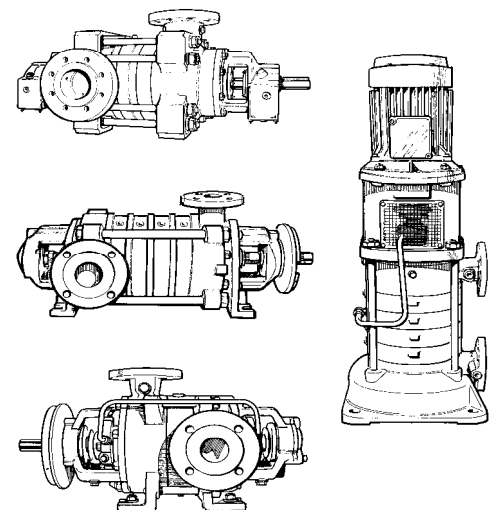
#### Type MPE

Horizontal multistage pump with bearings at both ends.

#### Performance Range

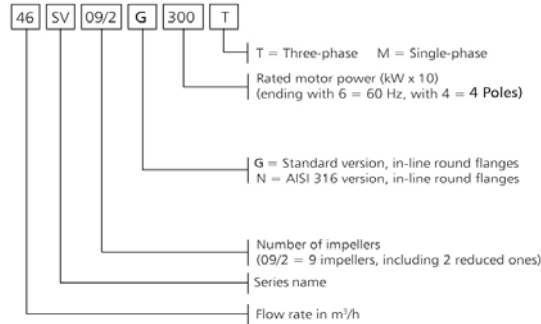
Capacities up to 2000m<sup>3</sup>/hr, heads up to 850 metres.  
Maximum temperature 140°C., maximum casing pressure 100 bar.

Please contact our sales office for prices.



## e-SV Vertical Multistage Pumps - Series 33-125SV N (2900rpm)

### IDENTIFICATION CODE 33, 46, 66, 92



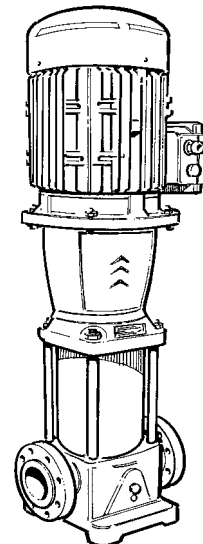
## e-SV Vertical Multistage Pumps - Series 33SV N in AISI 316



Horizontal mounting kit **£186.00**

Counterflanges not included.

Type	Price	Family Code	Part Number	Voltage	kW	kg
33SV1/1AN022T	£1,890.00	4D	101570014	3 x 400	2.2	73
33SV1N030T	£2,024.00	4D	101570024	3 x 400	3	73
33SV2/2AN040T	£2,122.00	4D	101570034	3 x 400	4	82.5
33SV2/1AN040T	£2,248.00	4D	101570044	3 x 400	4	82.5
33SV2N055T	£2,633.00	4D	101570054	3 x 400	5.5	98.5
33SV3/2AN055T	£2,633.00	4D	101570064	3 x 400	5.5	103
33SV3/1AN075T	£2,951.00	4D	101570074	3 x 400	7.5	121
33SV3N075T	£3,142.00	4D	101570084	3 x 400	7.5	121
33SV4/2AN075T	£3,181.00	4D	101570094	3 x 400	7.5	125
33SV4/1AN110T	£3,948.00	4D	101570104	3 x 400	11	143
33SV4N110T	£3,948.00	4D	101570114	3 x 400	11	143
33SV5/2AN110T	£4,122.00	4D	101570124	3 x 400	11	147
33SV5/1AN110T	£4,122.00	4D	101570134	3 x 400	11	147
33SV5N150T	£4,281.00	4D	101570144	3 x 400	15	179
33SV6/2AN150T	£5,000.00	4D	101570154	3 x 400	15	183
33SV6/1AN150T	£5,000.00	4D	101570164	3 x 400	15	183
33SV6N150T	£5,137.00	4D	101570174	3 x 400	15	183
33SV7/2AN150T	£5,173.00	4D	101570184	3 x 400	15	186
33SV7/1AN185T	£5,786.00	4D	101570194	3 x 400	18.5	195
33SV7N185T	£5,786.00	4D	101570204	3 x 400	18.5	195
33SV8/2AN185T	£6,001.00	4D	101570214	3 x 400	18.5	199
33SV8/1AN185T	£6,001.00	4D	101570224	3 x 400	18.5	199
33SV8N220T	£6,301.00	4D	101570234	3 x 400	22	210
33SV9/2AN220T	£6,666.00	4D	101570244	3 x 400	22	214
33SV9/1AN220T	£6,666.00	4D	101570254	3 x 400	22	214
33SV9N220T	£6,702.00	4D	101570264	3 x 400	22	214
33SV10/2AN220T	£6,875.00	4D	101570274	3 x 400	22	218
33SV10/1AN300T	£7,289.00	4D	101570284	3 x 400	30	237
33SV10N300T	£7,289.00	4D	101570294	3 x 400	30	237
33SV11/2AN300T	£7,783.00	4D	101570304	3 x 400	30	251
33SV11/1AN300T	£7,783.00	4D	101570314	3 x 400	30	251
33SV11N300T	£7,921.00	4D	101570324	3 x 400	30	251
33SV12/2AN300T	£7,958.00	4D	101570334	3 x 400	30	255
33SV12/1AN300T	£7,958.00	4D	101570344	3 x 400	30	255
33SV12N300T	£8,013.00	4D	101570354	3 x 400	30	255
33SV13/2AN300T	£8,179.00	4D	101570364	3 x 400	30	260
33SV13/1AN300T	£8,179.00	4D	101570374	3 x 400	30	260



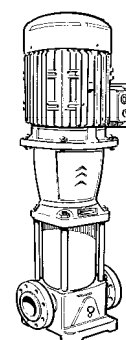
**e-SV Vertical Multistage Pumps - Series 46SV N in AISI 316**



Horizontal mounting kit **£186.00**

Counterflanges not included.

Type	Price	Family Code	Part Number	Voltage	kW	kg
46SV1/1AN030T	<b>£2,163.00</b>	4D	101572014	3 x 400	3	79
46SV1N040T	<b>£2,345.00</b>	4D	101572024	3 x 400	4	84.5
46SV2/2AN055T	<b>£2,662.00</b>	4D	101572034	3 x 400	5.5	104
46SV2N075T	<b>£3,135.00</b>	4D	101572044	3 x 400	7.5	122
46SV3/2AN110T	<b>£3,796.00</b>	4D	101572054	3 x 400	11	144
46SV3N110T	<b>£3,796.00</b>	4D	101572064	3 x 400	11	144
46SV4/2AN150T	<b>£4,608.00</b>	4D	101572074	3 x 400	15	180
46SV4N150T	<b>£4,608.00</b>	4D	101572084	3 x 400	15	180
46SV5/2AN185T	<b>£5,394.00</b>	4D	101572094	3 x 400	18.5	193
46SV5N185T	<b>£5,394.00</b>	4D	101572104	3 x 400	18.5	193
46SV6/2AN220T	<b>£6,170.00</b>	4D	101572114	3 x 400	22	208
46SV6N220T	<b>£6,170.00</b>	4D	101572124	3 x 400	22	208
46SV7/2AN300T	<b>£6,926.00</b>	4D	101572134	3 x 400	30	230
46SV7N300T	<b>£6,926.00</b>	4D	101572144	3 x 400	30	230
46SV8/2AN300T	<b>£7,138.00</b>	4D	101572154	3 x 400	30	234
46SV8N300T	<b>£7,138.00</b>	4D	101572164	3 x 400	30	234
46SV9/2AN300T	<b>£7,527.00</b>	4D	101572174	3 x 400	30	238
46SV9N370T	<b>£7,983.00</b>	4D	101572184	3 x 400	37	248
46SV10/2AN370T	<b>£8,197.00</b>	4D	101572194	3 x 400	37	257
46SV10N370T	<b>£8,197.00</b>	4D	101572204	3 x 400	37	257
46SV11/2AN450T	<b>£9,335.00</b>	4D	101572214	3 x 400	45	345
46SV11N450T	<b>£9,335.00</b>	4D	101572224	3 x 400	45	345
46SV12/2AN450T	<b>£9,530.00</b>	4D	101572234	3 x 400	45	350
46SV12N450T	<b>£9,530.00</b>	4D	101572244	3 x 400	45	350
46SV13/2AN450T	<b>£9,725.00</b>	4D	101572254	3 x 400	45	354



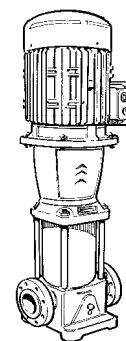
**e-SV Vertical Multistage Pumps - Series 66SV N in AISI 316**



Horizontal mounting kit **£186.00**

Counterflanges not included.

Type	Price	Family Code	Part Number	Voltage	kW	kg
66SV1/1AN040T	<b>£2,519.00</b>	4D	101574014	3 x 400	4	92.5
66SV1N055T	<b>£2,757.00</b>	4D	101574024	3 x 400	5.5	110
66SV2/2AN075T	<b>£3,194.00</b>	4D	101574034	3 x 400	7.5	133
66SV2/1AN110T	<b>£3,884.00</b>	4D	101574044	3 x 400	11	151
66SV2N110T	<b>£3,884.00</b>	4D	101574054	3 x 400	11	151
66SV3/2AN150T	<b>£4,679.00</b>	4D	101574064	3 x 400	15	188
66SV3/1AN150T	<b>£4,679.00</b>	4D	101574074	3 x 400	15	188
66SV3N185T	<b>£5,411.00</b>	4D	101574084	3 x 400	18.5	197
66SV4/2AN185T	<b>£5,598.00</b>	4D	101574094	3 x 400	18.5	203
66SV4/1AN220T	<b>£6,108.00</b>	4D	101574104	3 x 400	22	214
66SV4N220T	<b>£6,108.00</b>	4D	101574114	3 x 400	22	214
66SV5/2AN300T	<b>£6,589.00</b>	4D	101574124	3 x 400	30	237
66SV5/1AN300T	<b>£6,589.00</b>	4D	101574134	3 x 400	30	237
66SV5N300T	<b>£6,589.00</b>	4D	101574144	3 x 400	30	237
66SV6/2AN300T	<b>£6,830.00</b>	4D	101574154	3 x 400	30	245
66SV6/1AN300T	<b>£6,830.00</b>	4D	101574164	3 x 400	30	245
66SV6N370T	<b>£7,728.00</b>	4D	101574174	3 x 400	37	255
66SV7/2AN370T	<b>£7,966.00</b>	4D	101574184	3 x 400	37	261
66SV7/1AN370T	<b>£7,966.00</b>	4D	101574194	3 x 400	37	261
66SV7N450T	<b>£9,202.00</b>	4D	101574204	3 x 400	45	341
66SV8/2AN450T	<b>£9,371.00</b>	4D	101574214	3 x 400	45	346
66SV8/1AN450T	<b>£9,371.00</b>	4D	101574224	3 x 400	45	346
66SV8N450T	<b>£9,371.00</b>	4D	101574234	3 x 400	45	346



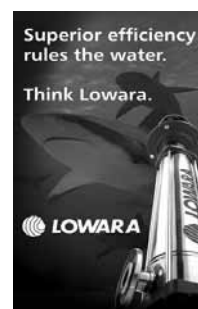
## e-SV Vertical Multistage Pumps - Series 92SV N in AISI 316



Horizontal mounting kit **£186.00**

Counterflanges not included.

Type	Price	Family Code	Part Number	Voltage	kW	kg
92SV1/1AN055T	<b>£2,607.00</b>	4D	101576014	3 x 400	5.5	109
92SV1N075T	<b>£3,133.00</b>	4D	101576024	3 x 400	7.5	127
92SV2/2AN110T	<b>£3,832.00</b>	4D	101576034	3 x 400	11	150
92SV2N150T	<b>£4,710.00</b>	4D	101576044	3 x 400	15	182
92SV3/2AN185T	<b>£5,386.00</b>	4D	101576054	3 x 400	18.5	197
92SV3N220T	<b>£5,926.00</b>	4D	101576064	3 x 400	22	208
92SV4/2AN300T	<b>£6,509.00</b>	4D	101576074	3 x 400	30	232
92SV4N300T	<b>£6,509.00</b>	4D	101576084	3 x 400	30	232
92SV5/2AN370T	<b>£7,361.00</b>	4D	101576094	3 x 400	37	250
92SV5N370T	<b>£7,361.00</b>	4D	101576104	3 x 400	37	250
92SV6/2AN450T	<b>£9,219.00</b>	4D	101576114	3 x 400	45	335
92SV6N450T	<b>£9,219.00</b>	4D	101576124	3 x 400	45	335
92SV7/2AN450T	<b>£9,413.00</b>	4D	101576134	3 x 400	45	340



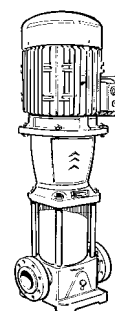
## e-SV Vertical Multistage Pumps - Series 125SV N in AISI 316



Horizontal mounting kit **£186.00**

Counterflanges not included.

Type	Price	Family Code	Part Number	Voltage	kW	kg
125SV1N075T	<b>£5,276.00</b>	4D	101578004	3 x 400	7.5	172
125SV2N150T	<b>£7,011.00</b>	4D	101578014	3 x 400	15	233
125SV3N220T	<b>£7,686.00</b>	4D	101578024	3 x 400	22	265
125SV4N300T	<b>£8,620.00</b>	4D	101578034	3 x 400	30	388
125SV5N370T	<b>£9,890.00</b>	4D	101578044	3 x 400	37	428
125SV6N450T	<b>£10,594.00</b>	4D	101578054	3 x 400	45	544
125SV7N550T	<b>£11,323.00</b>	4D	101578064	3 x 400	55	630
125SV8/2AN550T	<b>£14,723.00</b>	4D	101578074	3 x 400	55	643



## Multistage Pumps - Series MPB / MPV / MPA / MP / MPE

### Type MPB

Vertical multistage pump with closed, radial impellers in close coupled (block) design.

### Type MPV

Vertical multistage pump with separate thrust bearing and flexible coupling between motor and pump shaft.

### Type MPA

Horizontal multistage pump with end suction and discharge at drive end. Optional inducer for low NPSH applications.

### Type MP

Horizontal multistage pump with closed, radial impellers and bearings at both ends, various flange orientations available.

### Type MPE

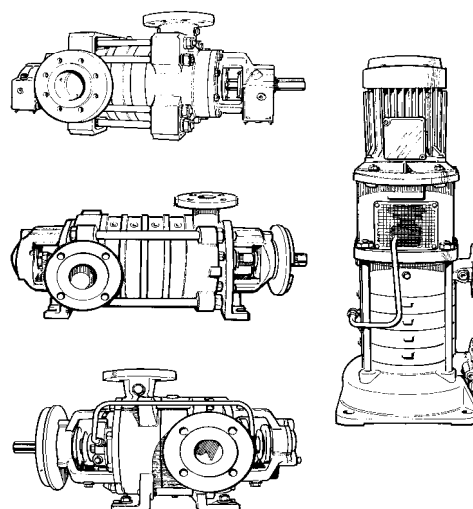
Horizontal multistage pump with bearings at both ends.

### Performance Range

Capacities up to 2000m<sup>3</sup>/hr, heads up to 850 metres.

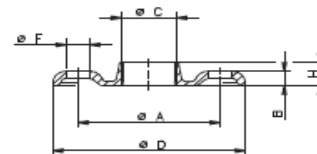
Maximum temperature 140°C., maximum casing pressure 100 bar.

Please contact our sales office for prices.



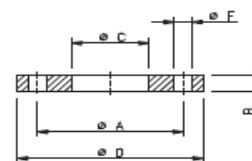
## e-SV Counterflanges

Round counterflange - threaded  
Set of 2 counterflanges with gaskets



Type	Price	Family Code	Part Number	Size Ø C	DN	PN	Counterflange Material
1SV - 3SV	£92.00	XC	109398000	Rp 1	25	25	Galvanized steel
5SV	£100.00	XC	109398010	Rp 1¼	32	25	Galvanized steel
10SV	£101.00	XC	109398020	Rp 1½	40	25	Galvanized steel
15SV - 22SV	£120.00	XC	109398030	Rp 2	50	25	Galvanized steel
1SV - 3SV	£140.00	XC	109398002	Rp 1	25	25	AISI 316L
5SV	£202.00	XC	109398012	Rp 1¼	32	25	AISI 316L
10SV	£212.00	XC	109398022	Rp 1½	40	25	AISI 316L
15SV - 22SV	£252.00	XC	109398032	Rp 2	50	25	AISI 316L
33SV	£84.00	9J	109392710	Rp 2½	65	16	Galvanized steel
46SV	£95.00	9J	109392720	Rp 3	80	16	Galvanized steel
66SV - 92SV	£109.00	9J	109392730	Rp 4	100	16	Galvanized steel
33SV N	£261.00	9J	109392750	Rp 2½	65	16	AISI 316L
46SV N	£363.00	9J	109392760	Rp 3	80	16	AISI 316L
66SV N - 92SV N	£435.00	9J	109392770	Rp 4	100	16	AISI 316L

Round counterflange - weldable  
Set of 2 counterflanges with gaskets



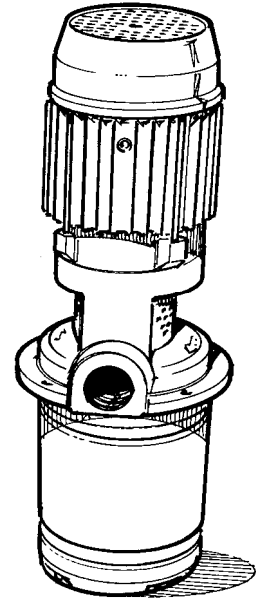
Type	Price	Family Code	Part Number	Size Ø C	DN	PN	Counterflange Material
33SV	£88.00	9J	109392800	77	65	16	Galvanized steel
46SV	£102.00	9J	109392810	90	80	16	Galvanized steel
66SV - 92SV	£114.00	9J	109392820	115.5	100	16	Galvanized steel
125SV	£132.00	9J	109398080	141	125	16	Galvanized steel
33SV	£110.00	9J	109392840	77	65	40	Galvanized steel
46SV	£128.00	9J	109392850	90	80	40	Galvanized steel
66SV - 92SV	£166.00	9J	109392860	115.5	100	40	Galvanized steel
125SV	£222.00	9J	109398090	141	125	40	Galvanized steel
33SV N	£296.00	9J	109392880	77	65	16	AISI 316L
46SV N	£308.00	9J	109392890	90	80	16	AISI 316L
66SV N - 92SV N	£364.00	9J	109392900	115.5	100	16	AISI 316L
125SV N	£560.00	9J	109398082	141	125	16	AISI 316L
33SV N	£534.00	9J	109392920	77	65	40	AISI 316L
46SV N	£572.00	9J	109392930	90	80	40	AISI 316L
66SV N - 92SV N	£759.00	9J	109392940	115.5	100	40	AISI 316L
125SV N	£1,519.00	9J	109398092	141	125	40	AISI 316L

## e-SV Accessories

Type	Price	Family Code	Part Number
Dry run sensor kit (15v DC for use with Hydrovar)	£199.00	9B	109394600
Dry run sensor kit (24v AC for general use)	£232.00	9B	109394610

## Immersible vertical multistage pumps in 304 stainless steel - Series SVI

Type	Price	Family Code	Part Number	Power kW	Shaft Length mm	Weight kg
<b>Three Phase (400/3/50)</b>						
SVI201/03E03T	£485.00	4F	107360010	0.3	106	8.8
SVI202/03E03T	£499.00	4F	107360020	0.3	106	8.9
SVI203/03E04T	£518.00	4F	107360030	0.45	106	9.8
SVI204/04E04T	£567.00	4F	107360040	0.45	131	10.6
SVI205/05E07T/D	£592.00	4F	104540040	0.75	156	15.4
SVI206/06E07T/D	£617.00	4F	104540050	0.75	181	15.8
SVI207/07E09T/D	£664.00	4F	104540060	0.9	205.5	16.9
SVI401/03E03T	£523.00	4F	107360210	0.3	106	8.8
SVI402/03E03T	£541.00	4F	107360220	0.3	106	8.9
SVI403/03E04T	£567.00	4F	107360230	0.45	106	9.8
SVI404/04E05T	£592.00	4F	107360240	0.55	131	10.6
SVI405/05E07T/D	£630.00	4F	104540120	0.75	156	15.4
SVI406/06E09T/D	£680.00	4F	104540130	0.9	181	16.5
SVI202/02S03T	£659.00	4F	107370520	0.37	106.5	14
SVI203/03S03T	£705.00	4F	107370530	0.37	131.5	14
SVI204/04S05T	£771.00	4F	107370540	0.55	156.5	15
SVI205/05S07T/D	£849.00	4F	104540230	0.75	181.5	20
SVI206/06S07T/D	£869.00	4F	104540240	0.75	206.5	20
SVI207/07S11T/D	£976.00	4F	104540250	1.1	231.5	21
SVI208/08S11T/D	£1,014.00	4F	104540260	1.1	256.5	21
SVI209/09S11T/D	£1,081.00	4F	104540270	1.1	281	22
SVI211/11S15T/D	£1,228.00	4F	104540290	1.5	331	26
SVI212/12S15T/D	£1,363.00	4F	104540300	1.5	356	26
SVI214/14S22T/C	£1,483.00	4F	104350640	2.2	406	32
SVI216/16S22T/C	£1,565.00	4F	104350660	2.2	456	33
SVI218/18S22T/C	£1,700.00	4F	104350680	2.2	506	34
SVI220/20S30T/P	£1,839.00	4F	101700700	3	556	35
SVI222/22S30T/P	£1,884.00	4F	101700720	3	606	35
SVI224/24S30T/P	£1,936.00	4F	101700740	3	655.5	36
SVI402/02S03T	£686.00	4F	107371020	0.37	106.5	14
SVI403/03S05T	£755.00	4F	107371030	0.55	131.5	14
SVI404/04S07T/D	£811.00	4F	104540520	0.75	156.5	19
SVI405/05S11T/D	£858.00	4F	104540530	1.1	181.5	20
SVI406/06S11T/D	£897.00	4F	104540540	1.1	206.5	20
SVI407/07S11T/D	£1,027.00	4F	104540550	1.1	231.5	21
SVI408/08S15T/D	£1,082.00	4F	104540560	1.5	256.5	25
SVI409/09S15T/D	£1,137.00	4F	104540570	1.5	281	25
SVI411/11S22T/C	£1,363.00	4F	104351110	2.2	331	31
SVI413/13S22T/C	£1,448.00	4F	104351130	2.2	381	32
SVI414/14S30T/P	£1,661.00	4F	101701140	3	406	35
SVI416/16S30T/P	£1,762.00	4F	101701160	3	456	35
SVI418/18S30T/P	£1,826.00	4F	101701180	3	506	35
SVI420/20S40T/P	£2,036.00	4F	101701200	4	556	51
SVI422/22S40T/P	£2,112.00	4F	101701220	4	606	51
SVI424/24S40T/P	£2,189.00	4F	101701240	4	655.5	52



**Please note:**

The pumps stated in the price list represent the standard range of products available, other options and versions are available and include:-

SVI 33, 46, 66, 92

316 Stainless Steel construction.

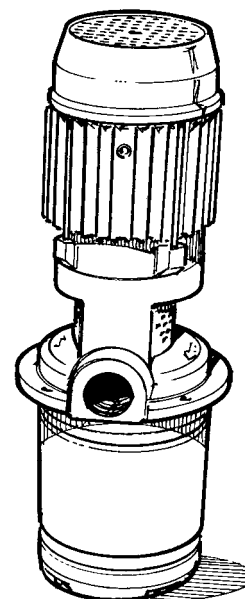
Alternative shaft lengths.

Please refer to your local sales office.



**Immersible vertical multistage pumps in 304 stainless steel - Series SVI**

Type	Price	Family Code	Part Number	Power kW	Shaft Length mm	Weight kg
<b>Three Phase (400/3/50)</b>						
SVI801/02S07T/D	£957.00	4F	104540800	0.75	146	24
SVI802/02S11T/D	£1,023.00	4F	104540810	1.1	146	25
SVI803/03S15T/D	£1,228.00	4F	104540820	1.5	184	29
SVI804/04S22T/C	£1,690.00	4F	104351540	2.2	222	35
SVI805/05S22T/C	£1,755.00	4F	104351550	2.2	260	36
SVI806/06S30T/P	£2,037.00	4F	101701560	3	297.5	40
SVI808/08S40T/P	£2,350.00	4F	101701580	4	373.5	57
SVI809/09S40T/P	£2,492.00	4F	101701590	4	411.5	58
SVI811/11S55T/P	£3,101.00	4F	101701610	5.5	487.5	69
SVI812/12S55T/P	£3,295.00	4F	101701620	5.5	525.5	70
SVI814/14S75T/P	£3,648.00	4F	101701640	7.5	601.5	88
SVI816/16S75T/P	£3,763.00	4F	101701660	7.5	677.5	89
SVI1601/02S11T/D	£1,525.00	4F	104541000	1.1	146	27
SVI1602/02S22T/C	£1,572.00	4F	104351820	2.2	146	35
SVI1603/03S30T/P	£1,730.00	4F	101701830	3	184	39
SVI1604/04S40T/P	£1,928.00	4F	101701840	4	222	57
SVI1605/05S55T/P	£2,718.00	4F	101701850	5.5	260	67
SVI1606/06S55T/P	£3,084.00	4F	101701860	5.5	297.5	68
SVI1607/07S75T/P	£3,152.00	4F	101701870	7.5	335.5	85
SVI1608/08S75T/P	£3,259.00	4F	101701880	7.5	373.5	86
SVI1610/10S110T/P	£4,713.00	4F	101701900	11	449.5	119
SVI1612/12S110T/P	£4,917.00	4F	101701920	11	525.5	121
SVI1614/14S150T/P	£5,234.00	4F	101701940	15	601.5	130
SVI1615/15S150T/P	£5,389.00	4F	101701950	15	639.5	131



**Please note:**

The pumps stated in the price list represent the standard range of products available, other options and versions are available and include:-

SVI 33, 46, 66, 92

316 Stainless Steel construction.

Alternative shaft lengths.

Please refer to your local sales office.



**Lowara Ecocirc®**  
 THE REVOLUTIONARY HIGHLY EFFICIENT CIRCULATORS FOR DOMESTIC HEATING WITH THE SIMPLE AND SHAFTLESS SPHERICAL MOTOR DESIGN AND PATENTED ANTI-BLOCK-TECHNOLOGY.



# Affordable efficiency!

Approximately 10 to 15 percent of the electricity consumption of an average household is used by domestic heating circulators. The overwhelming majority of these consists of fixed three speed standard circulators. The EU new Eco-Design Directive, the ErP-Directive EC 641/2009, starting 1st January 2013, has the purpose is to reduce significantly the energy consumption. In 2015 these strict requirements will be enforced even more.

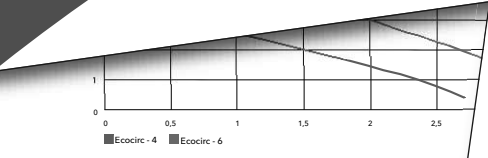
Previously there was only the choice of purchasing an inexpensive inefficient standard circulator with high energy consumption, or selecting a modern high efficiency pump which was quite costly but very energy efficient. The new Lowara Ecocirc® made by Xylem strikes the balance between these two options: a modern, price controlled high efficiency pump, which pays for itself within a short period of installation.

High efficiency technology was reduced to a simple spherical motor

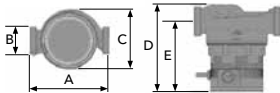
promise in high efficiency and a clear focus on high efficiency. We do best: pump more, no less!

Smart cost and without any compromises. Concentrating on the most reliable high efficiency technology and

This pump already complies with the ErP directive of 2015. High efficiency circulators have not been a new market to us: since 2009 we are one of Europe's leading high efficiency circulator manufacturers, to us high efficiency comes as standard.



Dimensions



Models	A mm	B mm
Ecocirc 25-xu/130	130	G 1/2"

Replacement guide

Grundfos	Grundfos Fixed Speed	Grundfos ErP Pump	Lowara ErP Replacement	
	UPS 15/50		Ecocirc 25-4	
	UPS 15/60		Ecocirc 25-6	
		Alpha + 15/50	Ecocirc 25-4	
		Alpha + 15/60	Ecocirc 25-6	
		Alpha 2 15/50	Ecocirc 25-4	
		Alpha 2 15/60	Ecocirc 25-6	
		Alpha 2L 15/50	Ecocirc 25-4	
		Alpha 2L 15/60	Ecocirc 25-6	
Wilo	Wilo Fixed Speed	Wilo "A" Pump	Wilo ErP Pump	Lowara ErP Replacement
	Wilo Gold 50	Smart 25/4	Stratos Pico 25/1-4	Ecocirc 25-4
	Wilo Gold 60	Smart 25/6	Stratos Pico 25/1-6	Ecocirc 25-6
Dab	Dab Fixed Speed	Dab "A" Pump	Dab ErP Pump	Lowara ErP Replacement
	VA 35/130	VEA 35/130	Evotron 40/130	Ecocirc 25-4
	VA 55/130	VEA 55/130	Evotron 60/130	Ecocirc 25-6
CPC/Myson	CPC/Myson Fixed Speed			Lowara ErP Replacement
	CP53			Ecocirc 25-4
	CP43			Ecocirc 25-6
Lowara	Lowara Fixed Speed			Lowara ErP Replacement
	TLC 25-5			Ecocirc 25-4
	TLC 25-6			Ecocirc 25-6



# Circulators

## SECTION B

## CONTENTS

### SECTION B Circulators

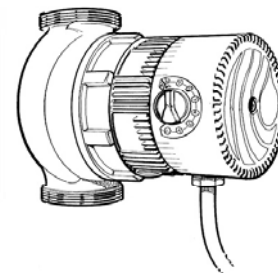
Page	57	Ecocirc Series of in-line circulator pumps
	58	EB Series of in-line circulator pumps
	58	D5 Series of in-line circulator pumps
	59	TLCB/TLCHB Series of in-line circulator pumps
	60	TLCSOL/TLCK Series of in-line circulator pumps
	61	AFLC/AFLCG Series of close coupled in-line pumps
	62	TP Condensate removal pumps
	62	SOS Mobile electric heaters
	62	BM mini/BM eco Mixing systems
	63	FCEH Variable speed in-line pumps
	64	FCE4H/FCS4H Variable speed in-line pumps
	65	FCTEH Variable speed twin-head in-line pumps
	66	FCTE4H/FCTS4H Variable speed twin-head in-line pumps
	67	FCE Series of in-line circulator pumps
	68	FCE4/FCS4 Series of in-line circulator pumps
	69	FCE4/FCS4 Series of in-line circulator pumps
	70	FCTE Series of twin-head in-line circulator pumps
	71	FCTE4/FCTS4 Series of twin-head in-line circulator pumps
	72	In-line FC-FCT accessories
	73	In-line FC-FCT accessories
	74	Triple Duty Valves & Suction Diffusers

Product line images in this price list are for illustration purpose only, product may vary.  
Lowara UK reserve the right to make modifications without prior notice.

## High efficiency variable speed circulators - Series Ecocirc

The new pump generation with minimal energy consumption, shaftless spherical motor and permanent magnet technology, combining fixed speed and automatic in one pump.  
Water circulation in residential heating, air conditioning and floor heating systems.

Flow rate: up to 3.3 m<sup>3</sup>/hr  
Head: up to 5.6 m  
Liquid temperature: -10°C to +110°C  
(not condensing, not freezing)  
Max pressure: 10 bar (PN10)  
Insulation: class F (155°C)  
Protection class: IP 44  
Fitted cable length: 2 metres  
Magnetite resistance: Anti-block technology  
Note: Suitable for installation in horizontal or vertical piping, in horizontal piping not with the motor housing upward.

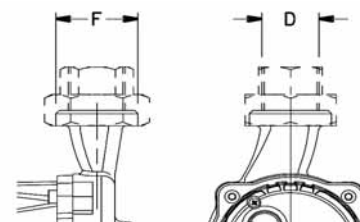


(ErP Ready 2015 except \* ErP Ready 2013)

Type	Price	Family Code	Part Number	Length mm	Port F	Weight kg
<b>Single phase: 1 x 230 V</b>						
Ecocirc 15-4/130*	£201.00	7J	605008000	130	R 1	1.1
Ecocirc 20-4/130	£207.00	7J	605008100	130	R 1½	1.2
Ecocirc 25-4/130	£192.00	7J	605008200	130	R 1½	1.3 stocked in UK
Ecocirc 25-4/180	£192.00	7J	605008300	180	R 1½	1.6
Ecocirc 32-4/180	£200.00	7J	605008400	180	R 2	1.6
Ecocirc 15-6/130*	£239.00	7J	605008050	130	R 1	1.1
Ecocirc 20-6/130	£244.00	7J	605008150	130	R 1½	1.2
Ecocirc 25-6/130	£228.00	7J	605008250	130	R 1½	1.3 stocked in UK
Ecocirc 25-6/180	£228.00	7J	605008350	180	R 1½	1.6
Ecocirc 32-6/180	£238.00	7J	605008450	180	R 2	1.6

### Accessories

Type	Price	Family Code	Part Number	Port D	Port F
<b>Pipe unions</b>					
Kit Ø ½-1	£24.00	9J	105890340	R ½	R 1
Kit Ø ¾-1¼	£24.00	9J	105890350	R ¾	R 1¼
Kit Ø 1-1½	£24.00	9J	105890200	R 1	R 1½
Kit Ø 1¼-2	£28.00	9J	105890220	R 1¼	R 2
Heat Insulation Capsule	£23.00	7Z	LH9600001		
Pump Head Removal Tool	£12.00	7Z	LH9600002		



### Replacement Guide

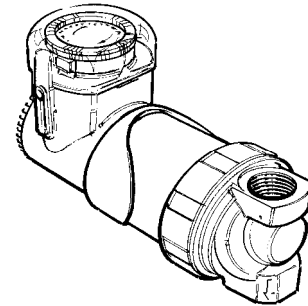
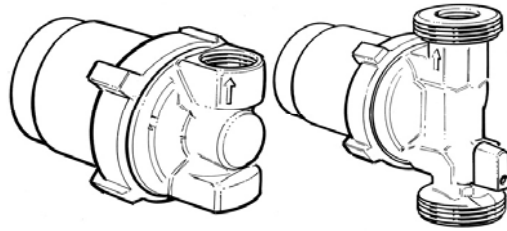
Grundfos	Grundfos Fixed Speed	Grundfos ErP Pump	Lowara ErP Replacement	
	UPS 15/50		Ecocirc 25-4	
	UPS 15/60		Ecocirc 25-6	
		Alpha + 15/50	Ecocirc 25-4	
		Alpha + 15/60	Ecocirc 25-6	
		Alpha 2 15/50	Ecocirc 25-4	
		Alpha 2 15/60	Ecocirc 25-6	
		Alpha 2L 15/50	Ecocirc 25-4	
		Alpha 2L 15/60	Ecocirc 25-6	
<b>Wilo</b>	<b>Wilo Fixed Speed</b>	<b>Wilo 'A' Pump</b>	<b>Wilo ErP Pump</b>	<b>Lowara ErP Replacement</b>
	Wilo Gold 50	Smart 25/4	Stratos Pico 25/1-4	Ecocirc 25-4
	Wilo Gold 60	Smart 25/6	Stratos Pico 25/1-6	Ecocirc 25-6
<b>Dab</b>	<b>Dab Fixed Speed</b>	<b>Dab 'A' Pump</b>	<b>Dab ErP Pump</b>	<b>Lowara ErP Replacement</b>
	VA 35/130	VEA 35/130	Evotron 40/130	Ecocirc 25-4
	VA 55/130	VEA 55/130	Evotron 60/130	Ecocirc 25-6
<b>CPC / Myson</b>	<b>CPC / Myson Fixed Speed</b>			<b>Lowara ErP Replacement</b>
	CP53			Ecocirc 25-4
	CP63			Ecocirc 25-6
<b>Lowara</b>	<b>Lowara Fixed Speed</b>			<b>Lowara ErP Replacement</b>
	TLC 25-5			Ecocirc 25-4
	TLC 25-6			Ecocirc 25-6

## High efficiency electronic circulators - Series EB (Ecocirc Bronze)

The new pump generation with minimal energy consumption, shaftless spherical motor and permanent magnet technology.  
Residential hot water secondary circulation.

Flow rate: up to 1 m<sup>3</sup>/hr  
 Head: up to 3 m  
 Liquid temperature: -10°C to +95°C (not condensing, not freezing)  
 Max pressure: 10 bar (PN10)  
 Insulation: class F (155°C)  
 Protection class: IP 44  
 Note: Suitable for installation in horizontal or vertical piping, in horizontal piping not with the motor housing upward.

Version R with temperature probe  
 Version U with timer



Type	Price	Family Code	Part Number	Length mm	Port	Weight kg
<b>Single phase: 1 x 230 V</b>						
EBV 15-1/65	£165.00	7K	605001500	65	G ½	0.7
EB 15-1/65 R	£210.00	7K	605001501	65	G ½	0.7
EBV 15-1/65 U	£232.00	7K	605001502	65	G ½	0.8
EB 15-1/65 RU	£276.00	7K	605001503	65	G ½	0.8
EBV 15-1/110	£191.00	7K	605001550	110	R 1¼	1.1
EB 15-1/110 R	£237.00	7K	605001551	110	R 1¼	1.1
EBV 15-1/110 U	£258.00	7K	605001552	110	R 1¼	1.2
EB 15-1/110 RU	£300.00	7K	605001553	110	R 1¼	1.2
EBV 15-3/65	£218.00	7K	605001600	65	G ½	0.9
EBV 15-3/110	£243.00	7K	605001650	110	R 1¼	1.3

## DC pumps - Series D5 (Ecocirc Solar / Vario)

### Ecocirc Solar

The first DC spherical motor pump for direct connection to photovoltaic panels with automatic performance optimisation using MPP technology (Maximum Power Point tracking).

### Ecocirc D5 Vario

The new DC pump generation with minimal energy consumption, shaftless spherical motor and permanent magnet technology.



Type	Price	Family Code	Part Number	Length mm	Port	Weight kg
<b>DC motor: nominal 12 volt, operating range 8-24 volt</b>						
D5solar-38/700B	£322.00	7T	LH6000403	65	G ½	0.9
D5solar-38/100B	£343.00	7T	LH6000413	110	R 1¼*	0.9
D5vario-38/700B	£243.00	7T	LH6000500	65	G ½	0.9
D5vario-38/100B	£264.00	7T	LH6000501	110	R 1¼*	0.9

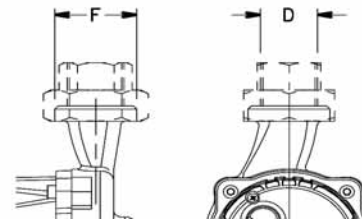


Note: the pumps on this page do not include pipe union kits.

\* These pumps can be connected to union kit part number 105890351 but also have a ½" female connection in the pump body.

## Accessories

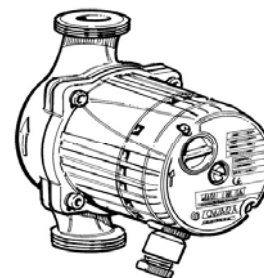
Type	Price	Family Code	Part Number	D	Port	F
<b>Pipe unions - brass fitting</b>						
Kit Ø ½-1	£42.00	9J	105890341	R ½	R 1	
Kit Ø ¾-1¼	£42.00	9J	105890351	R ¾	R 1¼	
Kit Ø 1-1½	£42.00	9J	105890201	R 1	R 1½	
Kit Ø 1¼-2	£55.00	9J	105890221	R 1¼	R 2	



### Bronze circulators - Series TLCB

Residential hot water secondary circulation.

Flow rate: up to 5 m<sup>3</sup>/hr  
 Head: up to 6 m  
 Liquid temperature: +2°C to +65°C  
 Max pressure: 10 bar (PN10)  
 Insulation: class H (180°C)  
 Protection class: IP 44  
 Note: Suitable for installation in horizontal or vertical piping, in any position provided that motor axis is horizontal.

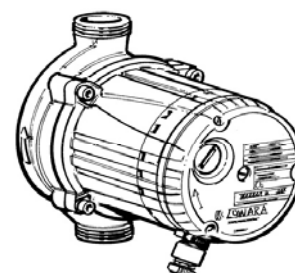


Type	Price	Family Code	Part Number	Length mm	Port F	Weight kg
<b>Single phase: 1 x 230 V</b>						
TLCB 15-1.5	£149.00	7E	105006000	130	R 1	2.9
TLCB 20-1.5M	£172.00	7E	105006040	150	R 1¼	3
TLCB 25-1.5	£172.00	7E	105006080	130	R 1½	3
TLCB 15-3	£183.00	7E	105006010	130	R 1	2.9
TLCB 20-3M	£234.00	7E	105006050	150	R 1¼	3
TLCB 25-3	£234.00	7E	105006090	130	R 1½	3
TLCB 15-4	£236.00	7E	105006020	130	R 1	2.9
TLCB 20-4M	£239.00	7E	105006060	150	R 1¼	3
TLCB 25-4	£239.00	7E	105006100	130	R 1½	3
TLCB 25-4L	£277.00	7E	105006110	180	R 1½	3.1
TLCB 15-6	£244.00	7E	105006030	130	R 1	2.9
TLCB 20-6M	£257.00	7E	105006070	150	R 1¼	3
TLCB 25-6	£257.00	7E	105006123	130	R 1½	3
TLCB 25-6L	£389.00	7E	105006120	180	R 1½	3.1

### Bronze circulators - Series TLCHB

Circulation of secondary hot water in high flow/high head installations.

Flow rate: up to 12 m<sup>3</sup>/hr  
 Head: up to 12 m  
 Liquid temperature: +2°C to +65°C  
 Max pressure: 10 bar (PN10)  
 Insulation: class H (180°C)  
 Protection class: IP 44  
 Note: Suitable for installation in horizontal or vertical piping, in any position provided that motor axis is horizontal.

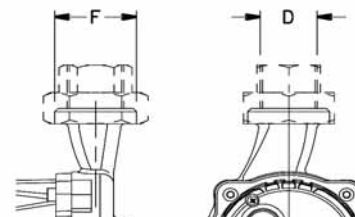


Type	Price	Family Code	Part Number	Length mm	Port F	Weight kg
<b>Single phase: 1 x 230 V</b>						
TLCHB 20-7L	£458.00	7E	105006130	180	R 1¼	6.7
TLCHB 25-7L	£461.00	7E	105006170	180	R 1½	6.7
TLCHB 20-8L	£472.00	7E	105006140	180	R 1¼	6.7
TLCHB 25-8L	£482.00	7E	105006180	180	R 1½	6.7
TLCHB 20-10L	£511.00	7E	105006150	180	R 1¼	6.7
TLCHB 25-10L	£524.00	7E	105006190	180	R 1½	6.7
TLCHB 20-12L	£537.00	7E	105006160	180	R 1¼	6.7
TLCHB 25-12L	£544.00	7E	105006200	180	R 1½	6.7

Note: the pumps on this page do not include pipe union kits.

#### Accessories

Type	Price	Family Code	Part Number	Port	
				D	F
<b>Pipe unions - brass fitting</b>					
Kit Ø ½-1	£42.00	9J	105890341	R ½	R 1
Kit Ø ¾-1¼	£42.00	9J	105890351	R ¾	R 1¼
Kit Ø 1-1½	£42.00	9J	105890201	R 1	R 1½
Kit Ø 1¼-2	£55.00	9J	105890221	R 1¼	R 2

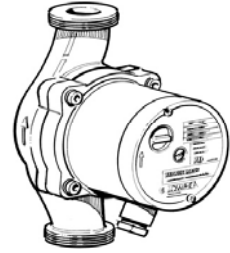




## Solar circulators - Series TLCSOL

Circulation of hot water in solar systems.

Flow rate: up to 5.5 m<sup>3</sup>/hr  
 Head: up to 6 m  
 Liquid temperature: -10°C to +110°C (1), Maximum of 50% glycol and water mixture  
 Max pressure: 10 bar (PN10)  
 Insulation: class H (180°C)  
 Protection class: IP 44  
 Note: Suitable for installation in horizontal or vertical piping, in any position provided that motor axis is horizontal.  
 (1): +130°C can be reached for max 2h



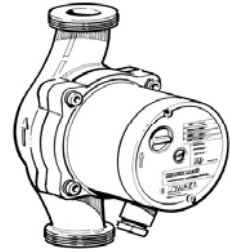
Type	Price	Family Code	Part Number	Length mm	Port F	Weight kg
<b>Single phase: 1 x 230 V</b>						
TLCSOL 15-4	£142.00	7E	105006330	130	R 1	3
TLCSOL 25-4L	£142.00	7E	105006310	180	R 1½	3
TLCSOL 15-6	£159.00	7E	105006340	130	R 1	3
TLCSOL 25-6L	£159.00	7E	105006320	180	R 1½	3

Product Comparisons		
Grundfos	Lowara	Wilo
UPS Solar 25/40 180	TCLCSOL 25-4L	Star ST 25/4
UPS Solar 25/60 180	TCLCSOL 25-6L	Star ST 25/6

## Refrigeration air condition circulators - Series TLCK

Circulation of water in air conditioning, refrigeration and geothermal systems.

Flow rate: up to 5.5 m<sup>3</sup>/hr  
 Head: up to 6 m  
 Liquid temperature: -25°C to +110°C, maximum of 50% glycol and water mixture  
 Max pressure: 10 bar (PN10)  
 Insulation: class H (180°C)  
 Protection class: IP 44  
 Note: Suitable for installation in horizontal or vertical piping, in any position provided that motor axis is horizontal.



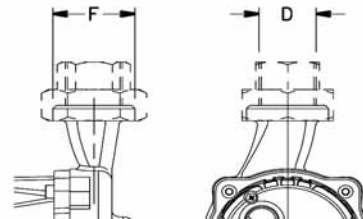
Type	Price	Family Code	Part Number	Length mm	Port F	Weight kg
<b>Single phase: 1 x 230 V</b>						
TLCK 25-4L	£153.00	7E	105006450	180	R 1½	3
TLCK 25-6L	£203.00	7E	105006460	180	R 1½	3

Product Comparisons		
Grundfos	Lowara	Wilo
UPS 25/40 K 180	TLCK 25/4L	-
UPS 25/60 K 180	TLCK 25/6L	TOP RL 25/7,5

Note: the pumps on this page do not include pipe union kits.

### Accessories

Type	Price	Family Code	Part Number	D	Port F
<b>Pipe unions</b>					
Kit Ø ½-1	£24.00	9J	105890340	R ½	R 1
Kit Ø ¾-1¼	£24.00	9J	105890350	R ¾	R 1¼
Kit Ø 1-1½	£24.00	9J	105890200	R 1	R 1½
Kit Ø 1¼-2	£28.00	9J	105890220	R 1¼	R 2

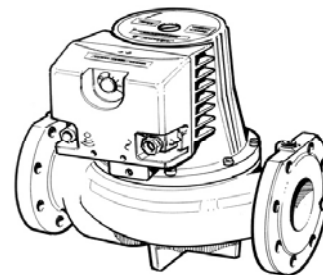




### Variable speed circulators for commercial systems - Series AFLC

Single head pumps for water circulation in heating and air conditioning systems.

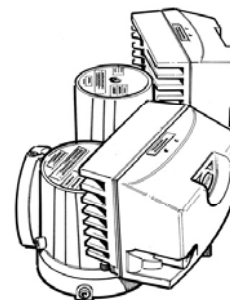
Type	Price	Family Code	Part Number	Length mm	Port	Weight kg
<b>Single phase: 1 x 230 V</b>						
AFLC 30-120	£1,242.00	7E	105008040	180	-	8.6
AFLC 30-120 MODBUS	£1,374.00	7E	105008041	180	-	8.8
AFLC 32-120	£1,413.00	7E	105008050	220	32	12.8
AFLC 32-120 MODBUS	£1,554.00	7E	105008051	220	32	14
AFLC 40-120	£1,583.00	7E	105008070	250	40	12.8
AFLC 40-120 MODBUS	£1,742.00	7E	105008071	250	40	14
AFLC 50-90	£1,813.00	7E	105008080	280	50	13.5
AFLC 50-90 MODBUS	£1,994.00	7E	105008081	280	50	17
AFLC 50-140	£2,128.00	7E	105008090	280	50	19.6
AFLC 50-140 MODBUS	£2,341.00	7E	105008091	280	50	21
AFLC 65-90	£2,060.00	7E	105008100	340	65	25.5
AFLC 65-90 MODBUS	£2,266.00	7E	105008101	340	65	26
AFLC 65-120	£2,536.00	7E	105008110	340	65	36.5
AFLC 65-120 MODBUS	£2,639.00	7E	105008111	340	65	37



### Variable speed circulators for commercial systems - Series AFLCG

Twin head pumps for water circulation in heating and air conditioning systems.

Type	Price	Family Code	Part Number	Length mm	Port	Weight kg
<b>Single phase: 1 x 230 V</b>						
AFLCG 32-120	£2,860.00	7E	105008140	220	32	21.7
AFLCG 32-120 MODBUS	£2,996.00	7E	105008141	220	32	22.5
AFLCG 40-120	£3,192.00	7E	105008160	250	40	22
AFLCG 40-120 MODBUS	£3,511.00	7E	105008161	250	40	22.8
AFLCG 50-140	£3,971.00	7E	105008170	280	50	34.1
AFLCG 50-140 MODBUS	£4,250.00	7E	105008171	280	50	34.9



Note: the pumps on this page do not include counterflange kits.

## TP Condensate Removal Pump

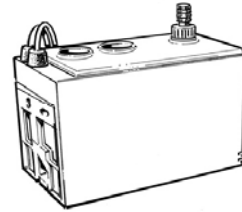
With innovative spherical motor technology for condensing boilers and air conditioning/cooling systems.

Low energy consumption.

Fully automatic & blockage resistant.

Long term quiet operation.

Ready-to-install set with pressure hose, check valve and alarm cable.

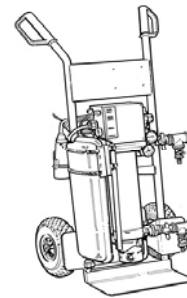


Type	Price	Family Code	Part Number	Weight kg
TP1	£225.00	7U	LH2600001	1.7

## SOS Mobile Electric Heaters

Mounted on a practical transport trolley with robust capacity stepping switch and temperature setting (20-85°C), corrosion resistant diaphragm pressure balance tank (6 litre), connection thread with ball valve 1" internal thread, filler gauge, auto-diagnosis, connection cable, including AC type CEE 32 amp plug 400 volt (cable 2.5 m).

Heat capacity up to 13kW at 400 volts.

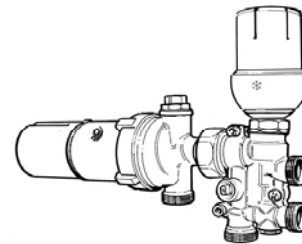


Type	Price	Family Code	Part Number	Weight kg
EPE 13 M	£2,005.00	7Y	LH5100400	40
EPE 6 M	£1,888.00	7Y	LH5100401	40

## BM mini Mixing Modules

The professional system connection for heating surfaces up to 40m<sup>2</sup>. Quick installation - Safe operation.

Excellent heat distribution due to integrated spherical motor pump. Integrated ball valve allows easy and proper priming of the underfloor heating system without disconnecting the pipes from the BM mini.



Type	Price	Family Code	Part Number	Weight kg
BM mini KF (with mechanical room temperature guided control)	£216.00	7Y	LH4900920	2.3
BM mini RT (with actuator which can be driven by a separate thermostat)	£198.00	7Y	LH4900921	2.3
BM mini KR (with integrated feed temperature control; a separate thermostat can be added to the control)	£250.00	7Y	LH4900922	2.3

## BM eco Mixing Modules

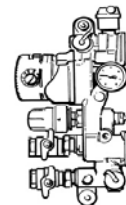
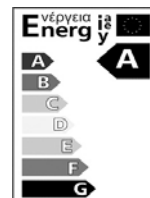
Energy Efficiency Class A

The professional system connection with feed temperature guided control for heating surfaces up to 200m<sup>2</sup>.

Quick installation - Safe operation.

Excellent heat distribution due to integrated spherical motor pump.

A low temperature heating system can be connected to a boiler loop using the mixing module, ideal to connect to customers own manifold.

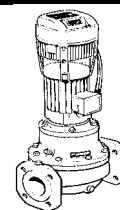


Type	Price	Family Code	Part Number	Weight kg
BM eco	£484.00	7Y	LH4900911	15
BM eco ZR	£603.00	7Y	TBC	15

## Variable speed in-line pumps - Series FCEH

Maximum operating pressure: 10 bar

Counterflanges not included.



Type	Price	Family Code	Power kW	Port	Length mm	Performance		Weight kg
						Q = m <sup>3</sup> /h	H = meter	
<b>AISI 316 stainless steel impeller except (*) cast iron impeller (bronze option available, extra £407.00 list adder)</b>								
FCEH 40-125/07/D	£1,990.00	4M	0.75	DN 40	320	6 ÷ 21	15 ÷ 4	33
FCEH 40-125/11/D	£2,000.00	4M	1.1	DN 40	320	6 ÷ 23	20 ÷ 7	34
FCEH 40-160/15/D	£2,563.00	4M	1.5	DN 40	320	6 ÷ 24	25 ÷ 9	35
FCEH 40-160/22/C	£2,911.00	4M	2.2	DN 40	320	6 ÷ 26	33 ÷ 16	39
FCEH 40-200/40A/P	£4,181.00	4M	4	DN 40	440	6 ÷ 20	39 ÷ 25	76
FCEH 40-200/40/P	£4,448.00	4M	4	DN 40	440	6 ÷ 21	47 ÷ 31	76
FCEH 40-200/55/P	£4,740.00	4M	5.5	DN 40	440	6 ÷ 23	58 ÷ 37	81
FCEH 40-250/75/P	£5,965.00	4M	7.5	DN 40	440	6 ÷ 23	71 ÷ 51	98
FCEH 40-250/110/P	£6,591.00	4M	11	DN 40	440	6 ÷ 24	81 ÷ 57	100
FCEH 50-125/11/D	£2,074.00	4M	1.1	DN 50	340	12 ÷ 39	14 ÷ 2	36
FCEH 50-125/15/D	£2,612.00	4M	1.5	DN 50	340	12 ÷ 42	18 ÷ 4	38
FCEH 50-160/22/C	£2,915.00	4M	2.2	DN 50	340	12 ÷ 45	24 ÷ 10	48
FCEH 50-160/30/P	£3,195.00	4M	3	DN 50	340	12 ÷ 48	31 ÷ 13	50
FCEH 50-160/40/P	£4,092.00	4M	4	DN 50	340	12 ÷ 51	36 ÷ 16	53
FCEH 50-200/55/P	£5,033.00	4M	5.5	DN 50	440	12 ÷ 39	44 ÷ 28	64
FCEH 50-200/75/P	£5,044.00	4M	7.5	DN 50	440	12 ÷ 42	52 ÷ 35	80
FCEH 50-250/92/P	£7,122.00	4M	9.2	DN 50	440	12 ÷ 48	59 ÷ 38	109
FCEH 50-250/110/P	£7,290.00	4M	11	DN 50	440	12 ÷ 51	66 ÷ 43	115
FCEH 50-250/150/P	£7,759.00	4M	15	DN 50	440	12 ÷ 54	79 ÷ 51	130
FCEH 65-125/22/C	£3,002.00	4M	2.2	DN 65	340	24 ÷ 63	17 ÷ 7	58
FCEH 65-125/30/P	£3,378.00	4M	3	DN 65	340	24 ÷ 66	21 ÷ 9	61
FCEH 65-125/40/P	£4,206.00	4M	4	DN 65	340	24 ÷ 72	25 ÷ 12	65
FCEH 65-160/55/P	£4,597.00	4M	5.5	DN 65	340	24 ÷ 72	33 ÷ 19	76
FCEH 65-160/75/P	£5,507.00	4M	7.5	DN 65	340	24 ÷ 78	40 ÷ 23	93
FCEH 65-200/92/P	£6,458.00	4M	9.2	DN 65	475	24 ÷ 78	48 ÷ 24	112
FCEH 65-200/110/P	£6,583.00	4M	11	DN 65	475	24 ÷ 81	55 ÷ 30	120
FCEH 65-250/150/P	£8,058.00	4M	15	DN 65	475	24 ÷ 90	66 ÷ 40	143
FCEH 65-250/185/P	£8,386.00	4M	18.5	DN 65	475	24 ÷ 93	75 ÷ 46	153
FCEH 65-250/220/P	£9,578.00	4M	22	DN 65	475	24 ÷ 96	84 ÷ 53	165
FCEH 80-125/30/P	£3,393.00	4M	3	DN 80	360	36 ÷ 84	15 ÷ 9	68
FCEH 80-125/40/P	£4,233.00	4M	4	DN 80	360	36 ÷ 90	18 ÷ 12	71
FCEH 80-125/55/P	£4,758.00	4M	5.5	DN 80	360	36 ÷ 96	22 ÷ 15	77
FCEH 80-160/75/P	£5,632.00	4M	7.5	DN 80	360	36 ÷ 105	27 ÷ 20	92
FCEH 80-200/110/P*	£6,663.00	4N	11	DN 80	500	36 ÷ 114	37 ÷ 18	128
FCEH 80-200/150/P*	£7,668.00	4N	15	DN 80	500	36 ÷ 117	46 ÷ 31	145
FCEH 80-200/185/P*	£8,433.00	4N	18.5	DN 80	500	36 ÷ 117	54 ÷ 38	155
FCEH 80-200/220/P*	£9,556.00	4N	22	DN 80	500	36 ÷ 120	61 ÷ 45	167
FCEH 100-160/110/P*	£6,210.00	4N	11	DN 100	450	60 ÷ 150	28 ÷ 20	135
FCEH 100-200/185/P*	£8,478.00	4N	18.5	DN 100	550	72 ÷ 180	40 ÷ 25	195
FCEH 100-200/220/P*	£9,716.00	4N	22	DN 100	550	72 ÷ 192	48 ÷ 31	207

**Please note:**

Hydrovars up to 0.75kW are 230/1/50 input, 1.1kW to 2.2kW are available either 230/1/50 or 400/3/50 - please specify.

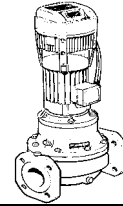
All Hydrovars 3kW and above are 400/3/50 input.

0.55kW motors are fitted with Mini-Hydrovars and differential pressure transducers.

Motors between 0.75kW and 22kW are fitted with Hydrovar complete with two pressure transducers.

## Variable speed in-line pumps - Series FCE4H / FCS4H

Maximum operating pressure: 10/13/16 bar depending on working pressure / liquid temperature.



Counterflanges not included.

Type	Price	Family Code	Power kW	Port	Length mm	Performance		Weight kg
						Q = m <sup>3</sup> /h	H = meter	
<b>AISI 316 stainless steel impeller except (*) cast iron impeller (bronze option available, extra £407.00 list adder)</b>								
FCE4H 40-200/05	£2,031.00	4M	0.55	DN 40	440	3 ÷ 11	11 ÷ 7	48
FCE4H 40-200/07/C	£2,116.00	4M	0.75	DN 40	440	3 ÷ 12	14 ÷ 8	48
FCE4H 40-250/11/P	£2,153.00	4M	1.1	DN 40	440	3 ÷ 12	18 ÷ 12	68
FCE4H 40-250/15/P	£2,804.00	4M	1.5	DN 40	440	3 ÷ 14	20 ÷ 13	69
FCE4H 50-160/05	£1,950.00	4M	0.55	DN 50	340	6 ÷ 27	9 ÷ 3	35
FCE4H 50-200/07/C	£2,454.00	4M	0.75	DN 50	440	6 ÷ 24	11 ÷ 4	57
FCE4H 50-200/11/P	£2,500.00	4M	1.1	DN 50	440	6 ÷ 26	13 ÷ 5	67
FCE4H 50-250/15/P	£3,171.00	4M	1.5	DN 50	440	6 ÷ 30	16 ÷ 7	70
FCE4H 50-250/22/P	£3,452.00	4M	2.2	DN 50	440	6 ÷ 32	19 ÷ 9	76
FCE4H 65-125/05	£2,012.00	4M	0.55	DN 65	340	12 ÷ 39	6 ÷ 2	46
FCE4H 65-160/07/C	£2,106.00	4M	0.75	DN 65	340	12 ÷ 45	8 ÷ 2	50
FCE4H 65-160/11/P	£2,139.00	4M	1.1	DN 65	340	12 ÷ 51	10 ÷ 2	58
FCE4H 65-200/15/P	£2,904.00	4M	1.5	DN 65	475	12 ÷ 45	13 ÷ 4	73
FCE4H 65-250/22/P	£3,530.00	4M	2.2	DN 65	475	12 ÷ 54	18 ÷ 7	84
FCE4H 65-250/30/P	£3,653.00	4M	3	DN 65	475	12 ÷ 57	20 ÷ 8	86
FCE4H 80-125/07/C	£2,239.00	4M	0.75	DN 80	360	18 ÷ 66	5 ÷ 2	54
FCE4H 80-125/11/P	£2,292.00	4M	1.1	DN 80	360	18 ÷ 72	6 ÷ 3	63
FCE4H 80-200/15/P*	£3,111.00	4N	1.5	DN 80	500	18 ÷ 72	6 ÷ 3	85
FCE4H 80-200/22/P*	£3,359.00	4N	2.2	DN 80	500	18 ÷ 75	13 ÷ 5	91
FCE4H 80-200/30/P*	£3,699.00	4N	3	DN 80	500	18 ÷ 81	15 ÷ 6	95
FCE4H 80-250/40/P*	£4,742.00	4N	4	DN 80	500	18 ÷ 87	19 ÷ 8	121
FCE4H 80-250/55/P*	£5,196.00	4N	5.5	DN 80	500	18 ÷ 90	22 ÷ 10	133
FCE4H 100-160/15/P*	£3,306.00	4N	1.5	DN 100	450	30 ÷ 108	7 ÷ 3	78
FCE4H 100-200/22/P*	£3,763.00	4N	2.2	DN 100	550	36 ÷ 120	9 ÷ 2	103
FCE4H 100-200/30/P*	£4,033.00	4N	3	DN 100	550	36 ÷ 126	12 ÷ 4	105
FCE4H 100-250/40/P*	£4,947.00	4N	4	DN 100	550	36 ÷ 138	16 ÷ 6	129
FCE4H 100-250/55/P*	£5,692.00	4N	5.5	DN 100	550	36 ÷ 150	19 ÷ 8	139
FCE4H 100-250/75/P*	£6,773.00	4N	7.5	DN 100	550	36 ÷ 162	23 ÷ 10	149
FCS4H 125-160/30/P*	£4,410.00	4N	3	DN 125	630	58 ÷ 180	9 ÷ 2	136
FCS4H 125-200/40/P*	£5,196.00	4N	4	DN 125	620	58 ÷ 168	11 ÷ 3	137
FCS4H 125-200/55/P*	£5,991.00	4N	5.5	DN 125	620	58 ÷ 188	14 ÷ 4	162
FCS4H 125-250/75/P*	£6,819.00	4N	7.5	DN 125	630	58 ÷ 190	19 ÷ 5	175
FCS4H 125-250/110/P*	£8,432.00	4N	11	DN 125	630	58 ÷ 220	25 ÷ 7	239
FCS4H 125-315/150/P*	£10,411.00	4N	15	DN 125	775	58 ÷ 255	26 ÷ 7	313
FCS4H 125-315/185*	£11,284.00	4N	18.5	DN 125	775	58 ÷ 280	30 ÷ 8	349
FCS4H 125-315/220*	£12,101.00	4N	22	DN 125	775	58 ÷ 300	34 ÷ 9	371
FCS4H 150-200/55/P*	£6,725.00	4N	5.5	DN 150	720	58 ÷ 222	10 ÷ 4	134
FCS4H 150-200/75/P*	£7,957.00	4N	7.5	DN 150	720	58 ÷ 250	14 ÷ 5	185
FCS4H 150-250/110/P*	£9,248.00	4N	11	DN 150	755	68 ÷ 300	17 ÷ 5	263
FCS4H 150-250/150/P*	£10,022.00	4N	15	DN 150	755	68 ÷ 320	21 ÷ 8	283
FCS4H 150-250/185*	£10,883.00	4N	18.5	DN 150	755	68 ÷ 335	24 ÷ 12	309

**Please note:**

Hydrovars up to 0.75kW are 230/1/50 input, 1.1kW to 2.2kW are available either 230/1/50 or 400/3/50 - please specify.

All Hydrovars 3kW and above are 400/3/50 input.

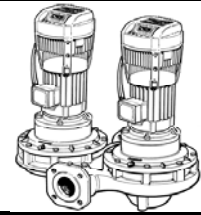
0.55kW motors are fitted with Mini-Hydrovars and differential pressure transducers.

Motors between 0.75kW and 22kW are fitted with Hydrovar complete with two pressure transducers.

## Variable speed twin-head in-line pumps - Series FCTEH

Maximum operating pressure: 10 bar

Counterflanges not included.



Type	Price	Family Code	Power kW	Port	Length mm	Performance		Weight kg
						Q = m <sup>3</sup> /h	H = meter	
<b>AISI 316 stainless steel impeller except (*) cast iron impeller (bronze option available, extra £814.00 list adder)</b>								
FCTEH 40-125/07/D	£3,977.00	4Q	0.75	DN 40	320	6 ÷ 21	16 ÷ 4	64
FCTEH 40-125/11/D	£3,995.00	4Q	1.1	DN 40	320	6 ÷ 23	20 ÷ 7	66
FCTEH 40-160/15/D	£5,122.00	4Q	1.5	DN 40	320	6 ÷ 24	26 ÷ 11	68
FCTEH 40-160/22/C	£5,825.00	4Q	2.2	DN 40	320	6 ÷ 26	33 ÷ 16	71
FCTEH 40-200/40A/P	£8,357.00	4Q	4	DN 40	440	6 ÷ 20	39 ÷ 25	147
FCTEH 40-200/40/P	£8,894.00	4Q	4	DN 40	440	6 ÷ 21	49 ÷ 33	147
FCTEH 40-200/55/P	£9,741.00	4Q	5.5	DN 40	440	6 ÷ 23	57 ÷ 39	157
FCTEH 40-250/75/P	£11,926.00	4Q	7.5	DN 40	440	6 ÷ 23	71 ÷ 53	193
FCTEH 40-250/110/P	£13,178.00	4Q	11	DN 50	440	6 ÷ 24	83 ÷ 61	195
FCTEH 50-125/11/D	£4,143.00	4Q	1.1	DN 50	340	12 ÷ 39	13 ÷ 3	65
FCTEH 50-125/15/D	£5,220.00	4Q	1.5	DN 50	340	12 ÷ 42	18 ÷ 5	71
FCTEH 50-160/22/C	£5,942.00	4Q	2.2	DN 50	340	12 ÷ 45	24 ÷ 8	84
FCTEH 50-160/30/P	£6,381.00	4Q	3	DN 50	340	12 ÷ 48	30 ÷ 11	93
FCTEH 50-160/40/P	£8,178.00	4Q	4	DN 50	340	12 ÷ 51	37 ÷ 13	99
FCTEH 50-200/55/P	£10,063.00	4Q	5.5	DN 50	440	12 ÷ 39	45 ÷ 29	124
FCTEH 50-200/75/P	£11,414.00	4Q	7.5	DN 50	440	12 ÷ 42	54 ÷ 35	156
FCTEH 50-250/92/P	£14,237.00	4Q	9.2	DN 50	440	12 ÷ 48	61 ÷ 40	214
FCTEH 50-250/110/P	£14,575.00	4Q	11	DN 50	440	12 ÷ 51	71 ÷ 47	226
FCTEH 50-250/150/P	£15,511.00	4Q	15	DN 50	440	12 ÷ 54	84 ÷ 56	256
FCTEH 65-125/22/C	£6,142.00	4Q	2.2	DN 65	340	24 ÷ 63	16 ÷ 5	110
FCTEH 65-125/30/P	£6,750.00	4Q	3	DN 65	340	24 ÷ 66	20 ÷ 7	121
FCTEH 65-125/40/P	£8,405.00	4Q	4	DN 65	340	24 ÷ 72	25 ÷ 10	129
FCTEH 65-160/55/P	£9,188.00	4Q	5.5	DN 65	340	24 ÷ 72	33 ÷ 17	153
FCTEH 65-160/75/P	£11,009.00	4Q	7.5	DN 65	340	24 ÷ 78	39 ÷ 20	187
FCTEH 65-200/92/P	£12,781.00	4Q	9.2	DN 65	475	24 ÷ 78	49 ÷ 23	218
FCTEH 65-200/110/P	£13,164.00	4Q	11	DN 65	475	24 ÷ 81	54 ÷ 25	232
FCTEH 65-250/150/P	£16,113.00	4Q	15	DN 65	475	24 ÷ 90	66 ÷ 35	278
FCTEH 65-250/185/P	£16,770.00	4Q	18.5	DN 65	475	24 ÷ 93	74 ÷ 42	282
FCTEH 65-250/220/P	£19,153.00	4Q	22	DN 65	475	24 ÷ 96	83 ÷ 49	302
FCTEH 80-125/30/P	£6,783.00	4Q	3	DN 80	400	36 ÷ 84	14 ÷ 7	135
FCTEH 80-125/40/P	£8,461.00	4Q	4	DN 80	400	36 ÷ 90	18 ÷ 10	141
FCTEH 80-125/55/P	£9,513.00	4Q	5.5	DN 80	400	36 ÷ 96	22 ÷ 14	153
FCTEH 80-160/75/P	£11,256.00	4Q	7.5	DN 80	400	36 ÷ 105	27 ÷ 18	185
FCTEH 80-200/110/P*	£13,320.00	4Q	11	DN 80	500	36 ÷ 114	38 ÷ 22	247
FCTEH 80-200/150/P*	£15,329.00	4Q	15	DN 80	500	36 ÷ 117	48 ÷ 31	281
FCTEH 80-200/185/P*	£16,864.00	4Q	18.5	DN 80	500	36 ÷ 117	54 ÷ 38	301
FCTEH 80-200/220/P*	£19,110.00	4Q	22	DN 80	500	36 ÷ 120	61 ÷ 44	325
FCTEH 100-160/110/P*	£13,564.00	4Q	11	DN 100	500	60 ÷ 150	28 ÷ 17	268
FCTEH 100-200/185/P*	£16,954.00	4Q	18.5	DN 100	550	72 ÷ 180	38 ÷ 25	393
FCTEH 100-200/220/P*	£19,432.00	4Q	22	DN 100	550	72 ÷ 192	45 ÷ 29	417

**Please note:**

Hydrovars up to 0.75kW are 230/1/50 input, 1.1kW to 2.2kW are available either 230/1/50 or 400/3/50 - please specify.

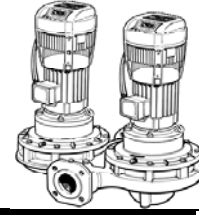
All Hydrovars 3kW and above are 400/3/50 input.

0.55kW motors are fitted with Mini-Hydrovars and differential pressure transducers.

Motors between 0.75kW and 22kW are fitted with Hydrovar complete with two pressure transducers.

## Variable speed twin-head in-line pumps - Series FCTE4H / FCTS4H

Maximum operating pressure: 10/13/16 bar depending on working pressure / liquid temperature.



Counterflanges not included.

Type	Price	Family Code	Power kW	Port	Length mm	Performance		Weight kg
						Q = m <sup>3</sup> /h	H = meter	
<b>AISI 316 stainless steel impeller except (*) cast iron impeller (bronze option available, extra £814.00 list adder)</b>								
FCTE4H 40-200/05	£4,058.00	4Q	0.55	DN 40	440	3 ÷ 11	12 ÷ 8	91
FCTE4H 40-200/07/C	£4,230.00	4Q	0.75	DN 40	440	3 ÷ 12	14 ÷ 8	91
FCTE4H 40-250/11/P	£4,304.00	4Q	1.1	DN 40	440	3 ÷ 12	18 ÷ 12	131
FCTE4H 40-250/15/P	£5,603.00	4Q	1.5	DN 40	440	3 ÷ 14	20 ÷ 13	133
FCTE4H 50-160/05	£3,896.00	4Q	0.55	DN 50	340	6 ÷ 27	9 ÷ 3	61
FCTE4H 50-200/07/C	£4,906.00	4Q	0.75	DN 50	440	6 ÷ 24	11 ÷ 4	110
FCTE4H 50-200/11/P	£4,995.00	4Q	1.1	DN 50	440	6 ÷ 26	13 ÷ 6	130
FCTE4H 50-250/15/P	£6,335.00	4Q	1.5	DN 50	440	6 ÷ 30	17 ÷ 8	136
FCTE4H 50-250/22/P	£6,901.00	4Q	2.2	DN 50	440	6 ÷ 32	20 ÷ 11	148
FCTE4H 65-125/05	£4,019.00	4Q	0.55	DN 65	340	12 ÷ 35	6 ÷ 3	91
FCTE4H 65-160/07/C	£4,210.00	4Q	0.75	DN 65	340	12 ÷ 42	8 ÷ 2	99
FCTE4H 65-160/11/P	£4,272.00	4Q	1.1	DN 65	340	12 ÷ 45	10 ÷ 3	115
FCTE4H 65-200/15/P	£5,801.00	4Q	1.5	DN 65	475	12 ÷ 45	13 ÷ 3	138
FCTE4H 65-250/22/P	£7,058.00	4Q	2.2	DN 65	475	12 ÷ 54	18 ÷ 5	160
FCTE4H 65-250/30/P	£7,302.00	4Q	3	DN 65	475	12 ÷ 57	20 ÷ 7	164
FCTE4H 80-125/07/C	£4,476.00	4Q	0.75	DN 80	400	18 ÷ 60	5 ÷ 2	106
FCTE4H 80-125/11/P	£4,583.00	4Q	1.1	DN 80	400	18 ÷ 66	7 ÷ 2	124
FCTE4H 80-200/15/P*	£6,217.00	4Q	1.5	DN 80	500	18 ÷ 66	10 ÷ 4	161
FCTE4H 80-200/22/P*	£6,713.00	4Q	2.2	DN 80	500	18 ÷ 75	13 ÷ 6	173
FCTE4H 80-200/30/P*	£7,392.00	4Q	3	DN 80	500	18 ÷ 81	15 ÷ 6	181
FCTE4H 80-250/40/P*	£9,179.00	4Q	4	DN 80	500	18 ÷ 87	19 ÷ 7	233
FCTE4H 80-250/55/P*	£9,478.00	4Q	5.5	DN 80	500	18 ÷ 90	23 ÷ 12	257
FCTE4H 100-160/15/P*	£6,610.00	4Q	1.5	DN100	500	30 ÷ 108	8 ÷ 2	154
FCTE4H 100-200/22/P*	£7,524.00	4Q	2.2	DN100	550	36 ÷ 120	9 ÷ 2	209
FCTE4H 100-200/30/P*	£8,064.00	4Q	3	DN100	550	36 ÷ 126	11 ÷ 3	213
FCTE4H 100-250/40/P*	£9,891.00	4Q	4	DN100	550	36 ÷ 138	14 ÷ 5	261
FCTE4H 100-250/55/P*	£11,381.00	4Q	5.5	DN100	550	36 ÷ 150	18 ÷ 7	281
FCTE4H 100-250/75/P*	£13,543.00	4Q	7.5	DN100	550	36 ÷ 162	21 ÷ 8	301
FCTS4H 125-160/30/P*	£8,770.00	4N	3	DN125	630	54 ÷ 180	9 ÷ 2	262
FCTS4H 125-200/40/P*	£10,345.00	4N	4	DN125	620	54 ÷ 150	12 ÷ 5	280
FCTS4H 125-200/55/P*	£11,926.00	4N	5.5	DN125	620	54 ÷ 180	14 ÷ 5	310
FCTS4H 125-250/75/P*	£13,582.00	4N	7.5	DN125	630	54 ÷ 190	19 ÷ 5	341
FCTS4H 125-250/110/P*	£16,784.00	4N	11	DN125	630	54 ÷ 220	25 ÷ 7	469
FCTS4H 150-200/55/P*	£13,378.00	4N	5.5	DN150	720	80 ÷ 220	10 ÷ 4	364
FCTS4H 150-200/75/P*	£15,836.00	4N	7.5	DN150	720	80 ÷ 249	13 ÷ 5	366
FCTS4H 150-250/110/P*	£18,400.00	4N	11	DN150	755	80 ÷ 300	17 ÷ 5	548
FCTS4H 150-250/150/P*	£19,942.00	4N	15	DN150	755	80 ÷ 320	21 ÷ 9	568
FCTS4H 150-250/185*	£21,659.00	4N	18.5	DN150	755	80 ÷ 320	24 ÷ 13	576

**Please note:**

Hydrovars up to 0.75kW are 230/1/50 input, 1.1kW to 2.2kW are available either 230/1/50 or 400/3/50 - please specify.

All Hydrovars 3kW and above are 400/3/50 input.

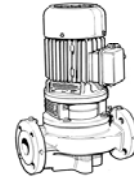
0.55kW motors are fitted with Mini-Hydrovars and differential pressure transducers.

Motors between 0.75kW and 22kW are fitted with Hydrovar complete with two pressure transducers.

## In-line pumps - Series FCE (~2900rpm)

Liquid temperature range:  
Maximum operating pressure:

-10°C to +130°C  
10 bar



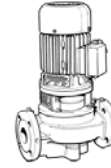
Counterflanges not included.

Type	Price	Family Code	Part Number	Voltage V	Power kW	Port	Length mm	Performance		Weight kg
								Q = m <sup>3</sup> /h	H = meter	
<b>AISI 316 stainless steel impeller except (*) cast iron impeller (bronze option available, extra £407.00 list adder)</b>										
FCEM 40-125/07	£998.00	4M	107470500	1 x 230	0.75	DN 40	320	6 ÷ 21	15 ÷ 4	30
FCEM 40-125/11	£1,006.00	4M	107470510	1 x 230	1.1	DN 40	320	6 ÷ 23	20 ÷ 7	31
FCEM 40-160/15	£1,077.00	4M	107470520	1 x 230	1.5	DN 40	320	6 ÷ 24	25 ÷ 9	34
FCEM 40-160/22/P	£1,164.00	4M	101202030	1 x 230	2.2	DN 40	320	6 ÷ 26	33 ÷ 16	35
FCEM 50-125/11	£1,091.00	4M	107470540	1 x 230	1.1	DN 50	340	12 ÷ 39	14 ÷ 2	33
FCEM 50-125/15	£1,131.00	4M	107470550	1 x 230	1.5	DN 50	340	12 ÷ 42	18 ÷ 4	38
FCEM 50-160/22/P	£1,198.00	4M	101202050	1 x 230	2.2	DN 50	340	12 ÷ 45	24 ÷ 10	44
FCEM 65-125/22/P	£1,309.00	4M	101202070	1 x 230	2.2	DN 65	340	24 ÷ 63	17 ÷ 7	54
FCE 40-125/07/D	£970.00	4M	104560000	3 x 400	0.75	DN 40	320	6 ÷ 21	15 ÷ 4	29
FCE 40-125/11/D	£980.00	4M	104560010	3 x 400	1.1	DN 40	320	6 ÷ 23	20 ÷ 7	30
FCE 40-160/15/D	£1,048.00	4M	104560020	3 x 400	1.5	DN 40	320	6 ÷ 24	25 ÷ 9	31
FCE 40-160/22/C	£1,131.00	4M	104390070	3 x 400	2.2	DN 40	320	6 ÷ 26	33 ÷ 16	35
FCE 40-200/40A/P	£1,568.00	4M	101200060	3 x 400	4	DN 40	440	6 ÷ 20	39 ÷ 25	72
FCE 40-200/40/P	£1,864.00	4M	101200070	3 x 400	4	DN 40	440	6 ÷ 21	47 ÷ 31	72
FCE 40-200/55/P	£1,991.00	4M	101200080	3 x 400	5.5	DN 40	440	6 ÷ 23	58 ÷ 37	73
FCE 40-250/75/P	£2,374.00	4M	101200100	3 x 400	7.5	DN 40	440	6 ÷ 23	71 ÷ 51	91
FCE 40-250/110/P	£2,522.00	4M	101200110	3 x 400	11	DN 40	440	6 ÷ 24	81 ÷ 57	92
FCE 50-125/11/D	£1,062.00	4M	104560090	3 x 400	1.1	DN 50	340	12 ÷ 39	14 ÷ 2	32
FCE 50-125/15/D	£1,103.00	4M	104560100	3 x 400	1.5	DN 50	340	12 ÷ 42	18 ÷ 4	34
FCE 50-160/22/C	£1,133.00	4M	104390130	3 x 400	2.2	DN 50	340	12 ÷ 45	24 ÷ 10	44
FCE 50-160/30/P	£1,269.00	4M	101200180	3 x 400	3	DN 50	340	12 ÷ 48	31 ÷ 13	46
FCE 50-160/40/P	£1,469.00	4M	101200190	3 x 400	4	DN 50	340	12 ÷ 51	36 ÷ 16	49
FCE 50-200/55/P	£2,170.00	4M	101200210	3 x 400	5.5	DN 50	440	12 ÷ 39	44 ÷ 28	56
FCE 50-200/75/P	£2,249.00	4M	101200220	3 x 400	7.5	DN 50	440	12 ÷ 42	52 ÷ 35	72
FCE 50-250/92/P	£3,107.00	4M	101200230	3 x 400	9.2	DN 50	440	12 ÷ 48	59 ÷ 38	101
FCE 50-250/110/P	£3,267.00	4M	101200240	3 x 400	11	DN 50	440	12 ÷ 51	66 ÷ 43	107
FCE 50-250/150/P	£3,292.00	4M	101200250	3 x 400	15	DN 50	440	12 ÷ 54	79 ÷ 51	115
FCE 65-125/22/C	£1,231.00	4M	104390150	3 x 400	2.2	DN 65	340	24 ÷ 63	17 ÷ 7	54
FCE 65-125/30/P	£1,469.00	4M	101200290	3 x 400	3	DN 65	340	24 ÷ 66	21 ÷ 9	57
FCE 65-125/40/P	£1,594.00	4M	101200300	3 x 400	4	DN 65	340	24 ÷ 72	25 ÷ 12	61
FCE 65-160/55/P	£1,688.00	4M	101200310	3 x 400	5.5	DN 65	340	24 ÷ 72	33 ÷ 19	69
FCE 65-160/75/P	£1,869.00	4M	101200320	3 x 400	7.5	DN 65	340	24 ÷ 78	40 ÷ 23	86
FCE 65-200/92/P	£2,378.00	4M	101200330	3 x 400	9.2	DN 65	475	24 ÷ 78	48 ÷ 24	105
FCE 65-200/110/P	£2,516.00	4M	101200340	3 x 400	11	DN 65	475	24 ÷ 81	55 ÷ 30	112
FCE 65-250/150/P	£3,594.00	4M	101200350	3 x 400	15	DN 65	475	24 ÷ 90	66 ÷ 40	128
FCE 65-250/185/P	£3,696.00	4M	101200360	3 x 400	18.5	DN 65	475	24 ÷ 93	75 ÷ 46	138
FCE 65-250/220/P	£4,483.00	4M	101200370	3 x 400	22	DN 65	475	24 ÷ 96	84 ÷ 53	150
FCE 80-125/30/P	£1,490.00	4M	101200400	3 x 400	3	DN 80	360	36 ÷ 84	15 ÷ 9	64
FCE 80-125/40/P	£1,628.00	4M	101200410	3 x 400	4	DN 80	360	36 ÷ 90	18 ÷ 12	67
FCE 80-125/55/P	£1,865.00	4M	101200420	3 x 400	5.5	DN 80	360	36 ÷ 96	22 ÷ 15	69
FCE 80-160/75/P	£2,008.00	4M	101200440	3 x 400	7.5	DN 80	360	36 ÷ 105	27 ÷ 20	85
FCE 80-200/110/P*	£2,531.00	4N	101200480	3 x 400	11	DN 80	500	36 ÷ 114	37 ÷ 18	120
FCE 80-200/150/P*	£3,077.00	4N	101200490	3 x 400	15	DN 80	500	36 ÷ 117	46 ÷ 31	130
FCE 80-200/185/P*	£3,645.00	4N	101200500	3 x 400	18.5	DN 80	500	36 ÷ 117	54 ÷ 38	140
FCE 80-200/220/P*	£4,338.00	4N	101200510	3 x 400	22	DN 80	500	36 ÷ 120	61 ÷ 45	152
FCE 100-160/110/P*	£2,047.00	4N	101200560	3 x 400	11	DN 100	450	60 ÷ 150	28 ÷ 20	127
FCE 100-200/185/P*	£3,693.00	4N	101200600	3 x 400	18.5	DN 100	550	72 ÷ 180	40 ÷ 25	180
FCE 100-200/220/P*	£4,508.00	4N	101200610	3 x 400	22	DN 100	550	72 ÷ 192	48 ÷ 31	192

## In-line pumps - Series FCE4 / FCS4 (~1450rpm)

Liquid temperature range:  
Maximum operating pressure:

FCE -10°C to +130°C (10 Bar); FCS -20°C to +140°C (13/16 Bar)  
10/13/16 bar depending on working pressure / liquid temperature



Counterflanges not included.

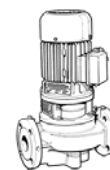
Type	Price	Family Code	Part Number	Voltage	Power kW	Port	Length mm	Performance		Weight kg
								Q = m <sup>3</sup> /h	H = meter	
<b>AISI 316 stainless steel impeller except (*) cast iron impeller (bronze option available, extra £407.00 list adder)</b>										
FCEM4 40-125/02A	£956.00	4M	107470600-240V	1 x 230	0.25	DN 40	320	3 + 11	4 + 2	24
FCEM4 40-125/02	£1,028.00	4M	107470610-240V	1 x 230	0.25	DN 40	320	3 + 11	5 + 2	24
FCEM4 40-160/02	£1,036.00	4M	107470620-240V	1 x 230	0.25	DN 40	320	3 + 12	6 + 3	25
FCEM4 40-160/03	£1,051.00	4M	107470630-240V	1 x 230	0.37	DN 40	320	3 + 14	8 + 3	26
FCSM4 40-200/05	£1,131.00	4M	107470640-240V	1 x 230	0.55	DN 40	440	3 + 11	11 + 7	56
FCSM4 40-200/07	£1,250.00	4M	107470650-240V	1 x 230	0.75	DN 40	440	3 + 12	14 + 8	59
FCSM4 40-250/11	£1,279.00	4M	101205100-240V	1 x 230	1.1	DN 40	440	3 + 12	18 + 12	67
FCSM4 40-250/15	£1,378.00	4M	101205110-240V	1 x 230	1.5	DN 40	440	3 + 14	20 + 13	69
FCEM4 50-125/02	£1,030.00	4M	107470670-240V	1 x 230	0.25	DN 50	340	6 + 21	6 + 2	28
FCEM4 50-125/03	£1,088.00	4M	107470680-240V	1 x 230	0.37	DN 50	340	6 + 24	7 + 3	29
FCSM4 50-200/07	£1,642.00	4M	107470700-240V	1 x 230	0.75	DN 50	440	6 + 24	11 + 4	62
FCSM4 50-250/11	£1,737.00	4M	101205210-240V	1 x 230	1.1	DN 50	440	6 + 26	13 + 5	72
FCSM4 50-250/15	£1,979.00	4M	101205240-240V	1 x 230	1.5	DN 50	440	6 + 30	16 + 7	73
FCSM4 50-250/22	£2,006.00	4M	101205250-240V	1 x 230	2.2	DN 50	440	6 + 32	19 + 9	78
FCEM4 65-125/03	£1,129.00	4M	107470720-240V	1 x 230	0.37	DN 65	340	12 + 33	5 + 2	38
FCSM4 65-160/07	£1,307.00	4M	107470740-240V	1 x 230	0.75	DN 65	340	12 + 45	8 + 2	48
FCSM4 65-160/11	£1,380.00	4M	101205320-240V	1 x 230	1.1	DN 65	340	12 + 51	10 + 2	55
FCSM4 65-200/15	£1,627.00	4M	101205340-240V	1 x 230	1.5	DN 65	475	12 + 45	13 + 4	72
FCSM4 65-250/22	£2,084.00	4M	101205360-240V	1 x 230	2.2	DN 65	475	12 + 54	18 + 7	84
FCSM4 80-125/07	£1,235.00	4M	107470760-240V	1 x 230	0.75	DN 80	360	18 + 66	5 + 2	54
FCSM4 80-125/11	£1,269.00	4M	101205420-240V	1 x 230	1.1	DN 80	360	18 + 72	6 + 3	66
FCSM4 80-200/15*	£1,606.00	4N	101205480-240V	1 x 230	1.5	DN 80	500	18 + 72	6 + 3	92
FCSM4 80-200/22*	£1,760.00	4N	101205490-240V	1 x 230	2.2	DN 80	500	18 + 75	13 + 5	95
FCSM4 100-160/15*	£1,860.00	4N	101205560-240V	1 x 230	1.5	DN 100	450	30 + 108	7 + 3	78
FCSM4 100-200/22*	£2,199.00	4N	101205580-240V	1 x 230	2.2	DN 100	550	36 + 120	9 + 2	85
<hr/>										
FCE4 40-125/02A	£872.00	4M	107470600	3 x 400	0.25	DN 40	320	3 + 11	4 + 2	24
FCE4 40-125/02	£941.00	4M	107470610	3 x 400	0.25	DN 40	320	3 + 11	5 + 2	24
FCE4 40-160/02	£993.00	4M	107470620	3 x 400	0.25	DN 40	320	3 + 12	6 + 3	25
FCE4 40-160/03	£1,013.00	4M	107470630	3 x 400	0.37	DN 40	320	3 + 14	8 + 3	26
FCE4 40-200/05	£1,080.00	4M	107470640	3 x 400	0.55	DN 40	440	3 + 11	11 + 7	44
FCE4 40-200/07/C	£1,108.00	4M	104392900	3 x 400	0.75	DN 40	440	3 + 12	14 + 8	44
FCE4 40-250/11/P	£1,149.00	4M	101205100	3 x 400	1.1	DN 40	440	3 + 12	18 + 12	64
FCE4 40-250/15/P	£1,312.00	4M	101205110	3 x 400	1.5	DN 40	440	3 + 14	20 + 13	65
FCE4 50-125/02	£950.00	4M	107470670	3 x 400	0.25	DN 50	340	6 + 21	6 + 2	28
FCE4 50-125/03	£972.00	4M	107470680	3 x 400	0.37	DN 50	340	6 + 24	7 + 3	29
FCE4 50-160/05	£992.00	4M	107470690	3 x 400	0.55	DN 50	340	6 + 27	9 + 3	31
FCE4 50-200/07/C	£1,481.00	4M	104392920	3 x 400	0.75	DN 50	440	6 + 24	11 + 4	53
FCE4 50-200/11/P	£1,530.00	4M	101205210	3 x 400	1.1	DN 50	440	6 + 26	13 + 5	63
FCE4 50-250/15/P	£1,714.00	4M	101205240	3 x 400	1.5	DN 50	440	6 + 30	16 + 7	66
FCE4 50-250/22/P	£1,727.00	4M	101205250	3 x 400	2.2	DN 50	440	6 + 32	19 + 9	72
FCE4 65-125/03	£1,019.00	4M	107470720	3 x 400	0.37	DN 65	340	12 + 33	5 + 2	38
FCE4 65-125/05	£1,060.00	4M	107470730	3 x 400	0.55	DN 65	340	12 + 39	6 + 2	42
FCE4 65-160/07/C	£1,098.00	4M	104392940	3 x 400	0.75	DN 65	340	12 + 45	8 + 2	46
FCE4 65-160/11/P	£1,132.00	4M	101205320	3 x 400	1.1	DN 65	340	12 + 51	10 + 2	54
FCE4 65-200/15/P	£1,422.00	4M	101205340	3 x 400	1.5	DN 65	475	12 + 45	13 + 4	69
FCE4 65-250/22/P	£1,774.00	4M	101205360	3 x 400	2.2	DN 65	475	12 + 54	18 + 7	80
FCE4 65-250/30/P	£1,813.00	4M	101205370	3 x 400	3	DN 65	475	12 + 57	20 + 8	82



### In-line pumps - Series FCE4 / FCS4 (~1450rpm)

Liquid temperature range:  
Maximum operating pressure:

FCE -10°C to +130°C (10 Bar); FCS -20°C to +140°C (13/16 Bar)  
10/13/16 bar depending on working pressure / liquid temperature

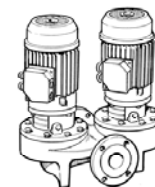


Counterflanges not included.

Type	Price	Family Code	Part Number	Voltage	Power kW	Port	Length mm	Performance		Weight kg
								Q = m <sup>3</sup> /h	H = meter	
<b>AlSi 316 stainless steel impeller except (*) cast iron impeller (bronze option available, extra £407.00 list adder)</b>										
FCE4 80-125/07/C	£1,245.00	4M	104392960	3 x 400	0.75	DN 80	360	18 ÷ 66	5 ÷ 2	50
FCE4 80-125/11/P	£1,302.00	4M	101205420	3 x 400	1.1	DN 80	360	18 ÷ 72	6 ÷ 3	59
FCE4 80-200/15/P*	£1,579.00	4N	101205480	3 x 400	1.5	DN 80	500	18 ÷ 72	6 ÷ 3	81
FCE4 80-200/22/P*	£1,605.00	4N	101205490	3 x 400	2.2	DN 80	500	18 ÷ 75	13 ÷ 5	87
FCE4 80-200/30/P*	£1,774.00	4N	101205500	3 x 400	3	DN 80	500	18 ÷ 81	15 ÷ 6	91
FCE4 80-250/40/P*	£2,127.00	4N	101205520	3 x 400	4	DN 80	500	18 ÷ 87	19 ÷ 8	117
FCE4 80-250/55/P*	£2,282.00	4N	101205530	3 x 400	5.5	DN 80	500	18 ÷ 90	22 ÷ 10	125
FCE4 100-160/15/P*	£1,814.00	4N	101205560	3 x 400	1.5	DN 100	450	30 ÷ 108	7 ÷ 3	74
FCE4 100-200/22/P*	£2,010.00	4N	101205580	3 x 400	2.2	DN 100	550	36 ÷ 120	9 ÷ 2	99
FCE4 100-200/30/P*	£2,134.00	4N	101205590	3 x 400	3	DN 100	550	36 ÷ 126	12 ÷ 4	101
FCE4 100-250/40/P*	£2,346.00	4N	101205620	3 x 400	4	DN 100	550	36 ÷ 138	16 ÷ 6	125
FCE4 100-250/55/P*	£2,813.00	4N	101205630	3 x 400	5.5	DN 100	550	36 ÷ 150	19 ÷ 8	131
FCE4 100-250/75/P*	£3,176.00	4N	101205640	3 x 400	7.5	DN 100	550	36 ÷ 162	23 ÷ 10	141
FCS4 125-160/30/P*	£2,534.00	4N	703411512	3 x 400	3	DN 125	630	58 ÷ 180	9 ÷ 2	129
FCS4 125-200/40/P*	£2,612.00	4N	703411522	3 x 400	4	DN 125	620	58 ÷ 168	11 ÷ 3	119
FCS4 125-200/55/P*	£3,133.00	4N	703411532	3 x 400	5.5	DN 125	620	58 ÷ 188	14 ÷ 4	141
FCS4 125-250/75/P*	£3,224.00	4N	703411542	3 x 400	7.5	DN 125	630	58 ÷ 190	19 ÷ 5	160
FCS4 125-250/110/P*	£4,424.00	4N	703411552	3 x 400	11	DN 125	630	58 ÷ 220	25 ÷ 7	186
FCS4 125-315/150/P*	£6,014.00	4N	703411562	3 x 400	15	DN 125	775	58 ÷ 255	26 ÷ 7	264
FCS4 125-315/185*	£6,694.00	4N	703411572	3 x 400	18.5	DN 125	775	58 ÷ 280	30 ÷ 8	334
FCS4 125-315/220*	£7,062.00	4N	703411582	3 x 400	22	DN 125	775	58 ÷ 300	34 ÷ 9	356
FCS4 150-200/55/P*	£3,919.00	4N	703411592	3 x 400	5.5	DN 150	720	58 ÷ 222	10 ÷ 4	113
FCS4 150-200/75/P*	£4,442.00	4N	703411602	3 x 400	7.5	DN 150	720	58 ÷ 250	14 ÷ 5	170
FCS4 150-250/110/P*	£5,298.00	4N	703411622	3 x 400	11	DN 150	755	68 ÷ 300	17 ÷ 5	210
FCS4 150-250/150/P*	£5,598.00	4N	703411632	3 x 400	15	DN 150	755	68 ÷ 320	21 ÷ 8	224
FCS4 150-250/185*	£6,266.00	4N	703411642	3 x 400	18.5	DN 150	755	68 ÷ 335	24 ÷ 12	294

## Twin-head in-line pumps - Series FCTE (~2900 rpm)

Liquid temperature range: -10°C to +130°C  
 Maximum operating pressure: 10 bar



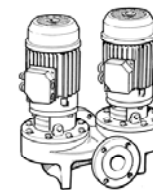
Counterflanges not included.

Type	Price	Family Code	Part Number	Voltage	Power kW	Port	Length mm	Performance		Weight kg
								Q = m <sup>3</sup> /h	H = meter	
<b>AISI 316 stainless steel impeller except (*) cast iron impeller (bronze option available, extra £814.00 list adder)</b>										
FCTEM40-125/07	£1,936.00	4Q	102180010	1 x 230	0.75	DN 40	320	6 ÷ 21	16 ÷ 4	52
FCTEM40-125/11	£1,952.00	4Q	102180020	1 x 230	1.1	DN 40	320	6 ÷ 23	20 ÷ 7	54
FCTEM40-160/15	£2,092.00	4Q	102180030	1 x 230	1.5	DN 40	320	6 ÷ 24	26 ÷ 11	56
FCTEM40-160/22/P	£2,263.00	4Q	101260040	1 x 230	2.2	DN 40	320	6 ÷ 26	33 ÷ 16	58
FCTEM50-125/11	£2,120.00	4Q	102180050	1 x 230	1.1	DN 50	340	12 ÷ 39	13 ÷ 3	53
FCTEM50-125/15	£2,199.00	4Q	102180060	1 x 230	1.5	DN 50	340	12 ÷ 42	18 ÷ 5	59
FCTEM50-160/22/P	£2,392.00	4Q	101260070	1 x 230	2.2	DN 50	340	12 ÷ 45	24 ÷ 8	71
FCTEM65-125/22/P	£2,612.00	4Q	101260080	1 x 230	2.2	DN 65	340	24 ÷ 63	16 ÷ 5	97
FCTE40-125/07/D	£1,900.00	4Q	104564400	3 x 400	0.75	DN 40	320	6 ÷ 21	16 ÷ 4	56
FCTE40-125/11/D	£1,918.00	4Q	104564410	3 x 400	1.1	DN 40	320	6 ÷ 23	20 ÷ 7	58
FCTE40-160/15/D	£2,052.00	4Q	104564420	3 x 400	1.5	DN 40	320	6 ÷ 24	26 ÷ 11	60
FCTE40-160/22/C	£2,222.00	4Q	104390630	3 x 400	2.2	DN 40	320	6 ÷ 26	33 ÷ 16	63
FCTE40-200/40A/P	£3,076.00	4Q	101260140	3 x 400	4	DN 40	440	6 ÷ 20	39 ÷ 25	139
FCTE40-200/40/P	£3,656.00	4Q	101260150	3 x 400	4	DN 40	440	6 ÷ 21	49 ÷ 33	139
FCTE40-200/55/P	£3,905.00	4Q	101260160	3 x 400	5.5	DN 40	440	6 ÷ 23	57 ÷ 39	141
FCTE40-250/75/P	£4,656.00	4Q	101260170	3 x 400	7.5	DN 40	440	6 ÷ 23	71 ÷ 53	177
FCTE40-250/110/P	£4,951.00	4Q	101260180	3 x 400	11	DN 50	440	6 ÷ 24	83 ÷ 61	179
FCTE50-125/11/D	£2,079.00	4Q	104564490	3 x 400	1.1	DN 50	340	12 ÷ 39	13 ÷ 3	57
FCTE50-125/15/D	£2,159.00	4Q	104564500	3 x 400	1.5	DN 50	340	12 ÷ 42	18 ÷ 5	63
FCTE50-160/22/C	£2,347.00	4Q	104390670	3 x 400	2.2	DN 50	340	12 ÷ 45	24 ÷ 8	82
FCTE50-160/30/P	£2,486.00	4Q	101260220	3 x 400	3	DN 50	340	12 ÷ 48	30 ÷ 11	85
FCTE50-160/40/P	£2,883.00	4Q	101260230	3 x 400	4	DN 50	340	12 ÷ 51	37 ÷ 13	91
FCTE50-200/55/P	£4,105.00	4Q	101260240	3 x 400	5.5	DN 50	440	12 ÷ 39	45 ÷ 29	108
FCTE50-200/75/P	£4,254.00	4Q	101260250	3 x 400	7.5	DN 50	440	12 ÷ 42	54 ÷ 35	140
FCTE50-250/92/P	£6,096.00	4Q	101260260	3 x 400	9.2	DN 50	440	12 ÷ 48	61 ÷ 40	198
FCTE50-250/110/P	£6,406.00	4Q	101260270	3 x 400	11	DN 50	440	12 ÷ 51	71 ÷ 47	210
FCTE50-250/150/P	£6,460.00	4Q	101260280	3 x 400	15	DN 50	440	12 ÷ 54	84 ÷ 56	226
FCTE65-125/22/C	£2,565.00	4Q	104390700	3 x 400	2.2	DN 65	340	24 ÷ 63	16 ÷ 5	102
FCTE65-125/30/P	£2,883.00	4Q	101260300	3 x 400	3	DN 65	340	24 ÷ 66	20 ÷ 7	113
FCTE65-125/40/P	£3,128.00	4Q	101260310	3 x 400	4	DN 65	340	24 ÷ 72	25 ÷ 10	121
FCTE65-160/55/P	£3,308.00	4Q	101260320	3 x 400	5.5	DN 65	340	24 ÷ 72	33 ÷ 17	137
FCTE65-160/75/P	£3,667.00	4Q	101260330	3 x 400	7.5	DN 65	340	24 ÷ 78	39 ÷ 20	171
FCTE65-200/92/P	£4,664.00	4Q	101260340	3 x 400	9.2	DN 65	475	24 ÷ 78	49 ÷ 23	202
FCTE65-200/110/P	£4,935.00	4Q	101260350	3 x 400	11	DN 65	475	24 ÷ 81	54 ÷ 25	216
FCTE65-250/150/P	£7,054.00	4Q	101260360	3 x 400	15	DN 65	475	24 ÷ 90	66 ÷ 35	248
FCTE65-250/185/P	£7,252.00	4Q	101260370	3 x 400	18.5	DN 65	475	24 ÷ 93	74 ÷ 42	252
FCTE65-250/220/P	£8,799.00	4Q	101260380	3 x 400	22	DN 65	475	24 ÷ 96	83 ÷ 49	272
FCTE80-125/30/P	£2,920.00	4Q	101260390	3 x 400	3	DN 80	400	36 ÷ 84	14 ÷ 7	127
FCTE80-125/40/P	£3,189.00	4Q	101260400	3 x 400	4	DN 80	400	36 ÷ 90	18 ÷ 10	133
FCTE80-125/55/P	£3,659.00	4Q	101260410	3 x 400	5.5	DN 80	400	36 ÷ 96	22 ÷ 14	137
FCTE80-160/75/P	£3,934.00	4Q	101260420	3 x 400	7.5	DN 80	400	36 ÷ 105	27 ÷ 18	169
FCTE80-200/110/P*	£5,106.00	4Q	101260430	3 x 400	11	DN 80	500	36 ÷ 114	38 ÷ 22	231
FCTE80-200/150/P*	£6,207.00	4Q	101260440	3 x 400	15	DN 80	500	36 ÷ 117	48 ÷ 31	251
FCTE80-200/185/P*	£7,352.00	4Q	101260450	3 x 400	18.5	DN 80	500	36 ÷ 117	54 ÷ 38	271
FCTE80-200/220/P*	£8,752.00	4Q	101260460	3 x 400	22	DN 80	500	36 ÷ 120	61 ÷ 44	295
FCTE100-160/110/P*	£5,365.00	4Q	101260470	3 x 400	11	DN 100	500	60 ÷ 150	28 ÷ 17	242
FCTE100-200/185/P*	£7,449.00	4Q	101260480	3 x 400	18.5	DN 100	550	72 ÷ 180	38 ÷ 25	363
FCTE100-200/220/P*	£9,102.00	4Q	101260490	3 x 400	22	DN 100	550	72 ÷ 192	45 ÷ 29	387

## Twin-head in-line pumps - Series FCTE4 / FCTS4 (~1450 rpm)

Liquid temperature range:  
Maximum operating pressure:

FCTE -10°C to +130°C (10 Bar); FCTS -20°C to +140°C (13/16 Bar)  
10/13/16 bar depending on working pressure / liquid temperature

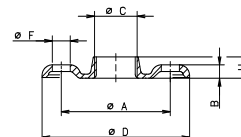


Counterflanges not included.

Type	Price	Family Code	Part Number	Voltage	Power kW	Port	Length mm	Performance		Weight kg
								Q = m <sup>3</sup> /h	H = meter	
<b>AISI 316 stainless steel impeller except (*) cast iron impeller (bronze option available, extra £814.00 list adder)</b>										
FCTE4 40-125/02A	£1,709.00	4Q	102180600	3 x 400	0.25	DN 40	320	3 ÷ 10	4 ÷ 2	46
FCTE4 40-125/02	£1,846.00	4Q	102180610	3 x 400	0.25	DN 40	320	3 ÷ 11	5 ÷ 2	46
FCTE4 40-160/02	£1,945.00	4Q	102180620	3 x 400	0.25	DN 40	320	3 ÷ 12	6 ÷ 2	48
FCTE4 40-160/03	£1,984.00	4Q	102180630	3 x 400	0.37	DN 40	320	3 ÷ 14	8 ÷ 3	50
FCTE4 40-200/05	£2,117.00	4Q	102180640	3 x 400	0.55	DN 40	440	3 ÷ 11	12 ÷ 8	83
FCTE4 40-200/07/C	£2,173.00	4Q	104393100	3 x 400	0.75	DN 40	440	3 ÷ 12	14 ÷ 8	83
FCTE4 40-250/11/P	£2,252.00	4Q	101260660	3 x 400	1.1	DN 40	440	3 ÷ 12	18 ÷ 12	123
FCTE4 40-250/15/P	£2,570.00	4Q	101260670	3 x 400	1.5	DN 40	440	3 ÷ 14	20 ÷ 13	125
FCTE4 50-125/02	£1,859.00	4Q	102180680	3 x 400	0.25	DN 50	340	6 ÷ 21	6 ÷ 2	49
FCTE4 50-125/03	£1,863.00	4Q	102180690	3 x 400	0.37	DN 50	340	6 ÷ 24	7 ÷ 2	51
FCTE4 50-160/05	£1,943.00	4Q	102180700	3 x 400	0.55	DN 50	340	6 ÷ 27	9 ÷ 3	53
FCTE4 50-200/07/C	£2,905.00	4Q	104393120	3 x 400	0.75	DN 50	440	6 ÷ 24	11 ÷ 4	102
FCTE4 50-200/11/P	£3,001.00	4Q	101260720	3 x 400	1.1	DN 50	440	6 ÷ 26	13 ÷ 6	122
FCTE4 50-250/15/P	£3,360.00	4Q	101260730	3 x 400	1.5	DN 50	440	6 ÷ 30	17 ÷ 8	128
FCTE4 50-250/22/P	£3,383.00	4Q	101260740	3 x 400	2.2	DN 50	440	6 ÷ 32	20 ÷ 11	140
FCTE4 65-125/03	£1,903.00	4Q	102180750	3 x 400	0.37	DN 65	340	12 ÷ 30	5 ÷ 2	75
FCTE4 65-125/05	£2,075.00	4Q	102180760	3 x 400	0.55	DN 65	340	12 ÷ 35	6 ÷ 3	83
FCTE4 65-160/07/C	£2,152.00	4Q	104393140	3 x 400	0.75	DN 65	340	12 ÷ 42	8 ÷ 2	91
FCTE4 65-160/11/P	£2,218.00	4Q	101260780	3 x 400	1.1	DN 65	340	12 ÷ 45	10 ÷ 3	107
FCTE4 65-200/15/P	£2,788.00	4Q	101260790	3 x 400	1.5	DN 65	475	12 ÷ 45	13 ÷ 3	130
FCTE4 65-250/22/P	£3,479.00	4Q	101260800	3 x 400	2.2	DN 65	475	12 ÷ 54	18 ÷ 5	152
FCTE4 65-250/30/P	£3,555.00	4Q	101260810	3 x 400	3	DN 65	475	12 ÷ 57	20 ÷ 7	156
FCTE4 80-125/07/C	£2,440.00	4Q	104393160	3 x 400	0.75	DN 80	400	18 ÷ 60	5 ÷ 2	98
FCTE4 80-125/11/P	£2,555.00	4Q	101260830	3 x 400	1.1	DN 80	400	18 ÷ 66	7 ÷ 2	116
FCTE4 80-200/15/P*	£3,182.00	4Q	101260840	3 x 400	1.5	DN 80	500	18 ÷ 66	10 ÷ 4	153
FCTE4 80-200/22/P*	£3,235.00	4Q	101260850	3 x 400	2.2	DN 80	500	18 ÷ 75	13 ÷ 6	165
FCTE4 80-200/30/P*	£3,576.00	4Q	101260860	3 x 400	3	DN 80	500	18 ÷ 81	15 ÷ 6	173
FCTE4 80-250/40/P*	£4,287.00	4Q	101260870	3 x 400	4	DN 80	500	18 ÷ 87	19 ÷ 7	225
FCTE4 80-250/55/P*	£4,602.00	4Q	101260880	3 x 400	5.5	DN 80	500	18 ÷ 90	23 ÷ 12	241
FCTE4 100-160/15/P*	£3,659.00	4Q	101260890	3 x 400	1.5	DN100	500	30 ÷ 108	8 ÷ 2	146
FCTE4 100-200/22/P*	£4,055.00	4Q	101260900	3 x 400	2.2	DN100	550	36 ÷ 120	9 ÷ 2	201
FCTE4 100-200/30/P*	£4,303.00	4Q	101260910	3 x 400	3	DN100	550	36 ÷ 126	11 ÷ 3	205
FCTE4 100-250/40/P*	£4,733.00	4Q	101260920	3 x 400	4	DN100	550	36 ÷ 138	14 ÷ 5	253
FCTE4 100-250/55/P*	£5,674.00	4Q	101260930	3 x 400	5.5	DN100	550	36 ÷ 150	18 ÷ 7	265
FCTE4 100-250/75/P*	£6,386.00	4Q	101260940	3 x 400	7.5	DN100	550	36 ÷ 162	21 ÷ 8	285
FCTS4 125-160/30/P*	£5,017.00	4N	703421512	3 x 400	3	DN125	630	54 ÷ 180	9 ÷ 2	254
FCTS4 125-200/40/P*	£5,173.00	4N	703421522	3 x 400	4	DN125	620	54 ÷ 150	12 ÷ 5	272
FCTS4 125-200/55/P*	£6,206.00	4N	703421532	3 x 400	5.5	DN125	620	54 ÷ 180	14 ÷ 5	294
FCTS4 125-250/75/P*	£6,406.00	4N	703421542	3 x 400	7.5	DN125	630	54 ÷ 190	19 ÷ 5	325
FCTS4 125-250/110/P*	£8,765.00	4N	703421552	3 x 400	11	DN125	630	54 ÷ 220	25 ÷ 7	453
FCTS4 150-200/55/P*	£7,759.00	4N	703421562	3 x 400	5.5	DN150	720	80 ÷ 220	10 ÷ 4	356
FCTS4 150-200/75/P*	£8,798.00	4N	703421572	3 x 400	7.5	DN150	720	80 ÷ 249	13 ÷ 5	350
FCTS4 150-250/110/P*	£10,494.00	4N	703421592	3 x 400	11	DN150	755	80 ÷ 300	17 ÷ 5	532
FCTS4 150-250/150/P*	£11,086.00	4N	703421602	3 x 400	15	DN150	755	80 ÷ 320	21 ÷ 9	538
FCTS4 150-250/185*	£12,415.00	4N	703421612	3 x 400	18.5	DN150	755	80 ÷ 320	24 ÷ 13	582

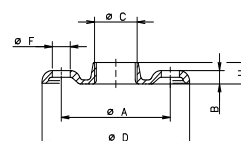
## In-line series FC-FCT accessories

**Round counterflange - threaded - Zinc iron Fe42**  
**Set of 2 counterflanges with gaskets, bolts and nuts**



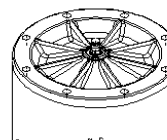
Type	Price	Family Code	Part Number	Description	Ø F	N° holes	PN
DN 40	£74.00	9B	109390661	2 x DN 40/RP 1 ½	18	4	16
DN 50	£77.00	9B	109390691	2 x DN 50/RP 2	18	4	16
DN 65	£81.00	9B	109392710	2 x DN 65/RP 2 ½	18	4	16
DN 80	£94.00	9B	109390761	2 x DN 80/RP 3	18	4	16
DN 100	£107.00	9B	109390771	2 x DN 100/RP 4	18	8	16

**Round counterflange - welding - Zinc iron Fe42**  
**Set of 2 counterflanges with gaskets, bolts and nuts**



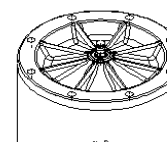
Type	Price	Family Code	Part Number	Description	Ø F	N° holes	PN
DN 40	£81.00	9B	109390662	2 x DN 40	18	4	16
DN 50	£84.00	9B	109390692	2 x DN 50	18	4	16
DN 65	£97.00	9B	109390732	2 x DN 65	18	4	16
DN 80	£117.00	9B	109390762	2 x DN 80	18	8	16
DN 100	£141.00	9B	109390772	2 x DN 100	18	8	16
DN 125	£144.00	9B	707941320	2 x DN 125	18	8	10
DN 150	£147.00	9B	707941330	2 x DN 150	22	8	10

**Blanking plate kit for FCT in-line twin series**



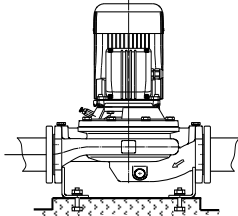
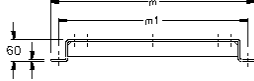
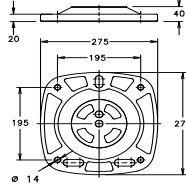
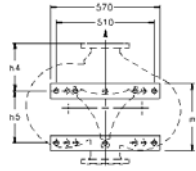
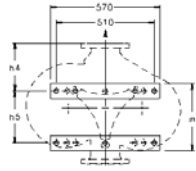
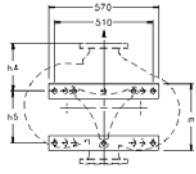
Type	Price	Family Code	Part Number	Pump type
DN 203	£109.00	9B	109393750	40-125, 40-160, 50-125, 50-160.
DN 250	£123.00	9B	109393760	65-125, 65-160, 80-125, 80-160, 100-160
DN 295	£134.00	9B	109393770	40-200, 40-250, 50-200, 50-250, 65-200, 65-250, 80-200, 80-250, 50-200, 50-250, 100-200, 100-250

**Blanking plate kit for FCT in-line twin series**



Type	Price	Family Code	Part Number	Pump type
FCT 125	£210.00	9B	765750010	FCTS4 125-160, FCTS4 125-200
FCT 150	£246.00	9B	765750030	FCTS4 150-200
FCT 125-250, FCT 150-250	£313.00	9B	765750020	FCTS4 125-250, FCTS4 150-250

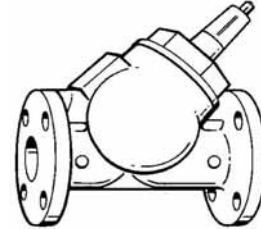
**In-line series FC-FCT accessories**

Type	Price	Family Code	Part Number	Pump type	
FC Series Brackets	£96.00	9B	109393700	40-125, 40-160,40-200,40-250	
	£102.00	9B	109393710	50-125, 50-160, 50-200, 50-250	
	£105.00	9B	109393720	65-125, 65-160, 65-200, 65-250	
	£116.00	9B	109393730	80-125, 80-160, 80-200, 80-250	
	£123.00	9B	109393740	100-160, 100-200, 100-250	
FCT Mounting Base Kit	£221.00	9B	109393780	40-125, 40-160 50-125, 50-160, 65-125, 65-160 80-125, 80-160,	
	£245.00	9B	109393790	40-200, 40-250, 50-200, 50-250, 65-200, 65-250 80-200, 80-250 100-160, 100-200, 100-250	
FC Mounting Base	£131.00	9B	109391270	40-200,40-250 50-200, 50-250 65-200, 65-250 80-200, 80-250 100-200, 100-250	
FCS4 Mounting Base	£495.00	FE	713460010	125-160/125-200	
	£688.00	FE	713460020	125-250/125-315/150-200/150-250	
FCT Mounting Base Kit	£570.00	FE	713460030	125-160 125-200 125-250	
FCT Mounting Base Kit	£570.00	FE	713460040	150-200 150-250	

## Triple Duty Valves

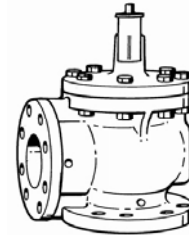
### Straight Pattern Flanged

Type	Price	Family Code	Part Number	kg
3DS-2-1/2S Triple Duty Valve	£390.00	9J	UK132122DR	13
3DS-3S Triple Duty Valve	£440.00	9J	UK132123DR	18
3DS-4S Triple Duty Valve	£771.00	9J	UK132124DR	43
3DS-5S Triple Duty Valve	£882.00	9J	UK132125DR	52
3DS-6S Triple Duty Valve	£1,149.00	9J	UK132126DR	85
3DS-8S Triple Duty Valve	£1,908.00	9J	UK132127DR	144
3DS-10S Triple Duty Valve	£2,807.00	9J	UK132128DR	209
3DS-12S Triple Duty Valve	£4,370.00	9J	UK132129DR	301
3DS-14S Triple Duty Valve	£6,995.00	9J	UK132120DR	355



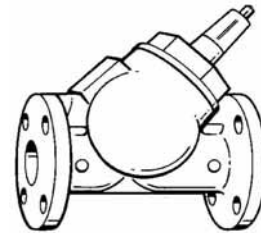
### Angle Pattern Flanged

Type	Price	Family Code	Part Number	kg
3D-2-1/2S Triple Duty Valve	£397.00	9J	UK132132DR	13
3D-3S Triple Duty Valve	£424.00	9J	UK132133DR	18
3D-4S Triple Duty Valve	£792.00	9J	UK132134DR	43
3D-5S Triple Duty Valve	£900.00	9J	UK132135DR	52
3D-6S Triple Duty Valve	£1,129.00	9J	UK132136DR	85
3D-8S Triple Duty Valve	£1,724.00	9J	UK132137DR	144
3D-10S Triple Duty Valve	£2,578.00	9J	UK132138DR	209



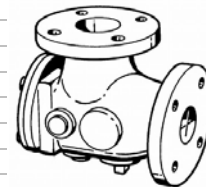
### Straight Pattern Balanced

Type	Price	Family Code	Part Number	kg
3DS-3B Triple Duty Valve	£478.00	9J	UK132160DR	16
3DS-4B Triple Duty Valve	£603.00	9J	UK132161DR	28
3DS-5B Triple Duty Valve	£811.00	9J	UK132162DR	48
3DS-6B Triple Duty Valve	£1,094.00	9J	UK132163DR	67
3DS-8B Triple Duty Valve	£1,386.00	9J	UK132164DR	104
3DS-10B Triple Duty Valve	£2,358.00	9J	UK132165DR	172
3DS-12B Triple Duty Valve	£3,329.00	9J	UK132166DR	248
3DS-14B Triple Duty Valve	£5,106.00	9J	UK132167DR	347
3DS-16B Triple Duty Valve	£7,355.00	9J	UK132168DR	445



## Suction Diffusers

Type	Size	Price	Family Code	Part Number	kg
BA-3X Suction Diffuser	2x1.5	£209.00	9J	UK115019DR	5.9
BB-3X Suction Diffuser	2x2	£220.00	9J	UK115036DR	6.4
CB-3X Suction Diffuser	2.5x2	£220.00	9J	UK115037DR	7.3
CC-3X Suction Diffuser	2.5x2.5	£257.00	9J	UK115038DR	16.3
DA-3X Suction Diffuser	3x1.5	£410.00	9J	UK115021DR	7.7
DB-3X Suction Diffuser	3x2	£363.00	9J	UK115022DR	7.7
DC-3X Suction Diffuser	3x2.5	£388.00	9J	UK115039DR	20
DD-3X Suction Diffuser	3x3	£427.00	9J	UK115024DR	21.8
EC-3X Suction Diffuser	4x2.5	£430.00	9J	UK115075DR	19.1
ED-3X Suction Diffuser	4x3	£447.00	9J	UK115025DR	24.9
EE-3X Suction Diffuser	4x4	£492.00	9J	UK115026DR	32.7
FE-3X Suction Diffuser	5x4	£529.00	9J	UK115027DR	38.1
FF-3X Suction Diffuser	5x5	£545.00	9J	UK115029DR	45.4
GE-3X Suction Diffuser	6x4	£537.00	9J	UK115028DR	40.8
GF-3X Suction Diffuser	6x5	£556.00	9J	UK115030DR	47.6
GG-3X Suction Diffuser	6x6	£614.00	9J	UK115031DR	60.8
HG-3X Suction Diffuser	8x6	£637.00	9J	UK115032DR	68
HH-3X Suction Diffuser	8x8	£835.00	9J	UK115033DR	113.4
JH-3X Suction Diffuser	10x8	£968.00	9J	UK115035DR	131.5
JJ-3X Suction Diffuser	10x10	£1,305.00	9J	UK115034DR	188.2



# Clean water packaged sets

## SECTION C

## CONTENTS

### SECTION C Clean water packaged sets

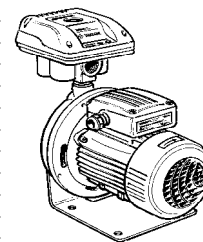
Page	77	Water cooled Hydrovar pump sets
	77	Mini cold water variable speed booster sets
	77	Teknospeed variable speed single pump booster sets
	78	Teknospeed variable speed single pump booster sets
	78	Teknospeed variable speed twin pump booster sets
	79	GHV 10 series booster sets
	80	GHV 10 series booster sets
	81	GHV 10 series booster sets
	82	GHV 20 series R version booster sets
	83	GHV 20 series F version booster sets
	84	GHV 20 series e-SV 33 - 92 booster sets
	85	GHV 30 series R version booster sets
	86	GHV 30 series F version booster sets
	87	GHV 30 series e-SV 33 - 92 booster sets
	88	GHV 40 series F version booster sets
	89	GHV 40 series F version booster sets
	90	Pressure sets (Fixed speed)
	90	Mini cold water booster sets (Fixed speed)
	90	Twin pump booster sets (Fixed speed)
	91	GM#20 Two pump fixed speed booster sets
	92	GM#20 Two pump fixed speed booster sets
	93	GM#30 Three pump fixed speed booster sets
	94	Large cold water packaged booster sets
	94	Booster Set Accessories
	94`	Combination Surge Arrestor & Air Release Valves
	94	Domestic booster sets - Series Resvari/Resfix
	94	Lowara Servitec Vacuum Degassing Unit
	95	Rainwater harvesting
	95	Wedeco UV units - Series Aquada
	96	Hydroquench 3000 Series
	96	GEN Series fire fighting booster sets
	97	Pressurisation sets Prefix, Alpha/Beta
	97	Expansion Tanks, fixed and interchangeable membranes

Product line images in this price list are for illustration purpose only, product may vary.  
Lowara UK reserve the right to make modifications without prior notice.



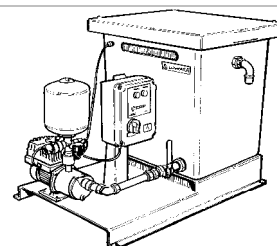
### Water Cooled Hydrovar pumpsets

Type	Price	Family Code	Part Number	kW	kg
HVV/2HM5ZT (fitted with hydraulic kit)	£789.00	7N	107620155-8LT	0.55	12.7
HVV/2HM7ZT/D (fitted with hydraulic kit)	£835.00	7N	104593115-8LT	0.75	20
HVV/4HM5T (fitted with hydraulic kit)	£835.00	7N	107620095-8LT	0.55	15
HVV/BG7/D (fitted with hydraulic kit)	£804.00	7N	104593275-8LT	0.75	20
HVV/CEA80/5/D (fitted with hydraulic kit)	£808.00	7N	104480020-8LT	0.75	19
HVV/CA70/33/D (fitted with hydraulic kit)	£891.00	7N	104490000-8LT	0.75	22.5
HVV/SC207T (c/w hydraulic kit)	£887.00	7N	107629500-8LT	0.75	19.4
HVV/SC407T (c/w hydraulic kit)	£879.00	7N	107629510-8LT	0.75	19.4
Water Cooled Hydrovar only	£461.00	6D	709121021	0.55-0.75	5
Water Cooled Hydrovar Hydraulic Kit only	£115.00	9J	109391990		5

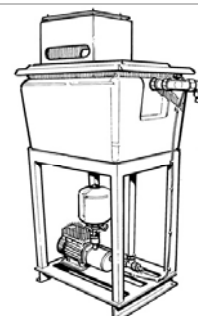


### Mini cold water variable speed packaged booster sets

<b>Mini VH</b> Variable speed Mini V/TKS/HM single pump booster set (break tank mounted alongside pump)	£1,816.00	5L	24 litre vessel, flexible connector, pressure transducer, pressure gauge, fixed pipework, N.R.V., pump isolation valves, bleed valve, 250 litre type AB air gap insulated break tank all mounted on a bed plate and complete with D.O.L. panel with low water protection and isolator.
			(Price of pump to be added).



<b>Mini VV</b> Variable speed Mini V/TKS/HM single pump booster set (break tank mounted above pump)	£2,964.00	5L	24 litre vessel, flexible connector, pressure transducer, pressure gauge, fixed pipework, N.R.V., pump isolation valves, bleed valve, 230 litre type AB air gap insulated break tank all mounted on a bed plate and complete with D.O.L. panel with low water protection and isolator.
			(Price of pump to be added).



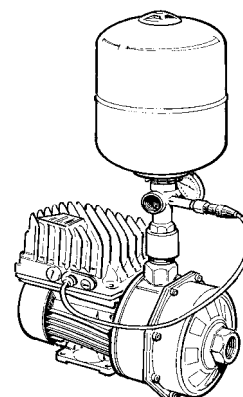
Mini VV versions with other pump ranges and larger break tank options are available - please contact our sales office.

### Teknospeed single pump variable speed booster sets with end suction pumps - Series GTKS10

Single phase variable speed pumps for constant pressure  
 Supply: 230v (+/-10%) single phase 50Hz  
 Variable speed end suction pump complete with pressure transducer, non-return valve, pressure gauge and 8 litre pressure vessel.

Type	Price	Family Code	kW	kg
<b>Teknospeed/HMZ Pumps</b>				
GTKS10/2HM3ZT	£1,082.00	5L	0.3	12.6
GTKS10/2HM5ZT	£1,123.00	5L	0.55	14.4
GTKS10/2HM7ZT/D	£1,161.00	5L	0.75	22
GTKS10/4HM4ZT	£1,083.00	5L	0.45	13.1
GTKS10/4HM5ZT	£1,124.00	5L	0.55	14
GTKS10/4HM9ZT/D	£1,237.00	5L	0.9	25
GTKS10/4HMS7T/D	£1,282.00	5L	0.75	25
<b>Teknospeed/BG Pumps</b>				
GTKS10/BG7/D	£1,273.00	5L	0.75	23
GTKS10/BG11/D	£1,312.00	5L	1.1	24
<b>Teknospeed/CEA-CA</b>				
GTKS10/CEA80/5/D-V	£1,301.00	5L	0.75	21
GTKS10/CEA120/5/D-V	£1,433.00	5L	1.1	22
GTKS10/CA70/33/D-V	£1,334.00	5L	0.75	24
*GTKS10/CA70/44/D-V	£1,476.00	5L	1.1	27

\*Special product/pump for Teknospeed only

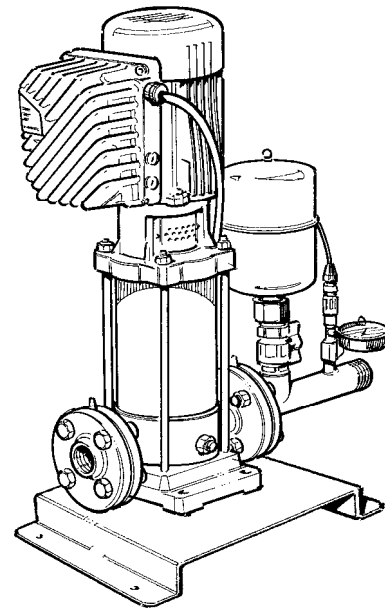


## Teknospeed single pump variable speed booster sets with e-SV multistage pumps - Series GTKS10/SV

Single phase variable speed pumps for constant pressure  
 Supply: 230v (+/-10%) single phase 50Hz  
 Variable speed vertical multistage pump complete with pressure transducer, non-return valve,  
 pressure gauge and 8 litre pressure vessel all mounted on a baseplate.

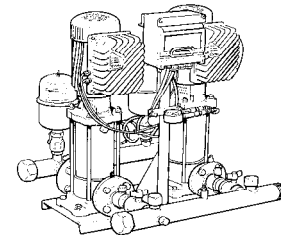


Type	Price	Family Code	kW	kg
*F' in-line round ports, other port configurations available on request.				
GTKS10/1SV02F003T/UK	£1,570.00	5L	0.37	27
GTKS10/1SV03F003T/UK	£1,589.00	5L	0.37	27.4
GTKS10/1SV04F003T/UK	£1,617.00	5L	0.37	27.8
GTKS10/1SV05F003T/UK	£1,665.00	5L	0.37	28.2
GTKS10/1SV06F003T/UK	£1,707.00	5L	0.37	28.6
GTKS10/1SV07F003T/UK	£1,747.00	5L	0.37	28.9
GTKS10/1SV08F005T/UK	£1,781.00	5L	0.55	29.2
GTKS10/1SV09F005T/UK	£1,845.00	5L	0.55	29.6
GTKS10/1SV10F005T/UK	£1,891.00	5L	0.55	30
GTKS10/1SV11F005T/UK	£1,960.00	5L	0.55	34.4
GTKS10/1SV12F007T/D/UK	£2,018.00	5L	0.75	37.7
GTKS10/1SV13F007T/D/UK	£2,090.00	5L	0.75	38.1
GTKS10/1SV15F007T/D/UK	£2,213.00	5L	0.75	39
GTKS10/1SV17F011T/D/UK	£2,385.00	5L	1.1	47
GTKS10/1SV19F011T/D/UK	£2,511.00	5L	1.1	49.8
GTKS10/1SV22F011T/D/UK	£2,702.00	5L	1.1	51
GTKS10/3SV02F003T/UK	£1,720.00	5L	0.37	26.8
GTKS10/3SV03F003T/UK	£1,779.00	5L	0.37	27.2
GTKS10/3SV04F003T/UK	£1,803.00	5L	0.37	27.6
GTKS10/3SV05F005T/UK	£1,819.00	5L	0.55	28
GTKS10/3SV06F005T/UK	£1,840.00	5L	0.55	30.4
GTKS10/3SV07F007T/D/UK	£1,899.00	5L	0.75	30.8
GTKS10/3SV08F007T/D/UK	£1,962.00	5L	0.75	35.9
GTKS10/3SV09F011T/D/UK	£2,024.00	5L	1.1	38.4
GTKS10/3SV10F011T/D/UK	£2,044.00	5L	1.1	38.8
GTKS10/3SV11F011T/D/UK	£2,086.00	5L	1.1	39.2
GTKS10/3SV12F011T/D/UK	£2,120.00	5L	1.1	39.6
GTKS10/5SV02F003T/UK	£1,786.00	5L	0.37	27.2
GTKS10/5SV03F005T/UK	£1,822.00	5L	0.55	29.7
GTKS10/5SV04F005T/UK	£1,875.00	5L	0.55	30.1
GTKS10/5SV05F007T/D/UK	£1,909.00	5L	0.75	35.5
GTKS10/5SV06F011T/D/UK	£1,944.00	5L	1.1	37.6
GTKS10/5SV07F011T/D/UK	£1,979.00	5L	1.1	38
GTKS10/5SV08F011T/D/UK	£2,012.00	5L	1.1	38.5
GTKS10/10SV01F007T/D/UK	£1,880.00	5L	0.75	39.4
GTKS10/10SV02F007T/D/UK	£1,912.00	5L	0.75	40.3
GTKS10/10SV03F011T/D/UK	£2,038.00	5L	1.1	43



## Teknospeed twin pump variable speed booster sets - Series GTKS20

Type	Price	Family Code	Part Number	kW	kg
<b>Single phase (230/1/50)</b>					
GTKS20/2HM3ZT/UK	£4,557.00	5L	100438202	0.3 x 2	65
GTKS20/2HM5ZT/UK	£4,651.00	5L	100438302	0.55 x 2	65
GTKS20/2HM7ZT/UK	£4,712.00	5L	100439902	0.75 x 2	65
GTKS20/4HM5ZT/UK	£4,661.00	5L	100438502	0.55 x 2	70
GTKS20/4HM7ZT/UK	£4,699.00	5L	1005100902	0.75 x 2	77
GTKS20/4HM9ZT/UK	£4,731.00	5L	100440002	0.9 x 2	78
GTKS20/CEA120/5-V/UK	£5,498.00	5L	100440102	1.1 x 2	68
GTKS20/CA70/33-V/UK	£5,061.00	5L	100440302	0.75 x 2	68
*GTKS20/CA70/44-V/UK	£5,447.00	5L	100440402	1.1 x 2	69
GTKS20/3SV05F005T/UK	£6,420.00	5L	1005000189	0.55 x 2	80
GTKS20/3SV09F011T/UK	£6,825.00	5L	100449802	1.1 x 2	80
GTKS20/3SV11F011T/UK	£7,289.00	5L	100450002	1.1 x 2	80
GTKS20/5SV03F005T/UK	£5,984.00	5L	100450302	0.55 x 2	85
GTKS20/5SV04F005T/UK	£6,122.00	5L	1005100911	0.55 x 2	85
GTKS20/5SV05F007T/UK	£6,260.00	5L	100450502	0.75 x 2	85
GTKS20/5SV06F011T/UK	£6,586.00	5L	100450602	1.1 x 2	108
GTKS20/5SV08F011T/UK	£6,988.00	5L	100450802	1.1 x 2	108
GTKS20/5SV08R011T/UK	£6,988.00	5L	1005100819	1.1 x 2	108
GTKS20/10SV03F011T/UK	£7,028.00	5L	100451102	1.1 x 2	98



\*Special product/pump for Teknospeed only

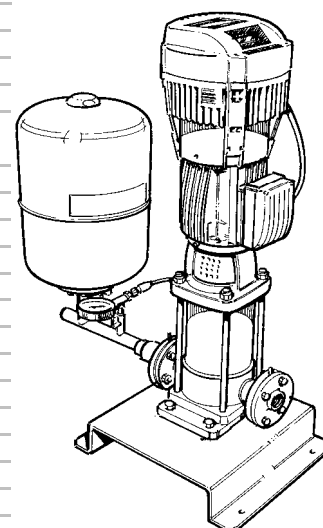
Please note that every unit is supplied with the NRV on the delivery side.  
 Teknospeed booster sets include two pressure transmitters and a power enclosure with two MCB's.  
 Every twin pump set is supplied with two pressure vessels supplied loose.  
 Suction and delivery headers in stainless steel as standard.

## Single pump variable speed booster sets with e-SV vertical multistage pumps - Series GHV10

Variable speed vertical multistage centrifugal pump made of AISI 304 stainless steel with round flanges, in-line delivery and suction ports ('F' version) complete with discharge manifold, discharge non-return valve, 24 litre pressure vessel and pressure transducer all mounted on a baseplate.

Control panel not included - please add as required (this will be supplied loose).

Type	Price	Family Code	Power Supply		Power kW	Weight kg
			Supply	Motor		
GHV10/1SV12F007T/M/UK	£2,521.00	5D	1 x 230	3 x 230	0.75	39
GHV10/1SV13F007T/M/UK	£2,554.00	5D	1 x 230	3 x 230	0.75	39
GHV10/1SV15F007T/M/UK	£2,611.00	5D	1 x 230	3 x 230	0.75	40
GHV10/1SV17F011T/M/UK	£2,714.00	5D	1 x 230	3 x 230	1.1	43
GHV10/1SV19F011T/M/UK	£2,771.00	5D	1 x 230	3 x 230	1.1	44
GHV10/1SV22F011T/M/UK	£2,858.00	5D	1 x 230	3 x 230	1.1	45
GHV10/1SV25F015T/M/UK	£3,049.00	5D	1 x 230	3 x 230	1.5	51
GHV10/1SV17F011T/UK	£2,968.00	5D	3 x 400	3 x 400	1.1	43
GHV10/1SV19F011T/UK	£3,025.00	5D	3 x 400	3 x 400	1.1	44
GHV10/1SV22F011T/UK	£3,112.00	5D	3 x 400	3 x 400	1.1	45
GHV10/1SV25F015T/UK	£3,303.00	5D	3 x 400	3 x 400	1.5	51
GHV10/3SV07F007T/M/UK	£2,492.00	5D	1 x 230	3 x 230	0.75	32
GHV10/3SV08F007T/M/UK	£2,521.00	5D	1 x 230	3 x 230	0.75	37
GHV10/3SV09F011T/M/UK	£2,611.00	5D	1 x 230	3 x 230	1.1	40
GHV10/3SV10F011T/M/UK	£2,631.00	5D	1 x 230	3 x 230	1.1	40
GHV10/3SV11F011T/M/UK	£2,676.00	5D	1 x 230	3 x 230	1.1	41
GHV10/3SV12F011T/M/UK	£2,711.00	5D	1 x 230	3 x 230	1.1	41
GHV10/3SV13F015T/M/UK	£2,870.00	5D	1 x 230	3 x 230	1.5	46
GHV10/3SV14F015T/M/UK	£2,958.00	5D	1 x 230	3 x 230	1.5	53
GHV10/3SV16F015T/M/UK	£2,986.00	5D	1 x 230	3 x 230	1.5	53
GHV10/3SV19F022T/M/UK	£3,283.00	5D	1 x 230	3 x 230	2.2	57
GHV10/3SV21F022T/M/UK	£3,463.00	5D	1 x 230	3 x 230	2.2	58
GHV10/3SV09F011T/UK	£2,865.00	5D	3 x 400	3 x 400	1.1	40
GHV10/3SV10F011T/UK	£2,885.00	5D	3 x 400	3 x 400	1.1	40
GHV10/3SV11F011T/UK	£2,930.00	5D	3 x 400	3 x 400	1.1	41
GHV10/3SV12F011T/UK	£2,965.00	5D	3 x 400	3 x 400	1.1	41
GHV10/3SV13F015T/UK	£3,124.00	5D	3 x 400	3 x 400	1.5	46
GHV10/3SV14F015T/UK	£3,212.00	5D	3 x 400	3 x 400	1.5	53
GHV10/3SV16F015T/UK	£3,240.00	5D	3 x 400	3 x 400	1.5	53
GHV10/3SV19F022T/UK	£3,283.00	5D	3 x 400	3 x 400	2.2	57
GHV10/3SV21F022T/UK	£3,463.00	5D	3 x 400	3 x 400	2.2	58



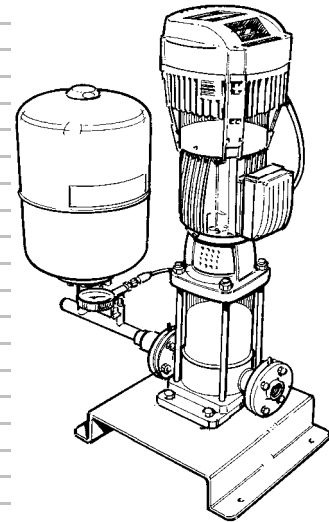
Control Panel Type	Price	Family Code	Part Number	Supply	kW	Weight
QHV10/15-22	£104.00	5F	108212100	1 x 230	0.75 - 2.2	1
QHV10/22-40	£107.00	5F	108212300	3 x 400	1.1 - 4	1

## Single pump variable speed booster sets with e-SV vertical multistage pumps - Series GHV10

Variable speed vertical multistage centrifugal pump made of AISI 304 stainless steel with round flanges, in-line delivery and suction ports ('F' version) complete with discharge manifold, discharge non-return valve, 24 litre pressure vessel and pressure transducer all mounted on a baseplate.

Control panel not included - please add as required (this will be supplied loose).

Type	Price	Family Code	Power Supply		Power kW	Weight kg
			Supply	Motor		
GHV10/5SV05F007T/M/UK	£2,587.00	5D	1 x 230	3 x 230	0.75	37
GHV10/5SV06F011T/M/UK	£2,614.00	5D	1 x 230	3 x 230	1.1	39
GHV10/5SV07F011T/M/UK	£2,732.00	5D	1 x 230	3 x 230	1.1	39
GHV10/5SV08F011T/M/UK	£2,767.00	5D	1 x 230	3 x 230	1.1	40
GHV10/5SV09F015T/M/UK	£2,834.00	5D	1 x 230	3 x 230	1.5	46
GHV10/5SV10F015T/M/UK	£2,856.00	5D	1 x 230	3 x 230	1.5	47
GHV10/5SV11F015T/M/UK	£2,924.00	5D	1 x 230	3 x 230	1.5	47
GHV10/5SV12F022T/M/UK	£3,203.00	5D	1 x 230	3 x 230	2.2	48
GHV10/5SV13F022T/M/UK	£3,232.00	5D	1 x 230	3 x 230	2.2	48
GHV10/5SV14F022T/M/UK	£3,315.00	5D	1 x 230	3 x 230	2.2	56
GHV10/5SV15F022T/M/UK	£3,385.00	5D	1 x 230	3 x 230	2.2	56
GHV10/5SV16F022T/M/UK	£3,451.00	5D	1 x 230	3 x 230	2.2	57
GHV10/5SV06F011T/UK	£2,868.00	5D	3 x 400	3 x 400	1.1	39
GHV10/5SV07F011T/UK	£2,986.00	5D	3 x 400	3 x 400	1.1	39
GHV10/5SV08F011T/UK	£3,021.00	5D	3 x 400	3 x 400	1.1	40
GHV10/5SV09F015T/UK	£3,088.00	5D	3 x 400	3 x 400	1.5	46
GHV10/5SV10F015T/UK	£3,110.00	5D	3 x 400	3 x 400	1.5	47
GHV10/5SV11F015T/UK	£3,178.00	5D	3 x 400	3 x 400	1.5	47
GHV10/5SV12F022T/UK	£3,203.00	5D	3 x 400	3 x 400	2.2	48
GHV10/5SV13F022T/UK	£3,232.00	5D	3 x 400	3 x 400	2.2	48
GHV10/5SV14F022T/UK	£3,315.00	5D	3 x 400	3 x 400	2.2	56
GHV10/5SV15F022T/UK	£3,385.00	5D	3 x 400	3 x 400	2.2	56
GHV10/5SV16F022T/UK	£3,451.00	5D	3 x 400	3 x 400	2.2	57
GHV10/5SV18F030T/UK	£3,830.00	5D	3 x 400	3 x 400	3	61
GHV10/5SV21F030T/UK	£3,954.00	5D	3 x 400	3 x 400	3	63
GHV10/10SV01F007T/M/UK	£2,663.00	5D	1 x 230	3 x 230	0.75	41
GHV10/10SV02F007T/M/UK	£2,696.00	5D	1 x 230	3 x 230	0.75	42
GHV10/10SV03F011T/M/UK	£2,827.00	5D	1 x 230	3 x 230	1.1	45
GHV10/10SV04F015T/M/UK	£3,049.00	5D	1 x 230	3 x 230	1.5	49
GHV10/10SV05F022T/M/UK	£3,365.00	5D	1 x 230	3 x 230	2.2	52
GHV10/10SV06F022T/M/UK	£3,466.00	5D	1 x 230	3 x 230	2.2	53
GHV10/10SV03F011T/UK	£3,081.00	5D	3 x 400	3 x 400	1.1	45
GHV10/10SV04F015T/UK	£3,303.00	5D	3 x 400	3 x 400	1.5	49
GHV10/10SV05F022T/UK	£3,365.00	5D	3 x 400	3 x 400	2.2	52
GHV10/10SV06F022T/UK	£3,466.00	5D	3 x 400	3 x 400	2.2	53
GHV10/10SV07F030T/UK	£3,957.00	5D	3 x 400	3 x 400	3	58
GHV10/10SV08F030T/UK	£4,022.00	5D	3 x 400	3 x 400	3	59
GHV10/10SV09F040T/UK	£4,571.00	5D	3 x 400	3 x 400	4	72
GHV10/10SV10F040T/UK	£4,645.00	5D	3 x 400	3 x 400	4	73
GHV10/10SV11F040T/UK	£4,700.00	5D	3 x 400	3 x 400	4	74
GHV10/10SV13F055T/UK	£5,593.00	5D	3 x 400	3 x 400	5.5	97



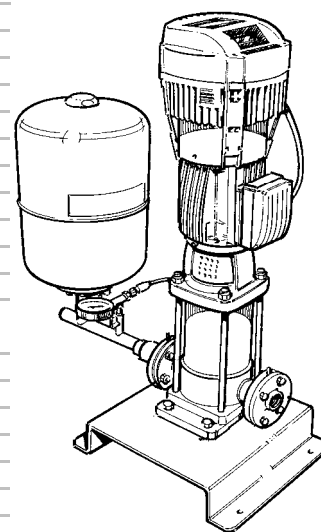
Control Panel Type	Price	Family Code	Part Number	Supply	kW	Weight
QHV10/15-22	£104.00	5F	108212100	1 x 230	0.75 - 2.2	1
QHV10/22-40	£107.00	5F	108212300	3 x 400	1.1 - 4	1
QHV10/55	£108.00	5F	108212400	3 x 400	5.5	1

## Single pump variable speed booster sets with e-SV vertical multistage pumps - Series GHV10

Variable speed vertical multistage centrifugal pump made of AISI 304 stainless steel with round flanges, in-line delivery and suction ports ('F' version) complete with discharge manifold, discharge non-return valve, 24 litre pressure vessel and pressure transducer all mounted on a baseplate.

Control panel not included - please add as required (this will be supplied loose).

Type	Price	Family Code	Power Supply		Power kW	Weight kg
			Supply	Motor		
GHV10/15SV01F011T/M/UK	£3,136.00	5D	1 x 230	3 x 230	1.1	56
GHV10/15SV02F022T/M/UK	£3,615.00	5D	1 x 230	3 x 230	2.2	62
GHV10/15SV01F011T/UK	£3,390.00	5D	3 x 400	3 x 400	1.1	56
GHV10/15SV02F022T/UK	£3,615.00	5D	3 x 400	3 x 400	2.2	62
GHV10/15SV03F030T/UK	£4,140.00	5D	3 x 400	3 x 400	3	67
GHV10/15SV04F040T/UK	£4,590.00	5D	3 x 400	3 x 400	4	74
GHV10/15SV05F040T/UK	£4,667.00	5D	3 x 400	3 x 400	4	77
GHV10/15SV06F055T/UK	£5,436.00	5D	3 x 400	3 x 400	5.5	100
GHV10/15SV07F055T/UK	£5,796.00	5D	3 x 400	3 x 400	5.5	101
GHV10/15SV08F075T/UK	£6,522.00	5D	3 x 400	3 x 400	7.5	128
GHV10/15SV09F075T/UK	£6,638.00	5D	3 x 400	3 x 400	7.5	130
GHV10/15SV10F110T/UK	£7,533.00	5D	3 x 400	3 x 400	11	148
GHV10/15SV11F110T/UK	£7,769.00	5D	3 x 400	3 x 400	11	149
GHV10/22SV01F011T/M/UK	£3,182.00	5D	1 x 230	3 x 230	1.1	46
GHV10/22SV02F022T/M/UK	£3,678.00	5D	1 x 230	3 x 230	2.2	53
GHV10/22SV01F011T/UK	£3,436.00	5D	3 x 400	3 x 400	1.1	46
GHV10/22SV02F022T/UK	£3,678.00	5D	3 x 400	3 x 400	2.2	53
GHV10/22SV03F030T/UK	£4,459.00	5D	3 x 400	3 x 400	3	58
GHV10/22SV04F040T/UK	£5,073.00	5D	3 x 400	3 x 400	4	65
GHV10/22SV05F055T/UK	£5,558.00	5D	3 x 400	3 x 400	5.5	86
GHV10/22SV06F075T/UK	£6,536.00	5D	3 x 400	3 x 400	7.5	105
GHV10/22SV07F075T/UK	£6,676.00	5D	3 x 400	3 x 400	7.5	114
GHV10/22SV08F110T/UK	£7,736.00	5D	3 x 400	3 x 400	11	132
GHV10/22SV09F110T/UK	£7,817.00	5D	3 x 400	3 x 400	11	133
GHV10/22SV10F110T/UK	£7,903.00	5D	3 x 400	3 x 400	11	135



Clean water packaged sets

Control Panel Type	Price	Family Code	Part Number	Supply	kW	Weight
QHV10/15-22	£104.00	5F	108212100	1 x 230	0.75 - 2.2	1
QHV10/22-40	£107.00	5F	108212300	3 x 400	1.1 - 4	1
QHV10/55	£108.00	5F	108212400	3 x 400	5.5	1
QHV10/75	£110.00	5F	108212500	3 x 400	7.5	1
QHV10/110	£115.00	5F	108212600	3 x 400	11	1

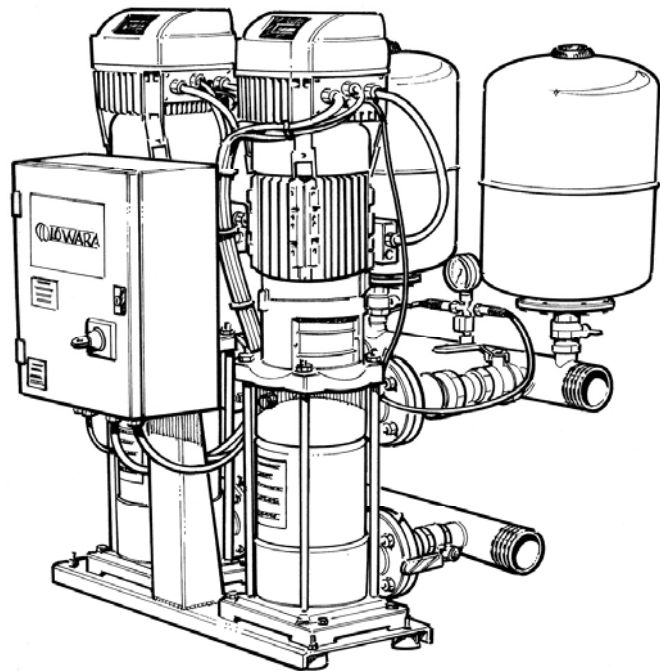
## Two pump variable speed booster sets with e-SV vertical multistage pumps - Series GHV20 R Version

Type	Price	Family Code
GHV20/3SV07R007T/M/UK	£8,961.00	5D
GHV20/3SV08R007T/M/UK	£9,014.00	5D
GHV20/3SV09R011T/M/UK	£9,123.00	5D
GHV20/3SV10R011T/M/UK	£9,227.00	5D
GHV20/3SV11R011T/M/UK	£9,297.00	5D
GHV20/3SV12R011T/M/UK	£9,359.00	5D
GHV20/3SV13R015T/M/UK	£9,546.00	5D
GHV20/3SV13R015T/T/UK	£9,546.00	5D
GHV20/3SV14R015T/M/UK	£9,568.00	5D
GHV20/3SV14R015T/T/UK	£9,568.00	5D
GHV20/3SV16R015T/M/UK	£9,666.00	5D
GHV20/3SV16R015T/T/UK	£9,666.00	5D
GHV20/3SV19R022T/M/UK	£10,324.00	5D
GHV20/3SV19R022T/T/UK	£10,324.00	5D
GHV20/3SV21R022T/M/UK	£10,483.00	5D
GHV20/3SV21R022T/T/UK	£10,483.00	5D

GHV20/5SV07R011T/M/UK	£9,337.00	5D
GHV20/5SV08R011T/M/UK	£9,774.00	5D
GHV20/5SV09R015T/M/UK	£9,819.00	5D
GHV20/5SV09R015T/T/UK	£9,819.00	5D
GHV20/5SV10R015T/M/UK	£10,011.00	5D
GHV20/5SV10R015T/T/UK	£10,011.00	5D
GHV20/5SV11R015T/M/UK	£10,473.00	5D
GHV20/5SV11R015T/T/UK	£10,473.00	5D
GHV20/5SV12R022T/M/UK	£10,696.00	5D
GHV20/5SV12R022T/T/UK	£10,696.00	5D
GHV20/5SV13R022T/M/UK	£10,775.00	5D
GHV20/5SV13R022T/T/UK	£10,775.00	5D
GHV20/5SV14R022T/M/UK	£10,900.00	5D
GHV20/5SV14R022T/T/UK	£10,900.00	5D
GHV20/5SV15R022T/M/UK	£10,969.00	5D
GHV20/5SV15R022T/T/UK	£10,969.00	5D
GHV20/5SV16R022T/M/UK	£11,115.00	5D
GHV20/5SV16R022T/T/UK	£11,115.00	5D
GHV20/5SV18R030T/UK	£11,744.00	5D
GHV20/5SV21R030T/UK	£11,875.00	5D

GHV20/10SV05R022T/M/UK	£10,587.00	5D
GHV20/10SV05R022T/T/UK	£10,587.00	5D
GHV20/10SV06R022T/M/UK	£11,384.00	5D
GHV20/10SV06R022T/T/UK	£11,384.00	5D
GHV20/10SV07R030T/UK	£11,786.00	5D
GHV20/10SV08R030T/UK	£11,924.00	5D
GHV20/10SV09R040T/UK	£12,126.00	5D
GHV20/10SV10R040T/UK	£12,365.00	5D
GHV20/10SV11R040T/UK	£12,505.00	5D
GHV20/10SV13R055T/UK	£13,031.00	5D

Type	Price	Family Code
GHV20/15SV04R040T/UK	£12,240.00	5D
GHV20/15SV05R040T/UK	£13,076.00	5D
GHV20/15SV06R055T/UK	£14,002.00	5D
GHV20/15SV07R055T/UK	£14,792.00	5D
GHV20/15SV08R075T/UK	£16,478.00	5D
GHV20/15SV09R075T/UK	£16,789.00	5D
GHV20/22SV04R040T/UK	£14,384.00	5D
GHV20/22SV05R055T/UK	£15,992.00	5D
GHV20/22SV06R075T/UK	£17,083.00	5D
GHV20/22SV07R075T/UK	£17,337.00	5D



**Please note:**

All of the above sets include 2 off 24 litre vessels supplied loose.

Vessels are 8, 10 or 16 bar rated in order to cover the closed valve pump pressure.

The above prices include for volt free contacts to be wired from the Hydrovar head back to the control panel.

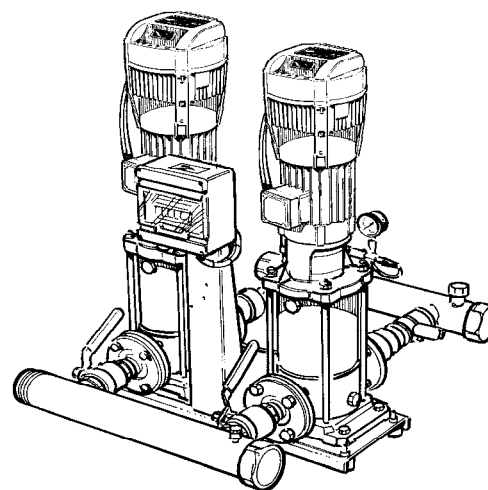
Fill Mode is standard on the above sets to help reduce pipework stress on initial power up or after a power failure.

**Break tank booster sets with vertical multistage e-SV pumps are available on request - please contact our sales office.**

## Two pump variable speed booster sets with e-SV vertical multistage pumps - Series GHV20 F Version

Type	Price	Family Code
GHV20/3SV05F007T/M/UK	£8,523.00	5D
GHV20/3SV06F007T/M/UK	£8,742.00	5D
GHV20/3SV07F007T/M/UK	£8,961.00	5D
GHV20/3SV08F007T/M/UK	£9,014.00	5D
GHV20/3SV09F011T/M/UK	£9,123.00	5D
GHV20/3SV10F011T/M/UK	£9,227.00	5D
GHV20/3SV11F011T/M/UK	£9,297.00	5D
GHV20/3SV12F011T/M/UK	£9,359.00	5D
GHV20/3SV13F015T/M/UK	£9,546.00	5D
GHV20/3SV13F015T/T/UK	£9,546.00	5D
GHV20/3SV14F015T/M/UK	£9,568.00	5D
GHV20/3SV14F015T/T/UK	£9,568.00	5D
GHV20/3SV16F015T/M/UK	£9,666.00	5D
GHV20/3SV16F015T/T/UK	£9,666.00	5D
GHV20/3SV19F022T/M/UK	£10,324.00	5D
GHV20/3SV19F022T/T/UK	£10,324.00	5D
GHV20/3SV21F022T/M/UK	£10,483.00	5D
GHV20/3SV21F022T/T/UK	£10,483.00	5D
GHV20/5SV03F007T/M/UK	£8,776.00	5D
GHV20/5SV04F007T/M/UK	£9,005.00	5D
GHV20/5SV05F007T/M/UK	£9,118.00	5D
GHV20/5SV06F011T/M/UK	£9,126.00	5D
GHV20/5SV07F011T/M/UK	£9,337.00	5D
GHV20/5SV08F011T/M/UK	£9,774.00	5D
GHV20/5SV09F015T/M/UK	£9,819.00	5D
GHV20/5SV09F015T/T/UK	£9,819.00	5D
GHV20/5SV10F015T/M/UK	£10,011.00	5D
GHV20/5SV10F015T/T/UK	£10,011.00	5D
GHV20/5SV11F015T/M/UK	£10,473.00	5D
GHV20/5SV11F015T/T/UK	£10,473.00	5D
GHV20/5SV12F022T/M/UK	£10,696.00	5D
GHV20/5SV12F022T/T/UK	£10,696.00	5D
GHV20/5SV13F022T/M/UK	£10,775.00	5D
GHV20/5SV13F022T/T/UK	£10,775.00	5D
GHV20/5SV14F022T/M/UK	£10,900.00	5D
GHV20/5SV14F022T/T/UK	£10,900.00	5D
GHV20/5SV15F022T/M/UK	£10,969.00	5D
GHV20/5SV15F022T/T/UK	£10,969.00	5D
GHV20/5SV16F022T/M/UK	£11,115.00	5D
GHV20/5SV16F022T/T/UK	£11,115.00	5D
GHV20/5SV18F030T/UK	£11,744.00	5D
GHV20/5SV21F030T/UK	£11,875.00	5D

Type	Price	Family Code
GHV20/10SV02F007T/M/UK	£8,766.00	5D
GHV20/10SV03F011T/M/UK	£9,366.00	5D
GHV20/10SV04F015T/M/UK	£10,306.00	5D
GHV20/10SV04F015T/T/UK	£10,306.00	5D
GHV20/10SV05F022T/M/UK	£10,587.00	5D
GHV20/10SV05F022T/T/UK	£10,587.00	5D
GHV20/10SV06F022T/M/UK	£11,384.00	5D
GHV20/10SV06F022T/T/UK	£11,384.00	5D
GHV20/10SV07F030T/UK	£11,786.00	5D
GHV20/10SV08F030T/UK	£11,924.00	5D
GHV20/10SV09F040T/UK	£12,126.00	5D
GHV20/10SV10F040T/UK	£12,365.00	5D
GHV20/10SV11F040T/UK	£12,505.00	5D
GHV20/10SV13F055T/UK	£13,031.00	5D
GHV20/15SV03F030T/UK	£11,448.00	5D
GHV20/15SV04F040T/UK	£12,240.00	5D
GHV20/15SV05F040T/UK	£13,076.00	5D
GHV20/15SV06F055T/UK	£14,002.00	5D
GHV20/15SV07F055T/UK	£14,792.00	5D
GHV20/15SV08F075T/UK	£16,478.00	5D
GHV20/15SV09F075T/UK	£16,789.00	5D
GHV20/22SV02F022T/M/UK	£12,858.00	5D
GHV20/22SV02F022T/T/UK	£12,858.00	5D
GHV20/22SV03F030T/UK	£13,785.00	5D
GHV20/22SV04F040T/UK	£14,384.00	5D
GHV20/22SV05F055T/UK	£15,992.00	5D
GHV20/22SV06F075T/UK	£17,083.00	5D
GHV20/22SV07F075T/UK	£17,337.00	5D
GHV20/22SV08F110T/UK	£18,027.00	5D
GHV20/22SV10F110T/UK	£18,409.00	5D



**Please note:**

All of the above sets include 2 off 24 litre vessels supplied loose.

Vessels are 8, 10 or 16 bar rated in order to cover the closed valve pump pressure.

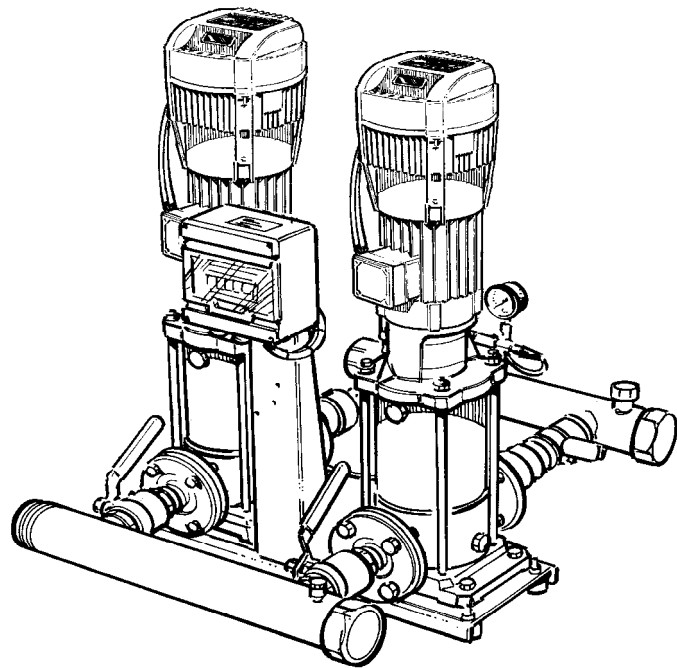
The above prices include for volt free contacts to be wired from the Hydrovar head back to the control panel.

Fill Mode is standard on the above sets to help reduce pipework stress on initial power up or after a power failure.

**Break tank booster sets with vertical multistage e-SV pumps are available on request - please contact our sales office.**

## Two pump variable speed booster sets with e-SV vertical multistage pumps - Series GHV20

Type	Price	Family Code
GHV20/33SV1/1AG022T/UK	£12,715.00	5D
GHV20/33SV1G030T/UK	£13,263.00	5D
GHV20/33SV2/2AG040T/UK	£14,253.00	5D
GHV20/33SV2/1AG040T/UK	£14,253.00	5D
GHV20/33SV2G055T/UK	£15,455.00	5D
GHV20/33SV3/2AG055T/UK	£16,346.00	5D
GHV20/33SV3/1AG075T/UK	£19,404.00	5D
GHV20/33SV3G075T/UK	£19,404.00	5D
GHV20/33SV4/2AG075T/UK	£20,167.00	5D
GHV20/33SV4/1AG110T/UK	£21,373.00	5D
GHV20/33SV4G110T/UK	£21,373.00	5D
GHV20/33SV5/2AG110T/UK	£23,098.00	5D
GHV20/33SV5/1AG110T/UK	£23,098.00	5D
GHV20/33SV5G150T/UK	£25,428.00	5D
GHV20/33SV6/2AG150T/UK	£27,072.00	5D
GHV20/33SV6/1AG150T/UK	£27,072.00	5D
GHV20/33SV6G150T/UK	£27,072.00	5D
GHV20/33SV7/2AG150T/UK	£29,156.00	5D
GHV20/46SV1/1AG030T/UK	£17,098.00	5D
GHV20/46SV1G040T/UK	£17,538.00	5D
GHV20/46SV2/2AG055T/UK	£18,194.00	5D
GHV20/46SV2G075T/UK	£21,325.00	5D
GHV20/46SV3/2AG110T/UK	£24,679.00	5D
GHV20/46SV3G110T/UK	£24,679.00	5D
GHV20/46SV4/2AG150T/UK	£26,465.00	5D
GHV20/46SV4G150T/UK	£26,465.00	5D
GHV20/46SV5/2AG185T/UK	£30,084.00	5D
GHV20/46SV5G185T/UK	£30,084.00	5D
GHV20/46SV6/2AG220T/UK	£31,723.00	5D
GHV20/46SV6G220T/UK	£31,723.00	5D
GHV20/66SV1/1AG040T/UK	£16,452.00	5D
GHV20/66SV1G055T/UK	£17,319.00	5D
GHV20/66SV2/2AG075T/UK	£19,972.00	5D
GHV20/66SV2/1AG110T/UK	£23,517.00	5D
GHV20/66SV2G110T/UK	£23,517.00	5D
GHV20/66SV3/2AG150T/UK	£26,597.00	5D
GHV20/66SV3/1AG150T/UK	£26,597.00	5D
GHV20/66SV3G185T/UK	£28,498.00	5D
GHV20/66SV4/2AG185T/UK	£30,329.00	5D
GHV20/66SV4/1AG220T/UK	£31,531.00	5D
GHV20/66SV4G220T/UK	£31,531.00	5D
GHV20/92SV1/1AG055T/UK	£18,414.00	5D
GHV20/92SV1G075T/UK	£20,728.00	5D
GHV20/92SV2/2AG110T/UK	£25,562.00	5D
GHV20/92SV2G150T/UK	£27,895.00	5D
GHV20/92SV3/2AG185T/UK	£30,725.00	5D
GHV20/92SV3G220T/UK	£31,852.00	5D



**Please note:**

All of the above sets include 2 off 24 litre vessels supplied loose.

Vessels are 8, 10 or 16 bar rated in order to cover the closed valve pump pressure.

The above prices include for volt free contacts to be wired from the Hydrovar head back to the control panel.

Fill Mode is standard on the above sets to help reduce pipework stress on initial power up or after a power failure.

**Break tank booster sets with vertical multistage e-SV pumps are available on request - please contact our sales office.**



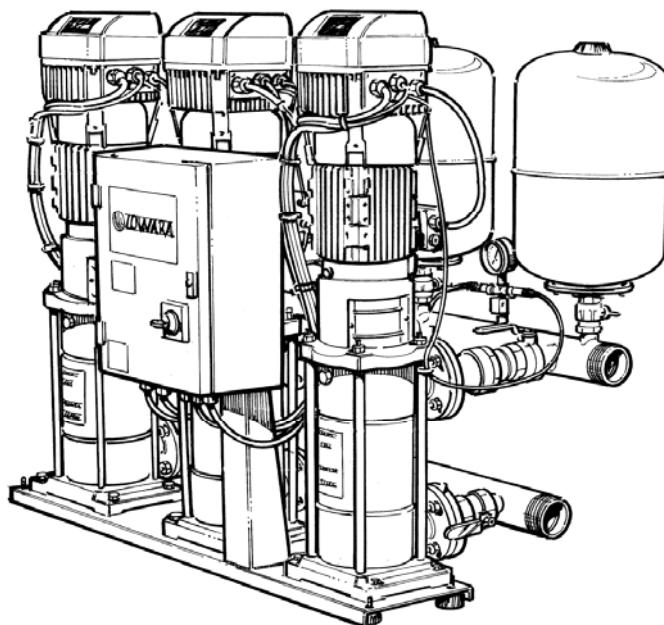
## Three pump variable speed booster sets with e-SV vertical multistage pumps - Series GHV30 R Version

Type	Price	Family Code
GHV30/3SV07R007T/M/UK	£9,328.00	5D
GHV30/3SV08R007T/M/UK	£9,423.00	5D
GHV30/3SV09R011T/M/UK	£9,760.00	5D
GHV30/3SV10R011T/M/UK	£9,830.00	5D
GHV30/3SV11R011T/M/UK	£9,976.00	5D
GHV30/3SV12R011T/M/UK	£10,091.00	5D
GHV30/3SV13R015T/M/UK	£10,602.00	5D
GHV30/3SV13R015T/T/UK	£10,602.00	5D
GHV30/3SV14R015T/M/UK	£10,720.00	5D
GHV30/3SV14R015T/T/UK	£10,720.00	5D
GHV30/3SV16R015T/M/UK	£10,860.00	5D
GHV30/3SV16R015T/T/UK	£10,860.00	5D
GHV30/3SV19R022T/M/UK	£11,061.00	5D
GHV30/3SV19R022T/T/UK	£11,061.00	5D
GHV30/3SV21R022T/M/UK	£11,651.00	5D
GHV30/3SV21R022T/T/UK	£11,651.00	5D

GHV30/5SV07R011T/M/UK	£12,616.00	5D
GHV30/5SV08R011T/M/UK	£13,167.00	5D
GHV30/5SV09R015T/M/UK	£13,932.00	5D
GHV30/5SV09R015T/T/UK	£13,932.00	5D
GHV30/5SV10R015T/M/UK	£14,086.00	5D
GHV30/5SV10R015T/T/UK	£14,086.00	5D
GHV30/5SV11R015T/M/UK	£14,264.00	5D
GHV30/5SV11R015T/T/UK	£14,264.00	5D
GHV30/5SV12R022T/M/UK	£14,406.00	5D
GHV30/5SV12R022T/T/UK	£14,406.00	5D
GHV30/5SV13R022T/M/UK	£14,678.00	5D
GHV30/5SV13R022T/T/UK	£14,678.00	5D
GHV30/5SV14R022T/M/UK	£14,947.00	5D
GHV30/5SV14R022T/T/UK	£14,947.00	5D
GHV30/5SV15R022T/M/UK	£15,198.00	5D
GHV30/5SV15R022T/T/UK	£15,198.00	5D
GHV30/5SV16R022T/M/UK	£15,555.00	5D
GHV30/5SV16R022T/T/UK	£15,555.00	5D
GHV30/5SV18R030T/UK	£16,674.00	5D
GHV30/5SV21R030T/UK	£17,053.00	5D

Type	Price	Family Code
GHV30/10SV05R022T/M/UK	£14,580.00	5D
GHV30/10SV05R022T/T/UK	£14,580.00	5D
GHV30/10SV06R022T/M/UK	£15,845.00	5D
GHV30/10SV06R022T/T/UK	£15,845.00	5D
GHV30/10SV07R030T/UK	£16,346.00	5D
GHV30/10SV08R030T/UK	£16,620.00	5D
GHV30/10SV09R040T/UK	£17,089.00	5D
GHV30/10SV10R040T/UK	£17,881.00	5D
GHV30/10SV11R040T/UK	£18,089.00	5D
GHV30/10SV13R055T/UK	£18,534.00	5D
GHV30/15SV04R040T/UK	£17,432.00	5D
GHV30/15SV05R040T/UK	£18,320.00	5D
GHV30/15SV06R055T/UK	£18,782.00	5D
GHV30/15SV07R055T/UK	£20,802.00	5D
GHV30/15SV08R075T/UK	£22,159.00	5D
GHV30/15SV09R075T/UK	£22,678.00	5D

GHV30/22SV04R040T/UK	£19,849.00	5D
GHV30/22SV05R055T/UK	£24,312.00	5D
GHV30/22SV06R075T/UK	£25,813.00	5D
GHV30/22SV07R075T/UK	£25,900.00	5D



**Please note:**

All of the above sets include 3 off 24 litre vessels supplied loose.

Vessels are 8, 10 or 16 bar rated in order to cover the closed valve pump pressure.

The above prices include for volt free contacts to be wired from the Hydrovar head back to the control panel.

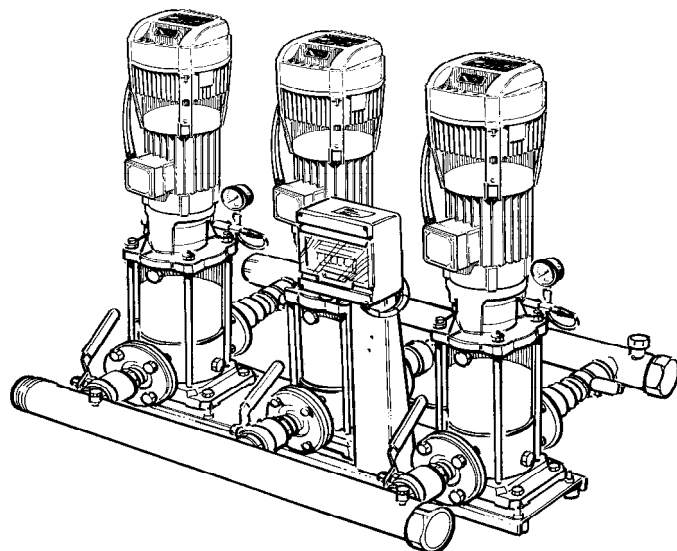
Fill Mode is standard on the above sets to help reduce pipework stress on initial power up or after a power failure.

**Break tank booster sets with vertical multistage e-SV pumps are available on request - please contact our sales office.**

## Three pump variable speed booster sets with e-SV vertical multistage pumps - Series GHV30 F Version

Type	Price	Family Code
GHV30/3SV05F007T/M/UK	£9,061.00	5D
GHV30/3SV06F007T/M/UK	£9,126.00	5D
GHV30/3SV07F007T/M/UK	£9,328.00	5D
GHV30/3SV08F007T/M/UK	£9,423.00	5D
GHV30/3SV09F011T/M/UK	£9,760.00	5D
GHV30/3SV10F011T/M/UK	£9,830.00	5D
GHV30/3SV11F011T/M/UK	£9,976.00	5D
GHV30/3SV12F011T/M/UK	£10,091.00	5D
GHV30/3SV13F015T/M/UK	£10,602.00	5D
GHV30/3SV13F015T/T/UK	£10,602.00	5D
GHV30/3SV14F015T/M/UK	£10,720.00	5D
GHV30/3SV14F015T/T/UK	£10,720.00	5D
GHV30/3SV16F015T/M/UK	£10,860.00	5D
GHV30/3SV16F015T/T/UK	£10,860.00	5D
GHV30/3SV19F022T/M/UK	£11,061.00	5D
GHV30/3SV19F022T/T/UK	£11,061.00	5D
GHV30/3SV21F022T/M/UK	£11,651.00	5D
GHV30/3SV21F022T/T/UK	£11,651.00	5D
GHV30/5SV04F007T/M/UK	£11,506.00	5D
GHV30/5SV05F007T/M/UK	£12,190.00	5D
GHV30/5SV06F011T/M/UK	£12,196.00	5D
GHV30/5SV07F011T/M/UK	£12,616.00	5D
GHV30/5SV08F011T/M/UK	£13,167.00	5D
GHV30/5SV09F015T/M/UK	£13,932.00	5D
GHV30/5SV09F015T/T/UK	£13,932.00	5D
GHV30/5SV10F015T/M/UK	£14,086.00	5D
GHV30/5SV10F015T/T/UK	£14,086.00	5D
GHV30/5SV11F015T/M/UK	£14,264.00	5D
GHV30/5SV11F015T/T/UK	£14,264.00	5D
GHV30/5SV12F022T/M/UK	£14,406.00	5D
GHV30/5SV12F022T/T/UK	£14,406.00	5D
GHV30/5SV13F022T/M/UK	£14,678.00	5D
GHV30/5SV13F022T/T/UK	£14,678.00	5D
GHV30/5SV14F022T/M/UK	£14,947.00	5D
GHV30/5SV14F022T/T/UK	£14,947.00	5D
GHV30/5SV15F022T/M/UK	£15,198.00	5D
GHV30/5SV15F022T/T/UK	£15,198.00	5D
GHV30/5SV16F022T/M/UK	£15,555.00	5D
GHV30/5SV16F022T/T/UK	£15,555.00	5D
GHV30/5SV18F030T/UK	£16,674.00	5D
GHV30/5SV21F030T/UK	£17,053.00	5D

Type	Price	Family Code
GHV30/10SV04F015T/M/UK	£14,041.00	5D
GHV30/10SV04F015T/T/UK	£14,041.00	5D
GHV30/10SV05F022T/M/UK	£14,580.00	5D
GHV30/10SV05F022T/T/UK	£14,580.00	5D
GHV30/10SV06F022T/M/UK	£15,845.00	5D
GHV30/10SV06F022T/T/UK	£15,845.00	5D
GHV30/10SV07F030T/UK	£16,346.00	5D
GHV30/10SV08F030T/UK	£16,620.00	5D
GHV30/10SV09F040T/UK	£17,089.00	5D
GHV30/10SV10F040T/UK	£17,881.00	5D
GHV30/10SV11F040T/UK	£18,089.00	5D
GHV30/10SV13F055T/UK	£18,534.00	5D
GHV30/15SV03F030T/UK	£16,166.00	5D
GHV30/15SV04F040T/UK	£17,432.00	5D
GHV30/15SV05F040T/UK	£18,320.00	5D
GHV30/15SV06F055T/UK	£18,782.00	5D
GHV30/15SV07F055T/UK	£20,802.00	5D
GHV30/15SV08F075T/UK	£22,159.00	5D
GHV30/15SV09F075T/UK	£22,678.00	5D
GHV30/15SV10F110T/UK	£24,168.00	5D
GHV30/22SV02F022T/M/UK	£18,573.00	5D
GHV30/22SV02F022T/T/UK	£18,573.00	5D
GHV30/22SV03F030T/UK	£19,081.00	5D
GHV30/22SV04F040T/UK	£19,849.00	5D
GHV30/22SV05F055T/UK	£24,312.00	5D
GHV30/22SV06F075T/UK	£25,813.00	5D
GHV30/22SV07F075T/UK	£25,900.00	5D
GHV30/22SV08F110T/UK	£27,234.00	5D
GHV30/22SV10F110T/UK	£28,278.00	5D



**Please note:**

All of the above sets include 3 off 24 litre vessels supplied loose.

Vessels are 8, 10 or 16 bar rated in order to cover the closed valve pump pressure.

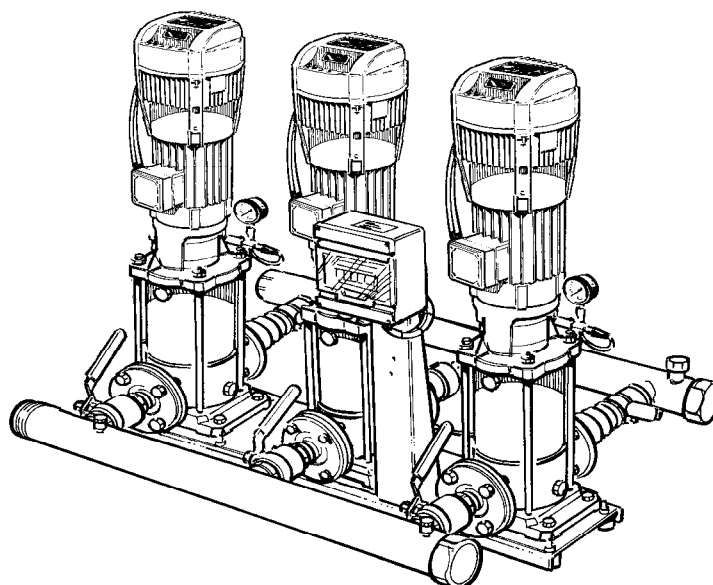
The above prices include for volt free contacts to be wired from the Hydrovar head back to the control panel.

Fill Mode is standard on the above sets to help reduce pipework stress on initial power up or after a power failure.

**Break tank booster sets with vertical multistage e-SV pumps are available on request - please contact our sales office.**

## Three pump variable speed booster sets with e-SV vertical multistage pumps - Series GHV30

Type	Price	Family Code
GHV30/33SV1/1AG022T/UK	£18,414.00	5D
GHV30/33SV1G030T/UK	£19,181.00	5D
GHV30/33SV2/2AG040T/UK	£20,544.00	5D
GHV30/33SV2/1AG040T/UK	£20,544.00	5D
GHV30/33SV2G055T/UK	£21,757.00	5D
GHV30/33SV3/2AG055T/UK	£22,538.00	5D
GHV30/33SV3/1AG075T/UK	£25,428.00	5D
GHV30/33SV3G075T/UK	£25,428.00	5D
GHV30/33SV4/2AG075T/UK	£29,373.00	5D
GHV30/33SV4/1AG110T/UK	£31,456.00	5D
GHV30/33SV4G110T/UK	£31,456.00	5D
GHV30/33SV5/2AG110T/UK	£34,415.00	5D
GHV30/33SV5/1AG110T/UK	£34,415.00	5D
GHV30/33SV5G150T/UK	£36,388.00	5D
GHV30/33SV6/2AG150T/UK	£37,604.00	5D
GHV30/33SV6/1AG150T/UK	£37,604.00	5D
GHV30/33SV6G150T/UK	£37,604.00	5D
GHV30/33SV7/2AG150T/UK	£38,470.00	5D
GHV30/46SV1/1AG030T/UK	£21,154.00	5D
GHV30/46SV1G040T/UK	£22,139.00	5D
GHV30/46SV2/2AG055T/UK	£25,894.00	5D
GHV30/46SV2G075T/UK	£31,068.00	5D
GHV30/46SV3/2AG110T/UK	£33,428.00	5D
GHV30/46SV3G110T/UK	£33,428.00	5D
GHV30/46SV4/2AG150T/UK	£37,155.00	5D
GHV30/46SV4G150T/UK	£37,155.00	5D
GHV30/46SV5/2AG185T/UK	£40,223.00	5D
GHV30/46SV5G185T/UK	£40,223.00	5D
GHV30/46SV6/2AG220T/UK	£45,047.00	5D
GHV30/46SV6G220T/UK	£45,047.00	5D
GHV30/66SV1/1AG040T/UK	£23,127.00	5D
GHV30/66SV1G055T/UK	£24,122.00	5D
GHV30/66SV2/2AG075T/UK	£26,416.00	5D
GHV30/66SV2/1AG110T/UK	£35,859.00	5D
GHV30/66SV2G110T/UK	£35,859.00	5D
GHV30/66SV3/2AG150T/UK	£39,678.00	5D
GHV30/66SV3/1AG150T/UK	£39,678.00	5D
GHV30/66SV3G185T/UK	£44,608.00	5D
GHV30/66SV4/2AG185T/UK	£45,233.00	5D
GHV30/66SV4/1AG220T/UK	£46,907.00	5D
GHV30/66SV4G220T/UK	£46,907.00	5D
GHV30/92SV1/1AG055T/UK	£28,277.00	5D
GHV30/92SV1G075T/UK	£30,619.00	5D
GHV30/92SV2/2AG110T/UK	£35,368.00	5D
GHV30/92SV2G150T/UK	£38,350.00	5D
GHV30/92SV3/2AG185T/UK	£44,568.00	5D
GHV30/92SV3G220T/UK	£47,306.00	5D



Clean water packaged sets

**Please note:**

All of the above sets include 3 off 24 litre vessels supplied loose.

Vessels are 8, 10 or 16 bar rated in order to cover the closed valve pump pressure.

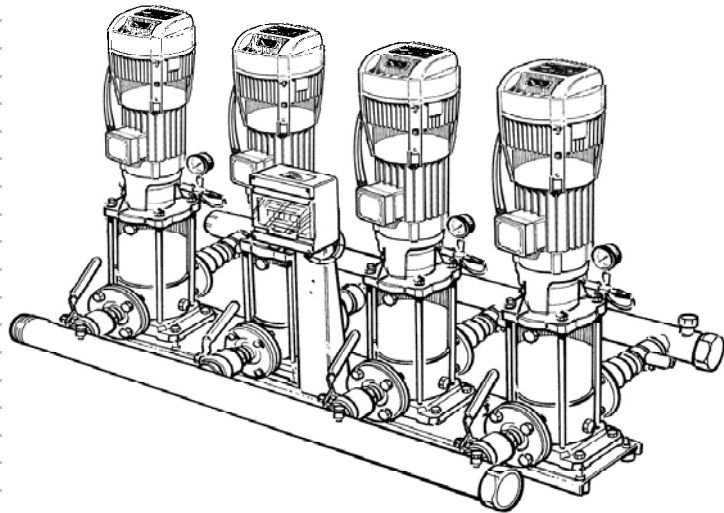
The above prices include for volt free contacts to be wired from the Hydrovar head back to the control panel.

Fill Mode is standard on the above sets to help reduce pipework stress on initial power up or after a power failure.

**Break tank booster sets with vertical multistage e-SV pumps are available on request - please contact our sales office.**

## Four pump variable speed booster sets with e-SV vertical multistage pumps - Series GHV40 F Version

Type	Price	Family Code
GHV40/5SV04F007T/M/UK	£18,416.00	5D
GHV40/5SV05F007T/M/UK	£18,855.00	5D
GHV40/5SV06F011T/M/UK	£19,046.00	5D
GHV40/5SV07F011T/M/UK	£19,087.00	5D
GHV40/5SV08F011T/M/UK	£19,144.00	5D
GHV40/5SV09F015T/M/UK	£19,158.00	5D
GHV40/5SV09F015T/T/UK	£19,158.00	5D
GHV40/5SV11F015T/M/UK	£19,202.00	5D
GHV40/5SV11F015T/T/UK	£19,202.00	5D
GHV40/5SV13F022T/M/UK	£19,220.00	5D
GHV40/5SV13F022T/T/UK	£19,220.00	5D
GHV40/5SV14F022T/M/UK	£19,385.00	5D
GHV40/5SV14F022T/T/UK	£19,385.00	5D
GHV40/5SV16F022T/M/UK	£19,640.00	5D
GHV40/5SV16F022T/T/UK	£19,640.00	5D
GHV40/10SV04F015T/M/UK	£18,198.00	5D
GHV40/10SV04F015T/T/UK	£18,198.00	5D
GHV40/10SV05F022T/M/UK	£18,792.00	5D
GHV40/10SV05F022T/T/UK	£18,792.00	5D
GHV40/10SV06F022T/M/UK	£19,636.00	5D
GHV40/10SV06F022T/T/UK	£19,636.00	5D
GHV40/10SV07F030T/UK	£21,281.00	5D
GHV40/10SV09F040T/UK	£22,162.00	5D
GHV40/10SV10F040T/UK	£22,708.00	5D
GHV40/10SV13F055T/UK	£24,091.00	5D
GHV40/15SV03F030T/UK	£20,482.00	5D
GHV40/15SV04F040T/UK	£22,172.00	5D
GHV40/15SV05F040T/UK	£23,147.00	5D
GHV40/15SV06F055T/UK	£24,082.00	5D
GHV40/15SV07F055T/UK	£25,669.00	5D
GHV40/15SV08F075T/UK	£28,193.00	5D
GHV40/15SV09F075T/UK	£28,968.00	5D
GHV40/15SV10F110T/UK	£30,366.00	5D
GHV40/22SV02F022T/M/UK	£23,880.00	5D
GHV40/22SV02F022T/UK	£23,880.00	5D
GHV40/22SV03F030T/UK	£25,130.00	5D
GHV40/22SV04F040T/UK	£26,618.00	5D
GHV40/22SV05F055T/UK	£29,006.00	5D
GHV40/22SV06F075T/UK	£36,410.00	5D
GHV40/22SV07F075T/UK	£36,793.00	5D
GHV40/22SV08F110T/UK	£37,270.00	5D
GHV40/22SV10F110T/UK	£37,688.00	5D



**Please note:**

All of the above sets include 4 off 24 litre vessels supplied loose.

Vessels are 8, 10 or 16 bar rated in order to cover the closed valve pump pressure.

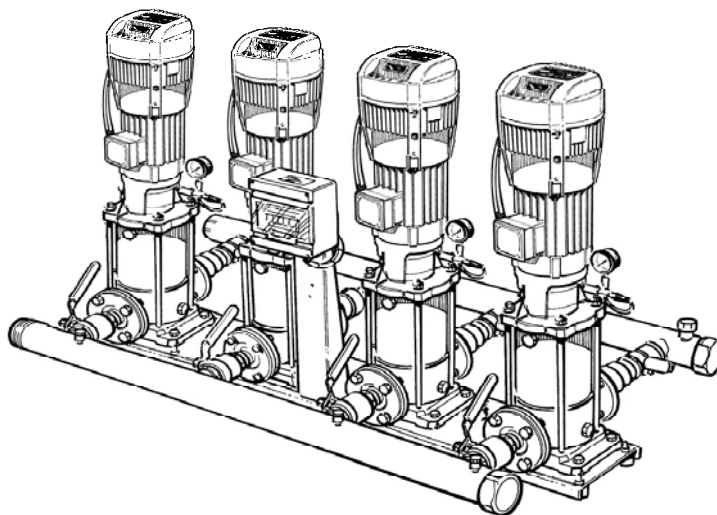
The above prices include for volt free contacts to be wired from the Hydrovar head back to the control panel.

Fill Mode is standard on the above sets to help reduce pipework stress on initial power up or after a power failure.

**Break tank booster sets with vertical multistage e-SV pumps are available on request - please contact our sales office.**

## Four pump variable speed booster sets with e-SV vertical multistage pumps - Series GHV40

Type	Price	Family Code
GHV40/33SV1/1AG022T/UK	£20,551.00	5D
GHV40/33SV1G030T/UK	£22,139.00	5D
GHV40/33SV2/2AG040T/UK	£24,651.00	5D
GHV40/33SV2/1AG040T/UK	£24,651.00	5D
GHV40/33SV2G055T/UK	£26,141.00	5D
GHV40/33SV3/2AG055T/UK	£27,225.00	5D
GHV40/33SV3/1AG075T/UK	£29,592.00	5D
GHV40/33SV3G075T/UK	£29,592.00	5D
GHV40/33SV4/2AG075T/UK	£32,607.00	5D
GHV40/33SV4/1AG110T/UK	£35,621.00	5D
GHV40/33SV4G110T/UK	£35,621.00	5D
GHV40/33SV5/2AG110T/UK	£40,389.00	5D
GHV40/33SV5/1AG110T/UK	£40,389.00	5D
GHV40/33SV5G150T/UK	£44,334.00	5D
GHV40/33SV6/2AG150T/UK	£46,636.00	5D
GHV40/33SV6/1AG150T/UK	£46,636.00	5D
GHV40/33SV6G150T/UK	£46,636.00	5D
GHV40/33SV7/2AG150T/UK	£50,086.00	5D
GHV40/46SV1/1AG030T/UK	£24,716.00	5D
GHV40/46SV1G040T/UK	£25,646.00	5D
GHV40/46SV2/2AG055T/UK	£28,481.00	5D
GHV40/46SV2G075T/UK	£34,706.00	5D
GHV40/46SV3/2AG110T/UK	£39,785.00	5D
GHV40/46SV3G110T/UK	£39,785.00	5D
GHV40/46SV4/2AG150T/UK	£45,593.00	5D
GHV40/46SV4G150T/UK	£45,593.00	5D
GHV40/46SV5/2AG185T/UK	£52,827.00	5D
GHV40/46SV5G185T/UK	£52,827.00	5D
GHV40/46SV6/2AG220T/UK	£56,663.00	5D
GHV40/46SV6G220T/UK	£56,663.00	5D
GHV40/66SV1/1AG040T/UK	£32,004.00	5D
GHV40/66SV1G055T/UK	£34,524.00	5D
GHV40/66SV2/2AG075T/UK	£36,490.00	5D
GHV40/66SV2/1AG110T/UK	£40,223.00	5D
GHV40/66SV2G110T/UK	£40,223.00	5D
GHV40/66SV3/2AG150T/UK	£46,032.00	5D
GHV40/66SV3/1AG150T/UK	£46,032.00	5D
GHV40/66SV3G185T/UK	£51,292.00	5D
GHV40/66SV4/2AG185T/UK	£53,283.00	5D
GHV40/66SV4/1AG220T/UK	£56,224.00	5D
GHV40/66SV4G220T/UK	£56,224.00	5D
GHV40/92SV1/1AG055T/UK	£31,456.00	5D
GHV40/92SV1G075T/UK	£33,038.00	5D
GHV40/92SV2/2AG110T/UK	£41,287.00	5D
GHV40/92SV2G150T/UK	£44,004.00	5D
GHV40/92SV3/2AG185T/UK	£50,818.00	5D
GHV40/92SV3G220T/UK	£52,750.00	5D



Clean water packaged sets

**Please note:**

All of the above sets include 4 off 24 litre vessels supplied loose.

Vessels are 8, 10 or 16 bar rated in order to cover the closed valve pump pressure.

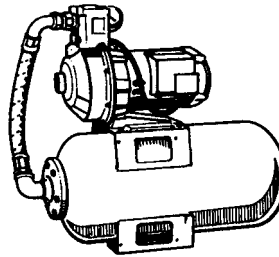
The above prices include for volt free contacts to be wired from the Hydrovar head back to the control panel.

Fill Mode is standard on the above sets to help reduce pipework stress on initial power up or after a power failure.

**Break tank booster sets with vertical multistage e-SV pumps are available on request - please contact our sales office.**

## Pressure set additions to standard pumps (cold water)

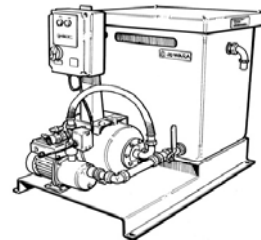
Type	Price	Family Code	Description
Hydrotube 8 group	£181.00	7F	Hydrotube with pressure switch, pressure gauge, 5-way connector and N.R.V. assembled on pump. (Price of pump to be added).
Hydrosphere 24 group	£192.00	7F	Hydrosphere with above components assembled on pump. (Price of pump to be added).
Hydrotube 24 group	£255.00	7F	Hydrotube with bracket, flexible connector, pressure switch, pressure gauge, 5-way connector and N.R.V. Pump mounted on top of vessel. (Price of pump to be added).



Please note that starter/control panels are not included in the above prices.

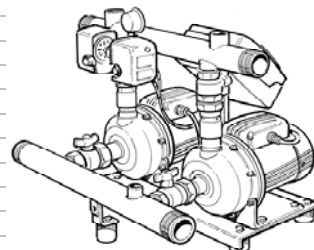
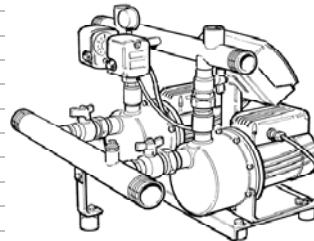
## Mini cold water fixed speed packaged booster sets

Type	Price	Family Code	Description
Mini F Fixed Speed HM Booster Set	£1,903.00	7F	24 litre horizontal vessel, flexible connector pressure switch, pressure gauge, fixed pipework, N.R.V., pump isolation valves, bleed valve, D.O.L. panel with low water protection and isolator, 250 litre type AB air gap insulated break tank all mounted on a bed plate. (Price of pump to be added).



## Twin pump booster sets (fixed speed)

Type	Price	Family Code	Part Number	Phase	kW	kg
GXS20/BGM9	£1,682.00	5A	100100200	1	2 x 0.9	45
GXS20/BGM11	£2,056.00	5A	100100300	1	2 x 1.1	50
GXS20/2HM3/UK	£2,743.00	5A	1001005U0	1	2 x 0.3	45
GXS20/2HM5/UK	£2,939.00	5A	1GF2D14001	1	2 x 0.55	45
GXS20/2HMS4/UK	£3,017.00	5A	1001006U0	1	2 x 0.45	45
GXS20/2HMS7/UK	£3,079.00	5A	1001008U0	1	2 x 0.75	50
GXS20/4HMS4/UK	£3,027.00	5A	1001009U0	1	2 x 0.45	45
GXS20/4HMS5/UK	£3,035.00	5A	1001010U0	1	2 x 0.55	50
GXS20/4HMS7/UK	£3,096.00	5A	1001011U0	1	2 x 0.75	50
GXS20/4HM9/UK	£3,088.00	5A	1001012U0	1	2 x 0.9	50
GMD20/4HM9T/UK	£3,267.00	5A	1005000101	3	2 x 0.9	70
GMD20/4HMS7T/UK	£3,617.00	5A	1005000100	3	2 x 0.75	70
GXS20/CEAM70/5-V/UK	£3,027.00	5A	1001014U0	1	2 x 0.55	45
GXS20/CEAM80/5-V/UK	£3,035.00	5A	1001015U0	1	2 x 0.75	50
GXS20/CEAM120/3-V/UK	£3,063.00	5A	1001016U0	1	2 x 0.55	50
GXS20/CEAM120/5-V/UK	£3,073.00	5A	1001017U0	1	2 x 0.9	50
GXS20/CEAM210/3/UK	£3,260.00	5A	1GF2E27001XXM1	1	2 x 1.1	52
GXS20/CAM70/33-V/UK	£3,220.00	5A	1001020U1	1	2 x 0.75	60
GXS20/CAM70/34-V/UK	£3,230.00	5A	1001021U0	1	2 x 0.9	60
GXS20/CAM70/45-V/UK	£3,377.00	5A	1001022U0	1	2 x 1.1	65
GXS20/CAM120/33-V/UK	£3,395.00	5A	1001023U0	1	2 x 1.1	65
GXS20/CAM120/35-V/UK	£3,815.00	5A	1LV014217	1	2 x 1.5	65
GMS20/CAM120/55-V/UK	£4,459.00	5A	1GF2E1610KXXM1U	1	2 x 2.2	65
GMS20/CAM200/33-V/UK	£4,609.00	5A	1GF2E1710KXXM1U	1	2 x 2.2	65
GMD20/CEA70/3-V/UK	£3,144.00	5A	1001213U0	3	2 X 0.37	50
GMD20/CEA210/2-V/UK	£3,220.00	5A	1005000128	3	2 x 0.75	52
GMD20/CEA210/3-V/UK	£3,338.00	5A	1005000288	3	2 x 1.1	56
GMD20/CA70/45-V/UK	£3,714.00	5A	1005000102	3	2 x 1.1	52
GMD20/CA120/33-V/UK	£3,855.00	5A	1005000103	3	2 x 1.1	52
GMD20/CA120/35-V/UK	£4,274.00	5A	1005000104	3	2 x 1.5	80
GMD20/CA120/55-V/UK	£4,555.00	5A	1005000105	3	2 x 2.2	80
GMD20/CA200/33-V/UK	£4,523.00	5A	1005000112	3	2 x 1.85	80
GMD20/CA200/35-V/UK	£4,568.00	5A	TBA	3	2 x 2.2	80
GMD20/CA200/55-V/UK	£4,621.00	5A	TBA	3	2 x 3	80



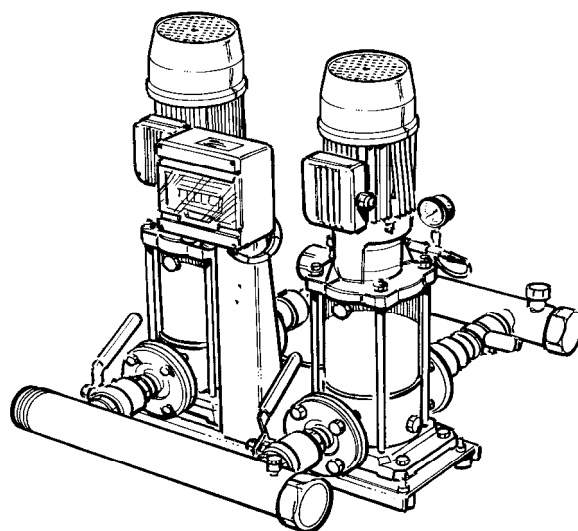
### Please note:

Each twin pump set comes with two 24 litre expansion vessels supplied loose, if additional storage is required please add from our vessel range.

Pressure switch for above sets (GTK, 0-8 bar)	£121.00	9H	002161316
--	---------	----	-----------

**Two pump fixed speed booster sets with e-SV vertical multistage pumps - Series GM#20**

Type	Price	Family Code
GMS20/3SV04F003M/UK	£4,914.00	5G
GMD20/3SV04F003T/UK	£4,095.00	5G
GMS20/3SV05F005M/UK	£4,944.00	5G
GMD20/3SV05F005T/UK	£4,126.00	5G
GMS20/3SV06F005M/UK	£5,045.00	5G
GMD20/3SV06F005T/UK	£4,252.00	5G
GMS20/3SV07F007M/UK	£5,097.00	5G
GMD20/3SV07F007T/UK	£4,298.00	5G
GMS20/3SV08F007M/UK	£5,217.00	5G
GMD20/3SV08F007T/UK	£4,423.00	5G
GMS20/3SV09F011M/UK	£5,334.00	5G
GMD20/3SV09F011T/UK	£4,500.00	5G
GMS20/3SV10F011M/UK	£5,537.00	5G
GMD20/3SV10F011T/UK	£4,652.00	5G
GMS20/3SV12F011M/UK	£5,690.00	5G
GMD20/3SV12F011T/UK	£4,831.00	5G
GMS20/3SV13F015M/UK	£5,837.00	5G
GMD20/3SV13F015T/UK	£4,895.00	5G
GMS20/3SV14F015M/UK	£5,886.00	5G
GMD20/3SV14F015T/UK	£5,033.00	5G
GMS20/3SV16F015M/UK	£5,935.00	5G
GMD20/3SV16F015T/UK	£5,142.00	5G
GMS20/3SV19F022M/UK	£6,070.00	5G
GMD20/3SV19F022T/UK	£5,508.00	5G
GMS20/5SV03F005M/UK	£4,949.00	5G
GMD20/5SV03F005T/UK	£4,194.00	5G
GMS20/5SV04F005M/UK	£5,108.00	5G
GMD20/5SV04F005T/UK	£4,229.00	5G
GMS20/5SV05F007M/UK	£5,159.00	5G
GMD20/5SV05F007T/UK	£4,336.00	5G
GMS20/5SV06F011M/UK	£5,217.00	5G
GMD20/5SV06F011T/UK	£4,385.00	5G
GMS20/5SV07F011M/UK	£5,341.00	5G
GMD20/5SV07F011T/UK	£4,516.00	5G
GMS20/5SV08F011M/UK	£5,439.00	5G
GMD20/5SV08F011T/UK	£4,607.00	5G
GMS20/5SV09F015M/UK	£5,546.00	5G
GMD20/5SV09F015T/UK	£4,754.00	5G
GMS20/5SV11F015M/UK	£5,742.00	5G
GMD20/5SV11F015T/UK	£4,866.00	5G
GMS20/5SV12F022M/UK	£5,800.00	5G
GMD20/5SV12F022T/UK	£4,958.00	5G
GMS20/5SV13F022M/UK	£5,837.00	5G
GMD20/5SV13F022T/UK	£5,006.00	5G
GMS20/5SV14F022M/UK	£5,242.00	5G
GMD20/5SV14F022T/UK	£5,028.00	5G
GMS20/5SV15F022M/UK	£5,298.00	5G
GMD20/5SV15F022T/UK	£5,066.00	5G
GMS20/5SV16F022M/UK	£5,352.00	5G
GMD20/5SV16F022T/UK	£5,130.00	5G
GMD20/5SV18F030T/UK	£5,676.00	5G
GMS20/10SV03F011M/UK	£6,106.00	5G
GMD20/10SV03F011T/UK	£4,779.00	5G
GMS20/10SV04F015M/UK	£6,129.00	5G
GMD20/10SV04F015T/UK	£4,866.00	5G
GMS20/10SV05F022M/UK	£6,227.00	5G
GMD20/10SV05F022T/UK	£4,961.00	5G
GMS20/10SV06F022M/UK	£6,300.00	5G
GMD20/10SV06F022T/UK	£5,034.00	5G
GMD20/10SV07F030T/UK	£5,323.00	5G
GMD20/10SV09F040T/UK	£5,655.00	5G
GMD20/10SV10F040T/UK	£5,814.00	5G



**Please note:**

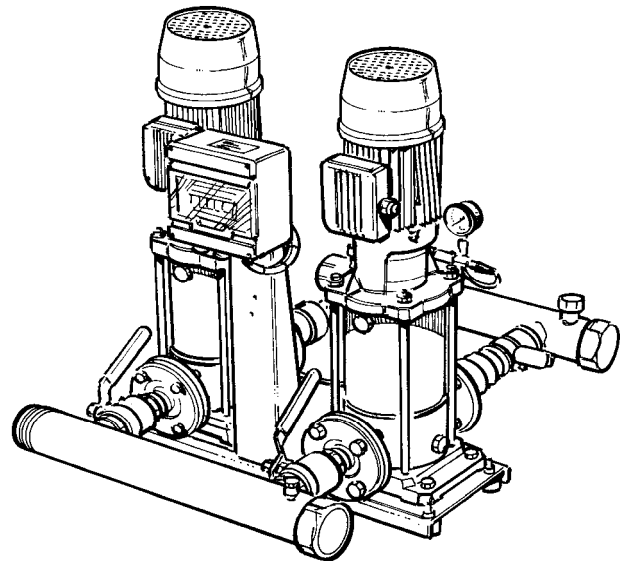
All of the above sets include 2 off 24 litre vessels supplied loose, if larger storage capacity is required then please add accordingly.  
The above prices include relay cards for volt free contacts



## Two pump fixed speed booster sets with e-SV vertical multistage pumps - Series GS#20

Type	Price	Family Code
GSD20/10SV09F040T/UK	£7,044.00	5G
GSD20/10SV10F040T/UK	£7,162.00	5G
GSD20/10SV11F040T/UK	£7,748.00	5G
GSD20/10SV13F055T/UK	£8,218.00	5G
GSD20/15SV03F030T/UK	£7,748.00	5G
GSD20/15SV04F040T/UK	£7,984.00	5G
GSD20/15SV05F040T/UK	£8,218.00	5G
GSD20/15SV06F055T/UK	£9,510.00	5G
GSD20/15SV07F055T/UK	£9,744.00	5G
GSY20/15SV08F075T/UK	£10,800.00	5G
GSY20/15SV09F075T/UK	£11,154.00	5G
GSY20/15SV10F110T/UK	£11,974.00	5G
GSD20/22SV03F030T/UK	£9,014.00	5G
GSD20/22SV04F040T/UK	£9,392.00	5G
GSD20/22SV05F055T/UK	£9,744.00	5G
GSY20/22SV06F075T/UK	£10,566.00	5G
GSY20/22SV07F075T/UK	£10,800.00	5G
GSY20/22SV08F110T/UK	£11,740.00	5G
GSY20/22SV09F110T/UK	£12,092.00	5G
GSY20/22SV10F110T/UK	£12,328.00	5G
GSD20/33SV1/1AG022T/UK	£10,684.00	5G
GSD20/33SV1G030T/UK	£10,993.00	5G
GSD20/33SV2/2AG040T/UK	£11,639.00	5G
GSD20/33SV2/1AG040T/UK	£11,639.00	5G
GSD20/33SV2G055T/UK	£12,303.00	5G
GSD20/33SV3/2AG055T/UK	£12,739.00	5G
GSY20/33SV3/1AG075T/UK	£13,081.00	5G
GSY20/33SV3G075T/UK	£13,081.00	5G
GSY20/33SV4/2AG075T/UK	£14,141.00	5G
GSY20/33SV4/1AG110T/UK	£14,688.00	5G
GSY20/33SV4G110T/UK	£14,688.00	5G
GSY20/33SV5/2AG110T/UK	£15,259.00	5G
GSY20/33SV5/1AG110T/UK	£15,259.00	5G
GSY20/33SV5G150T/UK	£15,848.00	5G
GSY20/33SV6/2AG150T/UK	£16,554.00	5G
GSY20/33SV6/1AG150T/UK	£16,554.00	5G
GSY20/33SV6G150T/UK	£16,554.00	5G
GSY20/33SV7/2AG150T/UK	£16,969.00	5G
GSD20/46SV1/1AG030T/UK	£11,538.00	5G
GSD20/46SV1G040T/UK	£11,858.00	5G
GSD20/46SV2/2AG055T/UK	£12,795.00	5G
GSY20/46SV2G075T/UK	£13,104.00	5G
GSY20/46SV3/2AG110T/UK	£14,668.00	5G
GSY20/46SV3G110T/UK	£14,668.00	5G
GSY20/46SV4/2AG150T/UK	£16,488.00	5G
GSY20/46SV4G150T/UK	£16,488.00	5G
GSY20/46SV5/2AG185T/UK	£17,420.00	5G
GSY20/46SV5G185T/UK	£17,420.00	5G
GSY20/46SV6/2AG220T/UK	£18,349.00	5G
GSY20/46SV6G220T/UK	£18,349.00	5G

Type	Price	Family Code
GSD20/66SV1/1AG040T/UK	£12,952.00	5G
GSD20/66SV1G055T/UK	£13,583.00	5G
GSY20/66SV2/2AG075T/UK	£14,348.00	5G
GSY20/66SV2/1AG110T/UK	£15,466.00	5G
GSY20/66SV2G110T/UK	£15,466.00	5G
GSY20/66SV3/2AG150T/UK	£17,394.00	5G
GSY20/66SV3/1AG150T/UK	£17,394.00	5G
GSY20/66SV3G185T/UK	£17,701.00	5G
GSY20/66SV4/2AG185T/UK	£18,352.00	5G
GSY20/66SV4/1AG220T/UK	£18,731.00	5G
GSY20/66SV4G220T/UK	£18,731.00	5G
GSY20/66SV5/2AG300T/UK	£22,238.00	5G
GSY20/66SV5/1AG300T/UK	£22,238.00	5G
GSY20/66SV5G300T/UK	£22,238.00	5G
GSD20/92SV1/1AG055T/UK	£15,191.00	5G
GSY20/92SV1G075T/UK	£15,303.00	5G
GSY20/92SV2/2AG110T/UK	£16,873.00	5G
GSY20/92SV2G150T/UK	£18,677.00	5G
GSY20/92SV3/2AG185T/UK	£19,145.00	5G
GSY20/92SV3G220T/UK	£19,526.00	5G
GSY20/92SV4/2AG300T/UK	£23,187.00	5G
GSY20/92SV4G300T/UK	£23,187.00	5G
GSY20/92SV5/2AG370T/UK	£25,104.00	5G



**Please note:**

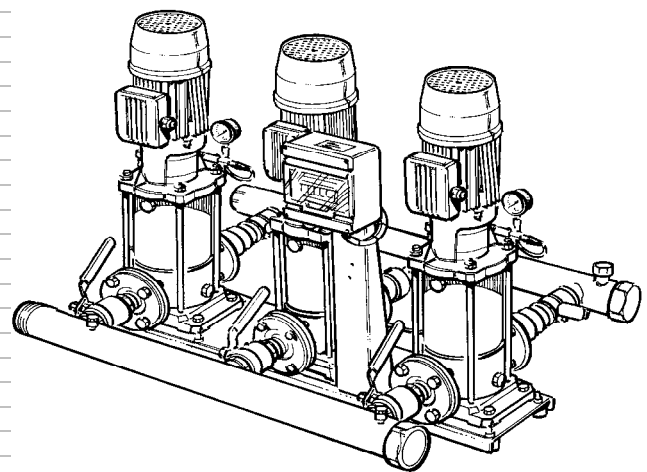
All of the above sets include 2 off 24 litre vessels supplied loose, if larger storage capacity is required then please add accordingly.  
The above prices include relay cards for volt free contacts



**Three pump fixed speed booster sets with e-SV vertical multistage pumps - Series GS#30**

Type	Price	Family Code
GSD30/5SV03F005T/UK	£8,886.00	5B
GSD30/5SV04F005T/UK	£9,077.00	5B
GSD30/5SV05F007T/UK	£9,215.00	5B
GSD30/5SV06F011T/UK	£9,532.00	5B
GSD30/5SV07F011T/UK	£10,794.00	5B
GSD30/5SV08F011T/UK	£11,063.00	5B
GSD30/5SV09F015T/UK	£11,207.00	5B
GSD30/5SV11F015T/UK	£11,444.00	5B
GSD30/5SV13F022T/UK	£11,872.00	5B
GSD30/5SV14F022T/UK	£12,086.00	5B
GSD30/5SV15F022T/UK	£12,300.00	5B
GSD30/5SV16F022T/UK	£12,514.00	5B
GSD30/5SV18F030T/UK	£13,049.00	5B
GSD30/10SV03F011T/UK	£11,075.00	5B
GSD30/10SV04F015T/UK	£11,440.00	5B
GSD30/10SV05F022T/UK	£11,675.00	5B
GSD30/10SV06F022T/UK	£11,777.00	5B
GSD30/10SV07F030T/UK	£12,021.00	5B
GSD30/10SV09F040T/UK	£12,456.00	5B
GSD30/10SV10F040T/UK	£13,082.00	5B
GSD30/15SV03F030T/UK	£11,271.00	5B
GSD30/15SV04F040T/UK	£11,390.00	5B
GSD30/15SV05F040T/UK	£11,724.00	5B
GSD30/15SV06F055T/UK	£13,567.00	5B
GSD30/15SV07F055T/UK	£13,902.00	5B
GSY30/15SV08F075T/UK	£15,408.00	5B
GSY30/15SV09F075T/UK	£15,911.00	5B
GSY30/15SV10F110T/UK	£17,084.00	5B
GSD30/22SV04F40T/UK	£12,956.00	5B
GSD30/22SV05F55T/UK	£13,442.00	5B
GSY30/22SV06F75T/UK	£14,576.00	5B
GSY30/22SV07F75T/UK	£14,899.00	5B
GSY30/22SV08F110T/UK	£16,195.00	5B
GSY30/22SV09F110T/UK	£16,681.00	5B
GSY30/22SV10F110T/UK	£17,005.00	5B
GSD30/33SV1/1AG22T/UK	£14,363.00	5B
GSD30/33SV1G30T/UK	£14,779.00	5B
GSD30/33SV2/2AG40T/UK	£15,648.00	5B
GSD30/33SV2/1AG40T/UK	£15,648.00	5B
GSD30/33SV2G55T/UK	£16,539.00	5B
GSD30/33SV3/2AG55T/UK	£17,127.00	5B
GSY30/33SV3/1AG75T/UK	£17,587.00	5B
GSY30/33SV3G75T/UK	£17,587.00	5B
GSY30/33SV4/2AG75T/UK	£19,011.00	5B
GSY30/33SV4/1AG110T/UK	£19,747.00	5B
GSY30/33SV4G110T/UK	£19,747.00	5B
GSY30/33SV5/2AG110T/UK	£20,513.00	5B
GSY30/33SV5/1AG110T/UK	£20,513.00	5B
GSY30/33SV5G150T/UK	£21,307.00	5B
GSY30/33SV6/2AG150T/UK	£22,254.00	5B
GSY30/33SV6/1AG150T/UK	£22,254.00	5B
GSY30/33SV6G150T/UK	£22,254.00	5B
GSY30/33SV7/2AG150T/UK	£22,814.00	5B

Type	Price	Family Code
GSD30/46SV1/1AG30T/UK	£16,862.00	5B
GSD30/46SV1G40T/UK	£17,327.00	5B
GSD30/46SV2/2AG55T/UK	£18,698.00	5B
GSY30/46SV2G75T/UK	£19,150.00	5B
GSY30/46SV3/2AG110T/UK	£21,435.00	5B
GSY30/46SV3G110T/UK	£21,435.00	5B
GSY30/46SV4/2AG150T/UK	£23,865.00	5B
GSY30/46SV4G150T/UK	£23,865.00	5B
GSY30/46SV5/2AG185T/UK	£25,456.00	5B
GSY30/46SV5G185T/UK	£25,456.00	5B
GSY30/46SV6/2AG220T/UK	£26,813.00	5B
GSY30/46SV6G220T/UK	£26,813.00	5B
GSD30/66SV1/1AG40T/UK	£19,247.00	5B
GSD30/66SV1G55T/UK	£20,185.00	5B
GSY30/66SV2/2AG75T/UK	£21,322.00	5B
GSY30/66SV2/1AG110T/UK	£22,984.00	5B
GSY30/66SV2G110T/UK	£22,984.00	5B
GSY30/66SV3/2AG150T/UK	£25,848.00	5B
GSY30/66SV3/1AG150T/UK	£25,848.00	5B
GSY30/66SV3G185T/UK	£26,305.00	5B
GSY30/66SV4/2AG185T/UK	£27,273.00	5B
GSY30/66SV4/1AG220T/UK	£27,837.00	5B
GSY30/66SV4G220T/UK	£27,837.00	5B
GSY30/66SV5/2AG300T/UK	£33,046.00	5B
GSY30/66SV5/1AG300T/UK	£33,046.00	5B
GSY30/66SV5G300T/UK	£33,046.00	5B
GSD30/92SV1/1AG55T/UK	£22,574.00	5B
GSY30/92SV1G75T/UK	£22,741.00	5B
GSY30/92SV2/2AG110T/UK	£25,075.00	5B
GSY30/92SV2G150T/UK	£27,756.00	5B
GSY30/92SV3/2AG185T/UK	£28,451.00	5B
GSY30/92SV3G220T/UK	£29,017.00	5B
GSY30/92SV4/2AG300T/UK	£34,458.00	5B
GSY30/92SV4G300T/UK	£34,458.00	5B
GSY30/92SV5/2AG370T/UK	£37,307.00	5B



**Please note:**

All of the above sets include 3 off 24 litre vessels supplied loose, if larger storage capacity is required then please add accordingly.

The above prices do include relays for volt free contacts

4 pump sets available, price on application.

## Large Cold Water Packaged Booster Sets

Lowara variable or fixed speed booster sets with break tank incorporating type AB air gap for cold water boosting.

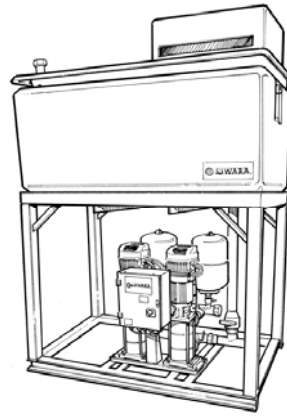
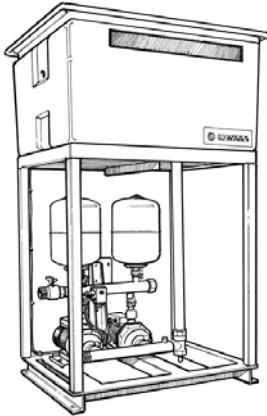
Variable speed sets are with Teknospeed or Hydrovar energy saving variable speed drive.

Pump ranges HM / CEA / CA and e-SV versions available.

GRP break tank in 680 litre, 1000 litre or 1370 litre sizes with optional low level switch.

Flexible pipe connectors available on request.

For specific pump and break tank combinations and prices please contact our sales office.

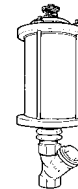


## Booster Set Accessories

Type	Price	Notes
Float switch selector (FS)	£400.00	for booster sets being used with twin compartment break tanks
Minimum pressure switch (PA)	£538.00	mounted on suction manifold & connected to lack of water input

## Combination Surge Arrestor & Air Release Valves

Type	Price	Family Code	Part Number	kg
Lowara 25mm (1") max. riser pipe Ø 200mm	£550.00	9J	UK8600	4.6
RBX 25mm (1") max. riser pipe Ø 200mm	£680.00	9J	UK025RBXB2511	5
RBX 50mm (2") max. riser pipe Ø 400mm	£900.00	9J	UK050RBXB2511	9.5



## Domestic Booster Sets - Series Resvari & Resfix

**Resvari** (variable speed) and **Resfix** (fixed speed) booster sets for domestic dwellings with integral water storage with type AB air gap.

Power supply: 230/1/50

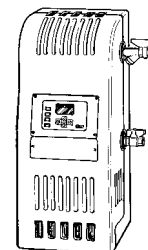
Type	Price	Family Code	Part Number	kg
<b>Resvari</b> (maximum pressure 4.2 bar)	£2,390.00	5C	UKRESVARI10205	55
<b>Resfix</b> (maximum pressure 4.2 bar)	£1,803.00	5C	UKRESFIX10205	55
Assist Unit	£1,154.00	5C	UKRESASSIST180	40



## Lowara Servitec Vacuum Degassing Unit

For degassing of sealed heating and chilled water systems.

Type	Price	Family Code	Part Number	kg
Servitec 30	£4,816.00	5C	UK6830720	16.6



## Rainwater Harvesting

Rainwater Harvesting storage tanks and pumping systems:

### Environmental Reasons

It is now accepted that the climate is changing, one of the results is that water is becoming a scarce and valuable resource.

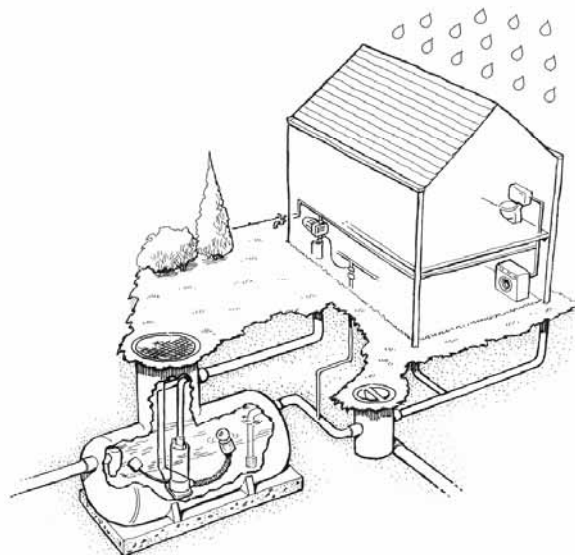
### Economic Reasons

In the last 40 years our consumption of water has grown three fold, this increasing trend is likely to continue.

The price of water will also continue to rise.

### Lowara Product Range

Lowara can offer the complete rainwater harvesting solution from domestic to large commercial systems.



Please contact our sales office for prices.

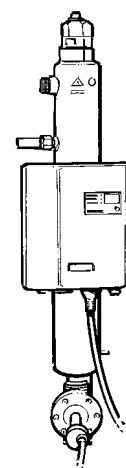
Clean water packaged sets

## Wedeco UV Units - Series Aquada

UV Unit Type	Price	Family Code	Part Number	Flow* (m <sup>3</sup> /h)
<b>Single phase (230/1/50)</b>				
<b>Altima</b>				
Aquada 1	£363.00	6M	UK76403520	1.0
Aquada 2	£423.00	6M	UK76403521	2.5
Aquada 4	£780.00	6M	UK76403522	4.3
Aquada 7	£1,410.00	6M	UK76403523	9.0
Aquada 10	£1,638.00	6M	UK76403524	13.4
<b>Proxima</b>				
Aquada 1	£549.00	6M	UK76403600	1.0
Aquada 2	£632.00	6M	UK76403601	2.5
Aquada 4	£903.00	6M	UK76403602	4.3
Aquada 7	£1,617.00	6M	UK76403603	9.0
Aquada 10	£1,962.00	6M	UK76403604	13.4
<b>Maxima</b>				
Aquada 1	£903.00	6M	UK76403700	1.0
Aquada 2	£980.00	6M	UK76403701	2.5
Aquada 4	£1,226.00	6M	UK76403702	4.3
Aquada 7	£2,006.00	6M	UK76403703	9.0
Aquada 10	£2,340.00	6M	UK76403704	13.4

\* Flow rate based on delivering a 300J/m<sup>2</sup> calculated UV dose at 98% UV Transmission

Aquada options	Price	Family Code	Part Number
Volt Free Contacts (Proxima & Maxima only)	£91.00	6M	UK402102
Solenoid Valve for Aquada 1	£111.00	6M	UK37304
Solenoid Valve for Aquada 2 & 4	£175.00	6M	UK37305
Solenoid Valve for Aquada 7	£313.00	6M	UK37306
Solenoid Valve for Aquada 10	£506.00	6M	UK37308

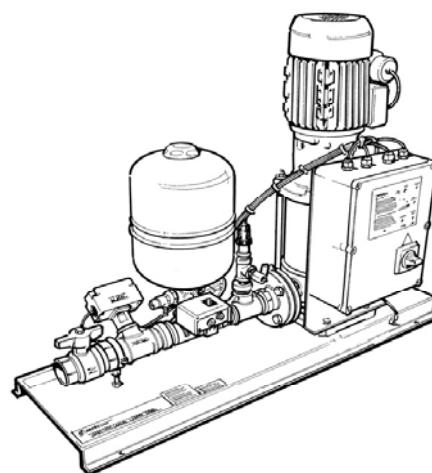
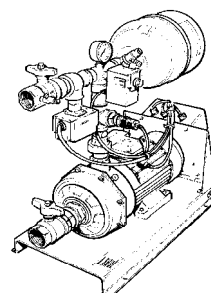


Standard discounts do not apply to Wedeco UV units - please check with sales office.

## Packaged sprinkler sets - Series Hydroquench 3000

PLEASE DO NOT SELECT THESE SETS WITHOUT GUIDANCE FROM OUR SALES OFFICE

Type	Price	Family Code	Part Number
HYDROQUENCH 3000 CEAM120/5 8L	£2,693.00	5C	UKSPK10/CEAM15
HYDROQUENCH 3000 CAM70/33 8L	£2,768.00	5C	UKSPK10/CAM703
HYDROQUENCH 3000 CAM120/33 8L	£2,909.00	5C	UKSPK10/CAM123
HYDROQUENCH 3000 CAM120/35 8L	£3,184.00	5C	UKSPK10/CAM125
HYDROQUENCH 3000 CAM120/55 8L	£3,274.00	5C	UKSPK10/CAM155
HYDROQUENCH 3000 4HM5 8LV	£2,457.00	5C	UKSPK10/4HM5
HYDROQUENCH 3000 4HM7 8LV	£2,548.00	5C	UKSPK10/4HM7
HYDROQUENCH 3000 4HM9 8LV	£2,640.00	5C	UKSPK10/4HM9
HYDROQUENCH 3000 5SV09F015T	£3,820.00	5C	UKSPK10/5SV09T
HYDROQUENCH 3000 10SV03F011M	£3,825.00	5C	UKSPK10/10SV03M
HYDROQUENCH 3000 10SV04F015M	£3,911.00	5C	UKSPK10/10SV04M
HYDROQUENCH 3000 10SV05F022M	£4,002.00	5C	UKSPK10/10SV05M
HYDROQUENCH 3000 10SV05F022T	£4,002.00	5C	UKSPK10/10SV05T
HYDROQUENCH 3000 10SV06F022M	£4,183.00	5C	UKSPK10/10SV06M
HYDROQUENCH 3000 10SV06F022T	£4,183.00	5C	UKSPK10/10SV06T
HYDROQUENCH 3000 10SV07F030T	£4,365.00	5C	UKSPK10/10SV07T
HYDROQUENCH 3000 15SV02F022M	£4,035.00	5C	UKSPK10/15SV02M
HYDROQUENCH 3000 15SV03F030T	£4,095.00	5C	UKSPK10/15SV03T
HYDROQUENCH 3000 15SV04F040T	£4,188.00	5C	UKSPK10/15SV04T
HYDROQUENCH 3000 15SV05F040T	£4,729.00	5C	UKSPK10/15SV05T
HYDROQUENCH 3000 15SV06F055T	£4,944.00	5C	UKSPK10/15SV06T
HYDROQUENCH 3000 22SV02F022M	£4,833.00	5C	UKSPK10/22SV02M
HYDROQUENCH 3000 22SV02F022T	£4,833.00	5C	UKSPK10/22SV02T
HYDROQUENCH 3000 22SV03F030T	£5,016.00	5C	UKSPK10/22SV03T
HYDROQUENCH 3000 22SV04F040T	£5,146.00	5C	UKSPK10/22SV04T
HYDROQUENCH 3000 22SV05F055T	£5,247.00	5C	UKSPK10/22SV05T
HYDROQUENCH 3000 22SV06F075T	£5,667.00	5C	UKSPK10/22SV06T
Solenoid valve body	£47.00	9K	UK032H8016
Solenoid valve coil	£29.00	9K	UK042N0822
Solenoid valve plug	£13.00	9K	UK042N0139



**Please note:**

The three solenoid parts form one complete solenoid valve.

Solenoid valves are for use with Hydroquench units when the Hydroquench is fed from a mains water supply and not a break tank.

This valve is to be connected in the recirculation line and piped to drain.

## Fire fighting booster sets - Series GEN

**Fire Fighting Booster Sets according to EN12845**

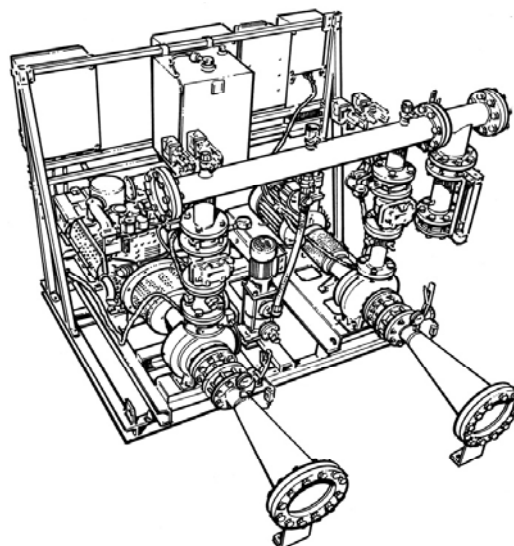
This product line has been specifically designed for fire fighting systems according to the European Standard EN12845 (fixed fire fighting systems - automatic sprinkler systems - design, installation and maintenance). Each fire set is fitted with Lowara pumps.

Versions available:

Fire Fighting Booster Sets with Vertical Multistage Pumps - e-SV Series

Fire Fighting Booster Sets with Horizontal End Suction Pumps - FH / SH Series

Fire Fighting Booster Sets with Electric Pumps and Diesel Engine Pumps - FH / SH Series

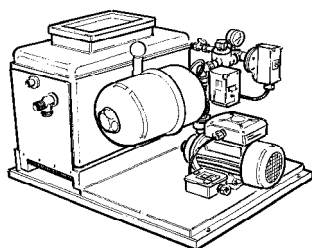


Please contact our sales office for prices.

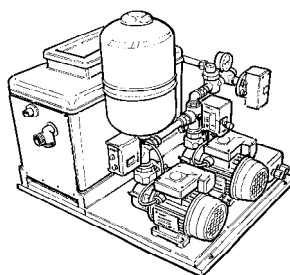
### Pressurisation Sets

Prefix Alpha Open Frame Sets	Price	Family Code	Part Number	kg
Prefix Alpha Single Pump (max F/P 2.8 bar)	£829.00	5C	UKALPHA100HL28	28
Prefix Alpha Twin Pump (max F/P 2.8 bar)	£1,191.00	5C	UKALPHA200HL28	37
Prefix Alpha High Pressure Single Pump (max F/P 5.5 bar)	£854.00	5C	UKALPHA100HL55	29
Prefix Alpha High Pressure Twin Pump (max F/P 5.5 bar)	£1,283.00	5C	UKALPHA200HL55	38
Prefix Alpha Single Pump (max F/P 2.8 bar) <b>without low / high pressure switch</b>	£707.00	5C	UKALPHA100BS28	28
Prefix Alpha Twin Pump (max F/P 2.8 bar) <b>without low / high pressure switch</b>	£1,071.00	5C	UKALPHA200BS28	37
Prefix Alpha High Pressure Single Pump (max F/P 5.5 bar) <b>without low / high pressure switch</b>	£734.00	5C	UKALPHA100BS55	29
Prefix Alpha High Pressure Twin Pump (max F/P 5.5 bar) <b>without low / high pressure switch</b>	£1,162.00	5C	UKALPHA200BS55	38

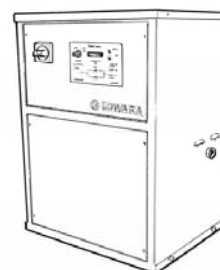
Prefix Beta Mk II Enclosed Microprocessor Sets	Price	Family Code	Part Number	kg
Prefix Beta Mk II Single Pump (max F/P 2.8 bar)	£1,456.00	5C	UKBETA100HL28M3	36
Prefix Beta Mk II Twin Pump (max F/P 2.8 bar)	£1,651.00	5C	UKBETA200HL28M3	61
Prefix Beta Mk II High Pressure Single Pump (max F/P 5.5 bar)	£1,514.00	5C	UKBETA100HL55M3	37
Prefix Beta Mk II High Pressure Twin Pump (max F/P 5.5 bar)	£1,774.00	5C	UKBETA200HL55M3	63



Prefix Alpha (single pump)



Prefix Alpha (twin pump)



Prefix Beta (single or twin pump)

### Expansion Tanks with Fixed Diaphragms

For water up to 70°C. WRAS approved and built to 97/23/EC.



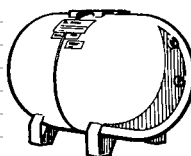
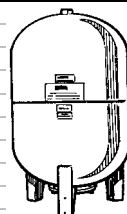
Size	Price	Family Code	Part Number	kg
<b>Vertical (10 bar rated)</b>				
5 LV	£42.00	9N	UK11A0000503	5
8 LV	£47.00	9N	UK11A0000814	5
18 LV	£65.00	9N	UK11A0001801	5
<b>Stainless steel (10 bar rated)</b>				
2 LV	£96.00	9N	UK11B0000200	1
8 LV	£137.00	9N	UK11B0000800	2
24 LV	£284.00	9N	106110660	6
24 LH	£312.00	9N	UK1110002402	10

### Expansion Tanks with Interchangeable Membranes & Stainless Steel Flanges

For water up to 70°C. WRAS approved and built to 97/23/EC.



Size	Price	Family Code	Part Number	kg
<b>Vertical (10 bar rated)</b>				
24 LV	£74.00	9N	UK1100002419	8
60 LV	£209.00	9N	UK1100006043	19
80 LV	£259.00	9N	UK1100008024	21
100 LV	£323.00	9N	UK1100010037	23
200 LV	£537.00	9N	UK1100020039	62
300 LV	£642.00	9N	UK1100030031	65
500 LV	£1,070.00	9N	UK1100050027	97
750 LV	£1,990.00	9N	UK1100075028	222
1000 LV (8 bar maximum working pressure)	£3,280.00	9N	UK1100100026	296
<b>Horizontal (10 bar rated)</b>				
24 LH	£74.00	9N	UK1100002498	8
50 LH	£199.00	9N	UK1100005062	16
60 LH	£209.00	9N	UK1100006044	18
80 LH	£259.00	9N	UK1100008025	21
100 LH	£323.00	9N	UK1100010038	22
200 LH	£537.00	9N	UK1100020040	62
300 LH	£642.00	9N	UK1100030032	79





# Lowara offer the complete package, Pumps and Packaged Pumping Stations for wastewater in Building Services



**We also offer:**  
Booster sets,  
Rainwater Harvesting systems,  
Pressurisation sets, UV,  
Variable speed drives, Fire sets,  
HVAC pumps, Energy Audits, &  
Borehole pumps.

**Lowara UK Limited**  
Millwey Rise Industrial Estate, Axminster, Devon EX13 5HU  
Tel: 01297 630230 Fax: 01297 630270  
Email: [lowaraukenquiries@xyleminc.com](mailto:lowaraukenquiries@xyleminc.com)  
Website: [www.lowara.co.uk](http://www.lowara.co.uk)

**xylem**  
Let's Solve Water





# Submersible pumps & Packaged stations

## SECTION D

## CONTENTS

### SECTION D Submersible pumps & packaged stations

Page	101	DOC Series of submersible pumps
	101	DOC Series of submersible pumps fitted with tube floatswitch
	101	DOC3/A Flood Kit
	101	AquaCharge Series of submersible pumps
	102	DOMO Series of submersible pumps
	102	DOMO Series of submersible pumps fitted with tube floatswitch
	102	DOMO GRI Series of submersible grinder pumps
	103	DIWA Series of submersible pumps
	103	DN Series of submersible pumps
	103	READY Series of submersible pumps
	104	DL/GL, DLV/GLV Series of submersible pumps
	105	Control panels
	106	GLS Series of submersible pumps
	107	GLS Series of submersible pumps accessories
	108	GLS Series of submersible pumps accessories
	109	GLS Series of submersible pumps control panels
	110	GLV Series of submersible pumps (10m cables)
	111	GLV Series of submersible pumps (20m cables)
	112	GLV Series of submersible pumps accessories
	113	GLV Series of submersible pumps accessories
	114	GLV Series of submersible pumps control panels
	115	FDLT Series of submersible pumps
	116	FDLT Series of submersible pumps accessories
	117	FDLT Series of submersible pumps accessories
	118	Flygt connect adaptors
	119	Pre-fabricated lifting stations, Minibox, Micro 4, Micro 6
	120	Pre-fabricated lifting stations, Micro 6+6
	121	Pre-fabricated lifting stations, Micro 10

Product line images in this price list are for illustration purpose only, product may vary.  
Lowara UK reserve the right to make modifications without prior notice.



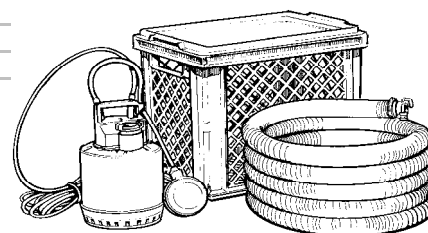
### Submersible pumps - Series DOC

Type	Price	Family Code	Part Number	kW	kg
<b>Single phase (230/1/50) (10 metre cable lead as standard)</b>					
DOC2/A with floatswitch	£279.00	8D	107540000XXXUCM	0.25	4
DOC3/A with floatswitch	£283.00	8D	107540000XXXUA	0.25	4
DOC7/A with floatswitch	£375.00	8D	107540020XXXUA	0.55	6
<hr/>					
DOC7VX/A with floatswitch	£322.00	8D	107540030XXXUA	0.55	6
<hr/>					
DOC2SG/A without floatswitch	£261.00	8D	107540100XXXUCM	0.25	4
DOC3SG/A without floatswitch	£268.00	8D	107540100XXXUA	0.25	4
DOC7SG/A without floatswitch	£351.00	8D	107540120XXXUA	0.55	6
DOC7VXSG/A without floatswitch	£322.00	8D	107540130XXXUA	0.55	6
<hr/>					
<b>Single phase (110/1/50)</b>					
DOC3 with floatswitch	£299.00	8D	107540000YDXXN1	0.25	4
DOC3SG/A without floatswitch	£287.00	8D	107540100YDXXN1	0.25	4
DOC7SG without floatswitch	£401.00	8D	107540120YDXXN1	0.55	6
DOC7VXSG without floatswitch	£456.00	8D	107540130YDXXN1	0.55	6
<hr/>					
<b>Three phase (400/3/50)</b>					
DOC7T/A without floatswitch	£375.00	8D	107540050XXXUJER	0.55	6
DOC7VXT/A without floatswitch	£400.00	8D	107540060XXXUAA	0.55	6
<hr/>					
<b>DOC series submersible pumps with tube floatswitch</b>					
DOC3 GT with tube floatswitch (230/1/50)	£298.00	8D	107540250XXXUA	0.25	4
DOC3 GT with tube floatswitch (110/1/50)	£313.00	8D	107540250YDXXN1	0.25	4
DOC7 GT with tube floatswitch (230/1/50)	£392.00	8D	107540260XXXUA	0.55	6
DOC7VX GT with tube floatswitch (230/1/50)	£337.00	8D	107540270XXXUA	0.55	6
<hr/>					
Low suction collar for DOC series	£56.00	YF	148994100		



### DOC3/A Flood Kit

Type	Price	Family Code	Part Number	kg
DOC3/A Flood Kit	£320.00	8F	109439181	8.3
Additional 6 metre hose and couplings	£45.00	9J	109395390	2

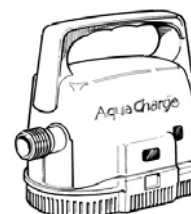


### AquaCharge

Rechargeable portable water pump.

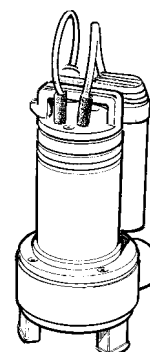
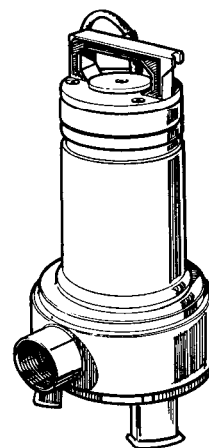
Type	Price	Family Code	Part Number	kg
AquaCharge	£85.00	8D	UKAQ500101	1.63

(c/w submersible pump, 2.45 metres of hose, battery & charging station)



## Submersible pumps - Series DOMO

Type	Price	Family Code	Part Number	kW	kg
<b>Single phase (230/1/50)</b>					
DOMO7/B with st. steel impeller	£505.00	8B	107670300XXXUBS	0.55	10
DOMO7SG/B with st. steel impeller	£505.00	8B	107670340XXXUBS	0.55	10
DOMO7VX/B with st. steel impeller	£505.00	8B	107670320XXXUBS	0.55	10
DOMO7VXSG/B with st. steel impeller	£505.00	8B	107670350XXXUBS	0.55	10
<hr/>					
DOMO10/B	£647.00	8B	107670020XXXUBA	0.75	13.4
DOMO10SG/B	£647.00	8B	107670220XXXUBA	0.75	13.4
DOMO10VX/B	£647.00	8B	107670120XXXUBA	0.75	13.4
DOMO10VXSG/B	£647.00	8B	107670270XXXUBA	0.75	13.4
<hr/>					
DOMO15/B	£747.00	8B	107670030XXXUBA	1.1	15
DOMO15VX/B	£747.00	8B	107670130XXXUBA	1.1	15
DOMO15SG/B	£747.00	8B	107670230XXXUBA	1.1	15
DOMO15VXSG/B	£747.00	8B	107670280XXXUBA	1.1	15
<hr/>					
<b>Three phase (400/3/50)</b>					
DOMO7T/B st. steel impeller	£476.00	8B	107670310XXXUAA	0.55	9
DOMO7VXT/B st. steel impeller	£476.00	8B	107670330XXXUAA	0.55	9
<hr/>					
DOMO10T/B	£659.00	8B	107670070XXXUAA	0.75	11.4
DOMO10VXT/B	£659.00	8B	107670170XXXUAA	0.75	11.4
<hr/>					
DOMO15T/B	£746.00	8B	107670080XXXUAA	1.1	13.4
DOMO15VXT/B	£746.00	8B	107670180XXXUAA	1.1	13.4
<hr/>					
DOMO20T/B	£849.00	8B	107670090	1.5	14
DOMO20VXT/B	£849.00	8B	107670190	1.5	14
<hr/>					
<b>DOMO series submersible pumps with tube floatswitch (230/1/50)</b>					
DOMO7/B GT UK	£528.00	8B	107670430XXXUBA	0.55	10
DOMO10/B GT UK	£677.00	8B	107670410XXXUBA	0.75	13.4
DOMO15/B GT UK	£770.00	8B	107670420XXXUBA	1.1	15
DOMO7VX/B GT UK	£528.00	8B	107670440XXXUBA	0.55	10
DOMO10VX/B GT UK	£677.00	8B	107670460XXXUBA	0.75	13.4
DOMO15VX/B GT UK	£770.00	8B	107670470XXXUBA	1.1	15
<hr/>					
DOMO10/15/20 pedestal kit	£165.00	9B	109395310		
Domo Adaptor Flange (for 2" discharge DOMO pumps)	£61.00	9B	109392310		



**Please note:**

All DOMO pumps are supplied with 10 metres of cable as standard.

All DOMO7 pumps supplied with stainless steel impellers.

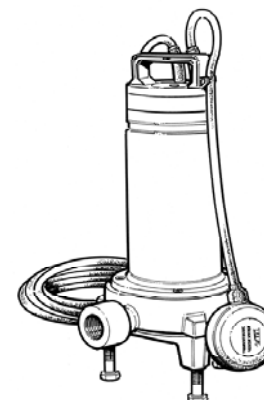
SG pump types are without floatswitches.

GT pump types are with barrel type floatswitches.

All three phase pumps are supplied without floatswitches.

## Submersible grinder pumps - Series DOMO GRI

Type	Price	Family Code	Part Number	kW	kg
<b>Single phase (230/1/50)</b>					
DOMO GRI 11	£671.00	8B	107679011	1.1	19
DOMO GRI 11 SG	£649.00	8B	107679001	1.1	18.8
<hr/>					
<b>Three phase (400/3/50)</b>					
DOMO GRI 11T	£661.00	8B	107679005	1.1	18.3
<hr/>					
Pedestal Kit (includes duckfoot bend, top support bracket and slider)	£166.00	9H	109395320		
90° Bend G1"	£24.00	9B	109395040		
Slider G1"	£49.00	9B	109395020		



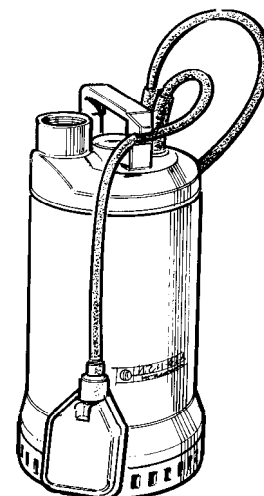
**Please note:**

SG and three phase pump types are without floatswitches.

### Submersible pumps - Series DIWA

Type	Price	Family Code	Part Number	kW	kg
<b>Single phase (230/1/50)</b>					
DIWA 05/B SG without floatswitch	£597.00	8A	107680110XXXUBA	0.55	12
DIWA 07/B SG without floatswitch	£637.00	8A	107680120XXXUBA	0.75	14.3
DIWA 11/B SG without floatswitch	£763.00	8A	107680130XXXUBA	1.1	17
DIWA 05/B with floatswitch	£605.00	8A	107680010XXXUBA	0.55	12
DIWA 07/B with floatswitch	£647.00	8A	107680020XXXUBA	0.75	14
DIWA 11/B with floatswitch	£769.00	8A	107680030XXXUBA	1.1	17
<b>Three phase (400/3/50)</b>					
DIWA 05T/B without floatswitch	£605.00	8A	107680060	0.55	11
DIWA 07T/B without floatswitch	£647.00	8A	107680070	0.75	13
DIWA 11T/B without floatswitch	£769.00	8A	107680080	1.1	15
DIWA 15T/B without floatswitch	£841.00	8A	107680090	1.5	16.5
<b>DIWA series submersible pumps with tube floatswitch (230/1/50)</b>					
DIWA 05/B GT UK with tube floatswitch	£642.00	8A	107680160XXXUEL	0.55	12
DIWA 07/B GT UK with tube floatswitch	£675.00	8A	107680170XXXUEL	0.75	14.3
DIWA 11/B GT UK with tube floatswitch	£809.00	8A	107680180XXXUEL	1.1	17

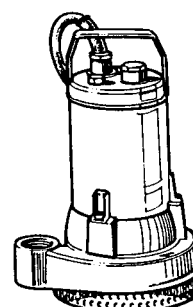
All DIWA are pumps supplied with 10 metres of cable.



### Submersible pumps - Series DN

Type	Price	Family Code	Part Number	kW	kg
<b>Single phase pumps (230/1/50) complete with floatswitch and control box</b>					
DNM110/A CG	£464.00	8E	107550110XXXUBS	0.6	18.5
DNM115/A CG	£490.00	8E	107550120XXXUBS	0.6	18.5
DNM120/A CG	£536.00	8E	107550130XXXUBS	0.75	19.5
<b>Single phase pumps (230/1/50) without floatswitch</b>					
DNM110/A	£454.00	8E	107550010XXXUBS	0.6	18.5
DNM115/A	£479.00	8E	107550020XXXUBS	0.6	18.5
DNM120/A	£526.00	8E	107550030XXXUBS	0.75	19.5
<b>Three phase pumps (400/3/50) without floatswitch</b>					
DN110/A	£449.00	8E	107550060XXXUAA	0.6	18.5
DN115/A	£474.00	8E	107550070XXXUAA	0.6	18.5
DN120/A	£510.00	8E	107550080XXXUAA	0.75	19.5

All DN/DNM pumps are supplied with 10 metres of cable.



### Submersible drainage pumps - Series READY

Type	Price	Family Code	Part Number	kW	kg
READY4/A (115/1/50)	£669.00	8E	FL20042120008	0.42	12
READY4/A (230/1/50)	£669.00	8E	FL20042120009	0.42	12
READY8/A (115/1/50)	£694.00	8E	FL20082120007	0.75	14.5
READY8/A (230/1/50)	£694.00	8E	FL20082120003	0.75	14.5
READY8S (115/1/50)	£1,059.00	8E	FL20082810020	0.9	17
READY8S (230/1/50)	£1,059.00	8E	FL20082810019	0.9	17
Low suction collar for READY series	£93.00	9L	183040000		

All READY pumps are supplied complete with floatswitch and 10 metres of cable.



## Submersible pumps with channel impeller - Series DL / GL

Type	Price	Family Code	Part Number	Power kW	Weight kg	Free Passage mm	DN mm	Refer to notes:
<b>Single phase (230/1/50)</b>								
DLM80/A CG	£737.00	8C	107560210XXXUBS	0.6	19.5	45	50	a
DLM80/A	£727.00	8C	107560010XXXUBA	0.6	19.5	45	50	b
DLM90/A CG	£737.00	8C	107560220XXXUBS	0.6	20.5	45	50	a
DLM90/A	£727.00	8C	107560020XXXUBS	0.6	20.5	45	50	b
GLM55/A CG	£783.00	8C	107560400XXXUCL	1.1	28	50	50	a
GLM55/A	£775.00	8C	107560400XXXZAV	1.1	28	50	50	b
DLM109/A CG	£875.00	8C	107560230XXXUBS	1.1	27	50	50	a
DLM109/A	£869.00	8C	107560040XXXUBS	1.1	27	50	50	b
<b>Three phase (400/3/50)</b>								
DL80/A	£672.00	8C	107560060XXXUAA	0.6	19.5	45	50	c
DL90/A	£672.00	8C	107560070XXXUAA	0.6	19.5	45	50	c
DL105/A	£683.00	8C	107560080XXXUAA	1.1	21	45	50	c
GL55/A	£723.00	8C	107560420	1.1	27	50	50	c
GL56/A	£907.00	8C	107560430	1.5	30	50	50	c
DL109/A	£808.00	8C	107560090XXXUAA	1.1	27	50	50	c
DL125/A	£974.00	8C	107560100XXXUAA	1.5	27	50	50	c

## Submersible pumps with vortex impeller - Series DLV / GLV

Type	Price	Family Code	Part Number	Power kW	Weight kg	Free Passage mm	DN mm	Refer to notes:
<b>Single phase (230/1/50)</b>								
MINI VX M/A CG	£783.00	8C	107560240XXXUBS	0.6	19.5	45	50	a
MINI VX M/A	£775.00	8C	107560110XXXPAF	0.6	19	45	50	b
GLVM55/A CG	£783.00	8C	107560450XXXZCC	1.1	27	50	50	a
GLVM55/A	£775.00	8C	107560450XXXZAV	1.1	27	50	50	b
DVLM100/A CG	£875.00	8C	107560250XXXUBS	1.1	27	50	50	a
DVLM100/A	£869.00	8C	107560120XXXUBS	1.1	27	50	50	b
<b>Three phase (400/3/50)</b>								
DL VORTEX/A	£683.00	8C	107560140XXXPBM	1.1	27	45	50	c
GLV55/A	£723.00	8C	107560470	1.1	27	50	50	c
GLV56/A	£907.00	8C	107560480	1.5	30	50	50	c
DLV100/A	£805.00	8C	107560150XXXUAA	1.1	27	50	50	c
DLV115/A	£974.00	8C	107560160XXXUAA	1.5	27	50	50	c

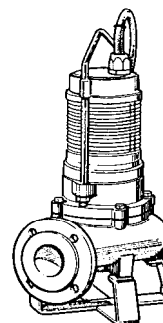
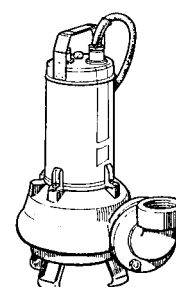
Free standing version (DL) or pump only for guide rail / flange connection (DLF) available, please specify on order.

Please note that pedestal kits for fixed installation must be added (please order separately):

Type	Price	Family Code	Part Number
DS2 pedestal kit (50mm)	£167.00	9B	109395330
DL/GL 2" Discharge Elbow (already included with DL109, DL125, DLV100 and DLV115)	£42.00	9B	109390370
DS2 Slider	£56.00	ZB	109395300
DS2 O Ring	£3.00	9H	002221305
DS2 Gasket	£3.00	9H	168060620

### Notes:

- a. Unit fitted with floatswitch, control box & 10 metres of cable to control box then an extra 1.5 metres
- b. Unit without floatswitch, supplied with control box and 10 metres of cable to control box then an extra 1.5 metres
- c. Unit fitted with 10 metres of cable



## Control Panels

### QDRM SERIES

Single phase electric panel

Applications: protection and control of single phase drainage pumps.  
For use with pumps equipped with a capacitor incorporated.



Type	Price	Family Code	Part Number	kW	Current (A)	Dimensions	kg
QDRM/02	£333.00	1M	108567000	0.25	1.0-1.6	235x265x150	6
QDRM/03	£333.00	1M	108567100	0.37	1.6-2.5	235x265x150	6
QDRM/05	£333.00	1M	108567200	0.55	2.5-4.0	235x265x150	6
QDRM/07	£333.00	1M	108567300	0.75	4.0-6.3	235x265x150	6
QDRM/15	£338.00	1M	108567500	1.1/1.5	6.3-10	235x265x150	6
QDRM/22	£397.00	1M	108567600	2.2	10-16	235x265x150	6

### QDR SERIES

Three phase electric panel

Applications: protection and control of three phase drainage pumps

Type	Price	Family Code	Part Number	kW	Current (A)	Dimensions	kg
QDR/03	£396.00	1M	108568600	0.37	0.6-1.0	235x265x150	6
QDR/05	£396.00	1M	108568700	0.55	1.0-1.6	235x265x150	6
QDR/07	£396.00	1M	108568800	0.75	1.6-2.5	235x265x150	6
QDR/15	£396.00	1M	108569000	1.1/1.5	2.5-4.0	235x265x150	6
QDR/22	£396.00	1M	108569100	2.2	4.0-6.3	235x265x150	6
QDR/40	£396.00	1M	108569300	4	6.3-10	235x265x150	6
QDR/75	£414.00	1M	108569500	5.5	10-16	235x265x150	6

### QDRM2 SERIES

Single phase electric panel

Applications: protection and control of two drainage pumps

Type	Price	Family Code	Part Number	kW	Current (A)	Dimensions	kg
QDRM2/02	£679.00	1M	108534100	0.25	1.0-1.6	260x380x150	10
QDRM2/03	£679.00	1M	108534200	0.37	1.6-2.5	260x380x150	10
QDRM2/05	£679.00	1M	108534300	0.55	2.5-4.0	260x380x150	10
QDRM2/07	£679.00	1M	108534400	0.75	4.0-6.3	260x380x150	10
QDRM2/15	£718.00	1M	108534600	1.1/1.5	6.3-10	260x380x150	10
QDRM2/22	£766.00	1M	108534700	2.2	10-16	260x380x150	10



### QDR2 SERIES

Three phase electric panel

Applications: protection and control of two drainage pumps

Type	Price	Family Code	Part Number	kW	Current (A)	Dimensions	kg
QDR2/03	£679.00	1M	108531000	0.37	0.6-1.0	260x380x150	10
QDR2/05	£679.00	1M	108531100	0.55	1.0-1.6	260x380x150	10
QDR2/07	£679.00	1M	108531200	0.75	1.6-2.5	260x380x150	10
QDR2/15	£679.00	1M	108531400	1.1/1.5	2.5-4.0	260x380x150	10
QDR2/22	£679.00	1M	108531500	2.2	4.0-6.3	260x380x150	10
QDR2/40	£718.00	1M	108531700	4	6.3-10	260x380x150	10
QDR2/75	£745.00	1M	108531900	7.5	10-16	260x380x150	10
QDR2/92	£893.00	1M	108532000	9.2	16-20	300x400x180	10
QDR2/110	£913.00	1M	108532100	11	20-25	300x400x180	10

Optional accessories:-

Remote Beacon (12v DC) light & sound (Intermittent or continuous)	£84.00	9H	002848104
Remote Beacon (light only)	£68.00	1M	FL06406842
Cage for beacon	£89.00	1M	FL06406844

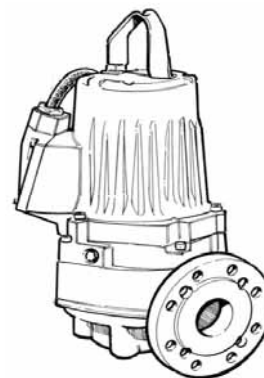
## Submersible pumps - Series GLS

Submersible pump for pumping clean water, surface water and wastewater containing solids or long-fibred material.

Liquid temperature: +40°C  
 Immersion depth: 20 metres  
 Enclosure class: IP 68  
 Insulation class: Class H (180°C)  
 Voltage variation: Continuous running: max ±5%.  
 Intermittent running: max ±10%.

Mechanical seals: Double seal:  
 • Tungsten Carbide/Ceramic on pump side  
 • Carbon/Ceramic on motor side, with interposed oil chamber

Notes:  
 • Direct-on-line start: SUBCAB@ 4G1,5+2x1,5.  
 • Y/D start: SUBCAB@ 7G2,5+2x1,5.  
 220V and 240V for single-phase version on request



Type	Price	Family Code	Part Number	Voltage V	Starting	P1 kW	P2 kW	Port DN	Weight kg
<b>complete with 10 metres of power cable</b>									
GLS 50-15-251-S	£915.00	8I	FL82111800068	1 x 230	DOL	2	1.5	50	35
GLS 50-15-251-P	£915.00	8I	FL82111800061	1 x 230	DOL	2	1.5	50	35
GLS 50-16-253-S	£935.00	8I	FL82111800027	3 x 400	DOL	1.9	1.6	50	35
GLS 50-16-253-P	£935.00	8I	FL82111800024	3 x 400	DOL	1.9	1.6	50	35
GLS 50-20-253-S	£983.00	8I	FL82111800026	3 x 400	DOL	2.4	2	50	35
GLS 50-20-253-P	£983.00	8I	FL82111800023	3 x 400	DOL	2.4	2	50	35
GLS 50-24-253-S	£1,019.00	8I	FL82111800025	3 x 400	DOL	3.2	2.4	50	35
GLS 50-24-253-P	£1,019.00	8I	FL82111800022	3 x 400	DOL	3.2	2.4	50	35
GLS 65-15-251	£1,057.00	8I	FL82111800060	1 x 230	DOL	2	1.5	65	40
GLS 65-16-253	£1,057.00	8I	FL82111800021	3 x 400	DOL	1.9	1.6	65	40
GLS 65-20-253	£1,092.00	8I	FL82111800020	3 x 400	DOL	2.4	2	65	40
GLS 65-24-253	£1,276.00	8I	FL82111800019	3 x 400	DOL	3.2	2.4	65	40
<b>complete with 20 metres of power cable</b>									
GLS 50-15-251-S-2 230-20m	£961.00	8I	FL82111800208	1 x 230	DOL	2	1.5	50	35
GLS 50-15-251-P-2 230-20m	£961.00	8I	FL82111800201	1 x 230	DOL	2	1.5	50	35
GLS 50-16-253-S-2 400-20m	£982.00	8I	FL82111800167	3 x 400	DOL	1.9	1.6	50	35
GLS 50-16-253-P-2 400-20m	£982.00	8I	FL82111800164	3 x 400	DOL	1.9	1.6	50	35
GLS 50-20-253-S-2 400-20m	£1,033.00	8I	FL82111800166	3 x 400	DOL	2.4	2	50	35
GLS 50-20-253-P-2 400-20m	£1,033.00	8I	FL82111800163	3 x 400	DOL	2.4	2	50	35
GLS 50-24-253-S-2 400-20m	£1,071.00	8I	FL82111800165	3 x 400	DOL	3.2	2.4	50	35
GLS 50-24-253-P-2 400-20m	£1,071.00	8I	FL82111800162	3 x 400	DOL	3.2	2.4	50	35
GLS 65-15-251-2 230-20m	£1,111.00	8I	FL82111800200	1 x 230	DOL	2	1.5	65	40
GLS 65-16-253-2 400-20m	£1,111.00	8I	FL82111800161	3 x 400	DOL	1.9	1.6	65	40
GLS 65-20-253-2 400-20m	£1,147.00	8I	FL82111800160	3 x 400	DOL	2.4	2	65	40
GLS 65-24-253-2 400-20m	£1,339.00	8I	FL82111800159	3 x 400	DOL	3.2	2.4	65	40

**Please note:**

Free standing kit / pedestal kit sold separately, see pages 107/108

For discharge connections see page 107

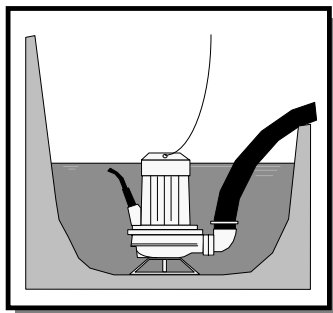
For control panels see page 109

Longer power cable lengths available on request.

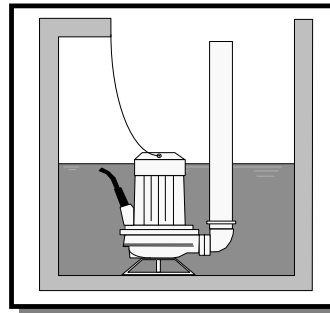
## Accessories for pump series GLS

### Free submerged installation

Free submerged installation with support feet and hose adaptor.



Free submerged installation with support feet and threaded bend.



Pump type	Support feet	90° elbow with hose connector	90° elbow threaded	Notes
GLS 50-15-251-S	integrated	-	-	Version "-S" DN 50 with integrated support feet and vertical delivery port (ISO-G2)
GLS 50-16-253-S	integrated	-	-	
GLS 50-20-253-S	integrated	-	-	
GLS 50-24-253-S	integrated	-	-	
GLS 65-15-251	integrated	FL7481900	FL7482000	Version DN 65 with integrated support feet and horizontal delivery port
GLS 65-16-253	integrated	FL7481900	FL7482000	
GLS 65-20-253	integrated	FL7481900	FL7482000	
GLS 65-24-253	integrated	FL7481900	FL7482000	

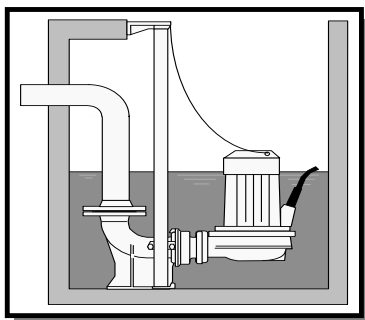
Type	Model	Price	Family Code	Part Number
Support feet	ST65/80/100	<b>£128.00</b>	9J	FL7482200
90° elbow with hose connector	EL65	<b>£140.00</b>	9J	FL7481920
90° elbow threaded	TEL65	<b>£140.00</b>	9J	FL7482020

Submersible pumps & stations

## Accessories for pump series GLS

### Fixed submerged installation

Fixed submerged installation with coupling foot and guide rails.



Pump type	Base plate	Upper guide rail holder		Kit guideclaw	Fixing kit
		stainless steel	galvanized		
GLS 50-15-251-P	FL4865500	FL6700500	-	integrated	FL841487
GLS 50-16-253-P	FL4865500	FL6700500	-	integrated	FL841487
GLS 50-20-253-P	FL4865500	FL6700500	-	integrated	FL841487
GLS 50-24-253-P	FL4865500	FL6700500	-	integrated	FL841487
GLS 65-15-251	FL4931706	FL6700502	FL6700501	FL7481800	FL841488
GLS 65-16-253	FL4931706	FL6700502	FL6700501	FL7481800	FL841488
GLS 65-20-253	FL4931706	FL6700502	FL6700501	FL7481800	FL841488
GLS 65-24-253	FL4931706	FL6700502	FL6700501	FL7481800	FL841488

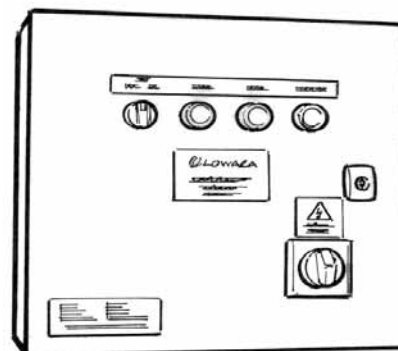
Type	Model	Price	Family Code	Part Number	Notes
Pedestal Kit	DN50	<b>£142.00</b>	9J	FL4865500KT	(Base+UGRH)
	DN65	<b>£295.00</b>	9J	FL4931706KT	(Bse+claw+UGRH)
	DN80	<b>£350.00</b>	9J	FL4446807KT	(Bse+claw+UGRH)
	DN100	<b>£385.00</b>	9J	FL5401301KT	(Bse+claw+UGRH)
Fixing kit (raw bolt / nut / washer)	FK50	<b>£83.00</b>	9J	FL841487	
	FK65/80/100	<b>£99.00</b>	9J	FL841488	



## Control panels for pump series GLS

A range of single and three phase control panels for the automatic or manual control of one or two pumps with level control via level regulators or floatswitches (not included).

Door interlocked main isolator  
 Hand-Off/Reset-Run selector for each pump  
 Pump Running Indicator for each pump  
 Pump Tripped Indicator for each pump  
 High Level Alarm Indicator  
 Duty / Assist operation for dual pump panels  
 Terminals for connection of an alarm remote beacon  
 Combined overload and short circuit protection  
 Motor over-temperature protection for each pump  
 Non simultaneous starting for dual pump panels  
 Volt free contact for a common pump failed alarm  
 230 volt single phase or 400 volt three phase  
 D.O.L. starting  
 IP54

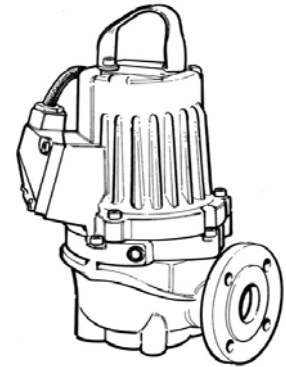


Pump Type	Panel for 1 pump			Panel for 2 pumps		
	Price	Family Code	Part Number	Price	Family Code	Part Number
GLS 50-15-251-S	£609.00	1M	FL06507039A	£1,039.00	1M	FL06507051A
GLS 50-15-251-P	£609.00	1M	FL06507039A	£1,039.00	1M	FL06507051A
GLS 50-16-253-S	£511.00	1M	FL06507056	£841.00	1M	FL06507062
GLS 50-16-253-P	£511.00	1M	FL06507056	£841.00	1M	FL06507062
GLS 50-20-253-S	£511.00	1M	FL06507057	£841.00	1M	FL06507063
GLS 50-20-253-P	£511.00	1M	FL06507057	£841.00	1M	FL06507063
GLS 50-24-253-S	£511.00	1M	FL06507057	£841.00	1M	FL06507063
GLS 50-24-253-P	£511.00	1M	FL06507057	£841.00	1M	FL06507063
GLS 65-15-251	£609.00	1M	FL06507039A	£1,039.00	1M	FL06507051A
GLS 65-16-253	£511.00	1M	FL06507056	£841.00	1M	FL06507062
GLS 65-20-253	£511.00	1M	FL06507057	£841.00	1M	FL06507063
GLS 65-24-253	£511.00	1M	FL06507057	£841.00	1M	FL06507063
GLS 65-32-253 **	£511.00	1M	FL06507058	£841.00	1M	FL06507064
GLS 65-42-253 **	£511.00	1M	FL06507058	£841.00	1M	FL06507064
GLS 80-32-253 **	£511.00	1M	FL06507058	£841.00	1M	FL06507064
GLS 80-42-253 **	£511.00	1M	FL06507058	£841.00	1M	FL06507064
GLS 80-59-253 **	£511.00	1M	FL06507059	£841.00	1M	FL06507065
GLS 80-74-253 **	£783.00	1M	FL06506855	£1,271.00	1M	FL06506859
GLS 100-24-453	£511.00	1M	FL06507057	£841.00	1M	FL06507063
GLS 100-31-453 **	£511.00	1M	FL06507058	£841.00	1M	FL06507064
GLS 100-45-453 **	£511.00	1M	FL06507059	£841.00	1M	FL06507065
GLS 100-59-453 **	£511.00	1M	FL06507059	£841.00	1M	FL06507065

\*\* Please note: Star / Delta panels available on request

## Submersible pumps - Series GLV (10m cable)

Submersible pump for pumping clean water, surface water and wastewater containing solids or long-fibred material. The vortex impeller is the best choice in low volume, high head applications and in media which contains sand and other abrasive solids.



Liquid temperature:	+40°C
Immersion depth:	20 metres
Enclosure class:	IP 68
Insulation class:	Class H (180°C)
Voltage variation:	Continuous running: max ±5%. Intermittent running: max ±10%.
Mechanical seals:	Double seal: <ul style="list-style-type: none"> <li>• Tungsten Carbide/Ceramic on pump side</li> <li>• Carbon/Ceramic on motor side, with interposed oil chamber</li> </ul>
Notes:	Cable (10 m standard version): <ul style="list-style-type: none"> <li>• Direct-on-line start: SUBCAB® 4G1,5+2x1,5.</li> <li>• Y/D start: SUBCAB® 7G2,5+2x1,5.</li> </ul> 220V and 240V for single-phase version on request

Type	Price	Family Code	Part Number	Voltage V	Starting	P1 kW	P2 kW	Port DN	Weight kg
GLV 50-12-251-S	£797.00	8I	FL82111800070	1 x 230	DOL	1.5	1.2	50	35
GLV 50-12-251-P	£797.00	8I	FL82111800064	1 x 230	DOL	1.5	1.2	50	35
GLV 50-15-251-S	£915.00	8I	FL82111800069	1 x 230	DOL	2	1.5	50	35
GLV 50-15-251-P	£915.00	8I	FL82111800063	1 x 230	DOL	2	1.5	50	35
GLV 50-16-253-S	£935.00	8I	FL82111800036	3 x 400	DOL	1.9	1.6	50	35
GLV 50-16-253-P	£935.00	8I	FL82111800033	3 x 400	DOL	1.9	1.6	50	35
GLV 50-20-253-S	£983.00	8I	FL82111800035	3 x 400	DOL	2.6	2	50	35
GLV 50-20-253-P	£983.00	8I	FL82111800032	3 x 400	DOL	2.6	2	50	35
GLV 50-24-253-S	£1,003.00	8I	FL82111800034	3 x 400	DOL	3.2	2.4	50	35
GLV 50-24-253-P	£1,003.00	8I	FL82111800031	3 x 400	DOL	3.2	2.4	50	35
GLV 65-15-251	£1,057.00	8I	FL82111800062	1 x 230	DOL	2	1.5	65	40
GLV 65-15-253	£1,057.00	8I	FL82111800030	3 x 400	DOL	2	1.6	65	40
GLV 65-20-253	£1,092.00	8I	FL82111800029	3 x 400	DOL	2.5	2	65	40
GLV 65-24-253	£1,276.00	8I	FL82111800028	3 x 400	DOL	3.2	2.4	65	40
GLV 65-32-253	£1,533.00	8I	FL82121800026	3x400/690	Y/D	3.8	3.2	65	50
GLV 65-42-253	£1,731.00	8I	FL82121800025	3x400/690	Y/D	5.3	4.2	65	50
GLV 80-32-253	£1,911.00	8I	FL82121800002	3x400/690	Y/D	3.8	3.2	80	50
GLV 80-42-253	£2,383.00	8I	FL82121800001	3x400/690	Y/D	5.3	4.2	80	50
GLV 80-59-253	£2,682.00	8I	FL82131800008	3x400/690	Y/D	6.9	5.9	80	110
GLV 80-74-253	£4,071.00	8I	FL82131800007	3x400/690	Y/D	8.7	7.4	80	110
GLV 100-24-453	£1,987.00	8I	FL82121800006	3x400/690	Y/D	2.8	2.4	100	55
GLV 100-31-453	£2,184.00	8I	FL82121800005	3x400/690	Y/D	3.7	3.1	100	55
GLV 100-45-453	£2,582.00	8I	FL82131800002	3x400/690	Y/D	5.3	4.5	100	125
GLV 100-59-453	£2,979.00	8I	FL82131800001	3x400/690	Y/D	7	5.9	100	125

**Please note:**

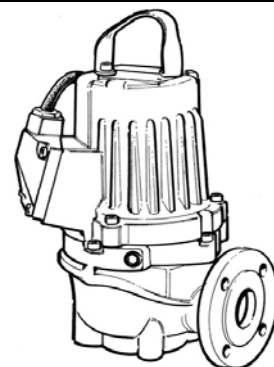
Free standing kit / pedestal kit sold separately, see pages 112/113

For discharge connections see page 112

For control panels see page 114

## Submersible pumps - Series GLV (20m cable)

Submersible pump for pumping clean water, surface water and wastewater containing solids or long-fibred material. The vortex impeller is the best choice in low volume, high head applications and in media which contains sand and other abrasive solids.



Liquid temperature: +40°C  
 Immersion depth: 20 metres  
 Enclosure class: IP 68  
 Insulation class: Class H (180°C)  
 Voltage variation: Continuous running: max ±5%.  
 Intermittent running: max ±10%.

Mechanical seals: Double seal:  
 • Tungsten Carbide/Ceramic on pump side  
 • Carbon/Ceramic on motor side, with interposed oil chamber

Notes:  
 • Direct-on-line start: SUBCAB® 4G1,5+2x1,5.  
 • Y/D start: SUBCAB® 7G2,5+2x1,5.  
 220V and 240V for single-phase version on request

Type	Price	Family Code	Part Number	Voltage V	Starting	P1 kW	P2 kW	Port DN	Weight kg
GLV 50-12-251-S-2 230-20m	£837.00	8I	FL82111800210	1 x 230	DOL	1.5	1.2	50	35
GLV 50-12-251-P-2 230-20m	£837.00	8I	FL82111800204	1 x 230	DOL	1.5	1.2	50	35
GLV 50-15-251-S-2 230-20m	£961.00	8I	FL82111800209	1 x 230	DOL	2	1.5	50	35
GLV 50-15-251-P-2 230-20m	£961.00	8I	FL82111800203	1 x 230	DOL	2	1.5	50	35
GLV 50-16-253-S-2 400-20m	£982.00	8I	FL82111800176	3 x 400	DOL	1.9	1.6	50	35
GLV 50-16-253-P-2 400-20m	£982.00	8I	FL82111800173	3 x 400	DOL	1.9	1.6	50	35
GLV 50-20-253-S-2 400-20m	£1,033.00	8I	FL82111800175	3 x 400	DOL	2.6	2	50	35
GLV 50-20-253-P-2 400-20m	£1,033.00	8I	FL82111800172	3 x 400	DOL	2.6	2	50	35
GLV 50-24-253-S-2 400-20m	£1,053.00	8I	FL82111800174	3 x 400	DOL	3.2	2.4	50	35
GLV 50-24-253-P-2 400-20m	£1,053.00	8I	FL82111800171	3 x 400	DOL	3.2	2.4	50	35
GLV 65-15-251-2 230-20m	£1,111.00	8I	FL82111800202	1 x 230	DOL	2	1.5	65	40
GLV 65-15-253-2 400-20m	£1,111.00	8I	FL82111800170	3 x 400	DOL	2	1.6	65	40
GLV 65-20-253-2 400-20m	£1,147.00	8I	FL82111800169	3 x 400	DOL	2.5	2	65	40
GLV 65-24-253-2 400-20m	£1,339.00	8I	FL82111800168	3 x 400	DOL	3.2	2.4	65	40
GLV 65-32-253-2 400-20m	£1,610.00	8I	FL82121800086	3x400/690	Y/D	3.8	3.2	65	50
GLV 65-42-253-2 400-20m	£1,817.00	8I	FL82121800085	3x400/690	Y/D	5.3	4.2	65	50
GLV 80-32-253-2 400-20m	£2,007.00	8I	FL82121800092	3x400/690	Y/D	3.8	3.2	80	50
GLV 80-42-253-2 400-20m	£2,502.00	8I	FL82121800091	3x400/690	Y/D	5.3	4.2	80	50
GLV 80-59-253-2 400-20m	£2,817.00	8I	FL82131800052	3x400/690	Y/D	6.9	5.9	80	110
GLV 80-74-253-2 400-20m	£4,275.00	8I	FL82131800051	3x400/690	Y/D	8.7	7.4	80	110
GLV 100-24-453-2 400-20m	£2,087.00	8I	FL82121800074	3x400/690	Y/D	2.8	2.4	100	55
GLV 100-31-453-2 400-20m	£2,293.00	8I	FL82121800073	3x400/690	Y/D	3.7	3.1	100	55
GLV 100-45-453-2 400-20m	£2,711.00	8I	FL82131800056	3x400/690	Y/D	5.3	4.5	100	125
GLV 100-59-453-2 400-20m	£3,129.00	8I	FL82131800055	3x400/690	Y/D	7	5.9	100	125

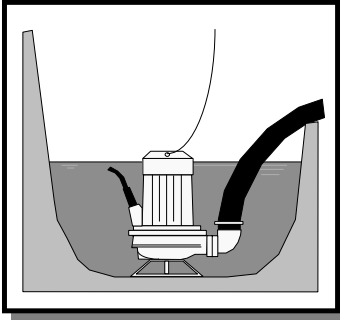
**Please note:**

Free standing kit / pedestal kit sold separately, see pages 112/113  
 For discharge connections see page 112  
 For control panels see page 114  
 Longer power cable lengths available on request.

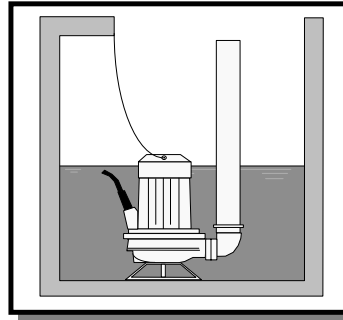
## Accessories for pump series GLV

### Free submerged installation

Free submerged installation with support feet and hose adaptor.



Free submerged installation with support feet and threaded bend.



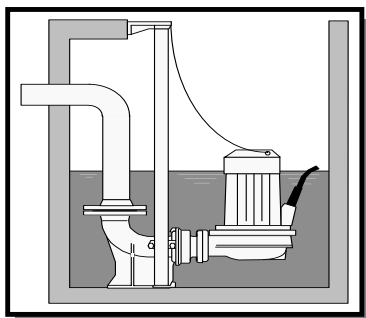
Pump type	Support feet	90° elbow with hose connector	90° elbow threaded	Notes
GLV 50-12-251-S	integrated	-	-	
GLV 50-15-251-S	integrated	-	-	
GLV 50-16-253-S	integrated	-	-	Version "-S" DN 50 with integrated support feet and vertical delivery port (ISO-G2)
GLV 50-20-253-S	integrated	-	-	
GLV 50-24-253-S	integrated	-	-	
GLV 65-15-251	integrated	FL7481900	FL7482000	
GLV 65-15-253	integrated	FL7481900	FL7482000	Version DN 65 with integrated support feet and horizontal delivery port
GLV 65-20-253	integrated	FL7481900	FL7482000	
GLV 65-24-253	integrated	FL7481900	FL7482000	
GLV 65-32-253	FL7482200	FL7481900	FL7482000	
GLV 65-42-253	FL7482200	FL7481900	FL7482000	
GLV 80-32-253	FL7482200	FL7481900	FL7482000	
GLV 80-42-253	FL7482200	FL7481900	FL7482000	
GLV 80-59-253	FL7482200	FL7481900	FL7482000	
GLV 80-74-253	FL7482200	FL7481900	FL7482000	
GLV 100-24-453	FL7482200	FL7481910	FL7482010	
GLV 100-31-453	FL7482200	FL7481910	FL7482010	
GLV 100-45-453	FL7482200	FL7481910	FL7482010	
GLV 100-59-453	FL7482200	FL7481910	FL7482010	

Type	Model	Price	Family Code	Part Number
Support feet	ST65/80/100	<b>£128.00</b>	9J	FL7482200
90° elbow with hose connector	EL65	<b>£140.00</b>	9J	FL7481920
	EL80	<b>£144.00</b>	9J	FL7481900
	EL100	<b>£190.00</b>	9J	FL7481910
90° elbow threaded	TEL65	<b>£140.00</b>	9J	FL7482020
	TEL80	<b>£144.00</b>	9J	FL7482000
	TEL100	<b>£190.00</b>	9J	FL7482010

## Accessories for pump series GLV

### Fixed submerged installation

Fixed submerged installation with coupling foot and guide rails.



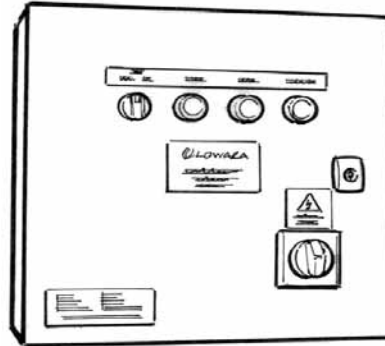
Pump type	Base plate	Upper guide rail holder		Kit guideclaw	Fixing kit
		stainless steel	galvanized		
GLV 50-12-251-P	FL4865500	FL6700500	-	integrated	FL841487
GLV 50-15-251-P	FL4865500	FL6700500	-	integrated	FL841487
GLV 50-16-253-P	FL4865500	FL6700500	-	integrated	FL841487
GLV 50-20-253-P	FL4865500	FL6700500	-	integrated	FL841487
GLV 50-24-253-P	FL4865500	FL6700500	-	integrated	FL841487
GLV 65-15-251	FL4931706	FL6700502	FL6700501	FL7481800	FL841488
GLV 65-15-253	FL4931706	FL6700502	FL6700501	FL7481800	FL841488
GLV 65-20-253	FL4931706	FL6700502	FL6700501	FL7481800	FL841488
GLV 65-24-253	FL4931706	FL6700502	FL6700501	FL7481800	FL841488
GLV 65-32-253	FL4931706	FL6700502	FL6700501	FL7481800	FL841488
GLV 65-42-253	FL4931706	FL6700502	FL6700501	FL7481800	FL841488
GLV 80-32-253	FL4446807	FL6700502	FL6700501	FL7481810	FL841488
GLV 80-42-253	FL4446807	FL6700502	FL6700501	FL7481810	FL841488
GLV 80-59-253	FL4446807	FL6700502	FL6700501	FL7481810	FL841488
GLV 80-74-253	FL4446807	FL6700502	FL6700501	FL7481810	FL841488
GLV 100-24-453	FL5401301	FL6700502	FL6700501	FL7481820	FL841488
GLV 100-31-453	FL5401301	FL6700502	FL6700501	FL7481820	FL841488
GLV 100-45-453	FL5401301	FL6700502	FL6700501	FL7481820	FL841488
GLV 100-59-453	FL5401301	FL6700502	FL6700501	FL7481820	FL841488

Type	Model	Price	Family Code	Part Number	Notes
Pedestal Kit	DN50	<b>£142.00</b>	9J	FL4865500KT	(Base+UGRH)
	DN65	<b>£295.00</b>	9J	FL4931706KT	(Bse+claw+UGRH)
	DN80	<b>£350.00</b>	9J	FL4446807KT	(Bse+claw+UGRH)
	DN100	<b>£385.00</b>	9J	FL5401301KT	(Bse+claw+UGRH)
Fixing kit (raw bolt / nut / washer)	FK50	<b>£83.00</b>	9J	FL841487	
	FK65/80/100	<b>£99.00</b>	9J	FL841488	

## Control panels for pump series GLV

A range of single and three phase control panels for the automatic or manual control of one or two pumps with level control via level regulators or floatswitches (not included).

Door interlocked main isolator  
 Hand-Off/Reset-Run selector for each pump  
 Pump Running Indicator for each pump  
 Pump Tripped Indicator for each pump  
 High Level Alarm Indicator  
 Duty / Assist operation for dual pump panels  
 Terminals for connection of an alarm remote beacon  
 Combined overload and short circuit protection  
 Motor over-temperature protection for each pump  
 Non simultaneous starting for dual pump panels  
 Volt free contact for a common pump failed alarm  
 230 volt single phase or 400 volt three phase  
 D.O.L. starting  
 IP54



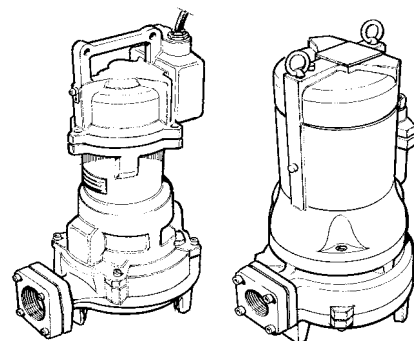
Pump Type	Panel for 1 pump			Panel for 2 pumps		
	Price	Family Code	Part Number	Price	Family Code	Part Number
GLV 50-12-251-S	£609.00	1M	FL06507039A	£1,039.00	1M	FL06507051A
GLV 50-12-251-P	£609.00	1M	FL06507039A	£1,039.00	1M	FL06507051A
GLV 50-15-251-S	£609.00	1M	FL06507039A	£1,039.00	1M	FL06507051A
GLV 50-15-251-P	£609.00	1M	FL06507039A	£1,039.00	1M	FL06507051A
GLV 50-16-253-S	£511.00	1M	FL06507056	£841.00	1M	FL06507062
GLV 50-16-253-P	£511.00	1M	FL06507056	£841.00	1M	FL06507062
GLV 50-20-253-S	£511.00	1M	FL06507057	£841.00	1M	FL06507063
GLV 50-20-253-P	£511.00	1M	FL06507057	£841.00	1M	FL06507063
GLV 50-24-253-S	£511.00	1M	FL06507057	£841.00	1M	FL06507063
GLV 50-24-253-P	£511.00	1M	FL06507057	£841.00	1M	FL06507063
GLV 65-15-251	£609.00	1M	FL06507039A	£1,039.00	1M	FL06507051A
GLV 65-15-253	£511.00	1M	FL06507057	£841.00	1M	FL06507063
GLV 65-20-253	£511.00	1M	FL06507057	£841.00	1M	FL06507063
GLV 65-24-253	£511.00	1M	FL06507057	£841.00	1M	FL06507063
GLV 65-32-253 **	£511.00	1M	FL06507058	£841.00	1M	FL06507064
GLV 65-42-253 **	£511.00	1M	FL06507058	£841.00	1M	FL06507064
GLV 80-32-253 **	£511.00	1M	FL06507058	£841.00	1M	FL06507064
GLV 80-42-253 **	£511.00	1M	FL06507058	£841.00	1M	FL06507064
GLV 80-59-253 **	£511.00	1M	FL06507059	£841.00	1M	FL06507065
GLV 80-74-253 **	£783.00	1M	FL06506855	£1,271.00	1M	FL06506859
GLV 100-24-453 **	£511.00	1M	FL06507057	£841.00	1M	FL06507063
GLV 100-31-453 **	£511.00	1M	FL06507058	£841.00	1M	FL06507064
GLV 100-45-453 **	£511.00	1M	FL06507058	£841.00	1M	FL06507064
GLV 100-59-453 **	£511.00	1M	FL06507059	£841.00	1M	FL06507065

\*\* Please note: Star / Delta panels available on request

## Submersible grinder pumps - Series FDLT

Handling of sewage, liquids, wastewater and industrial sludge, draining of flooded excavations and marshy ground.

Liquid temperature: +40°C  
 Immersion depth: 20 metres  
 Enclosure class: IP 68  
 Insulation class: Class F (155°C)  
 Passes solids: up to 6 mm in diameter



Mechanical seals: Double seal:  
 • Silicon Carbide / Silicon Carbide seal on pump side  
 • Ceramic / Carbon on motor side, with interposed oil chamber

Notes: 10-metre power supply cable with neoprene sheath (H07RN-F).  
 Starter box for the single-phase versions without motor thermal protection.

Type	Price	Family Code	Part Number	Voltage V	Starting	P1 kW	P2 kW	Port DN	Weight kg
FDLT 41-23 0.8kW	£1,026.00	8H	103051020	3x400	DOL	0.8	0.6	40	30
FDLT 41-22 1.1kW	£1,092.00	8H	103051010	3x400	DOL	1.1	0.9	40	30
FDLT 42-23 1.4kW	£1,185.00	8H	103051040	3x400	DOL	1.4	1	40	30
FDLT 41-21 1.5kW	£1,195.00	8H	103051560	3x400	DOL	1.5	1.1	40	40
FDLT 42-22 1.5kW	£1,540.00	8H	103051510	3x400	DOL	1.5	1.2	40	40
FDLT 42-21 2.4kW	£2,009.00	8H	103051511	3x400	DOL	2.4	1.8	40	40
FDLT 43-22 3.2kW	£2,040.00	8H	103051592	3x400	DOL	3.2	2.4	40	52
FDLT 43-21 3.2kW	£2,246.00	8H	103051590	3x400	DOL	3.2	2.7	40	52
FDLT 44-22 4.1kW	£2,380.00	8H	103051690	3x400/690	Y/D	4.1	3.1	40	66
FDLT 44-21 5.0kW	£2,445.00	8H	103051720	3x400/690	Y/D	5	3.6	40	66
FDLT 45-21 5.0kW	£2,545.00	8H	103051740	3x400/690	Y/D	5	4.1	40	66
FDLT 41-41 1.1kW	£958.00	8H	103051030	3x400	DOL	1.1	0.9	40	40

### Single phase model with starter box without floatswitch

FDLMT 41-23SG 1.1kW	£866.00	8H	103051320	1x230	-	1.1	0.9	40	30
FDLMT 42-24SG 1.1kW	£934.00	8H	103051330	1x230	-	1.1	1	40	30
FDLMT 42-23SG 1.2kW	£934.00	8H	TBA	1x230	-	1.2	1	40	30
FDLMT 41-21SG 1.3kW	£1,103.00	8H	103052170	1x230	-	1.3	1.1	40	40
FDLMT 42-22SG 1.4kW	£1,123.00	8H	TBA	1x230	-	1.4	1.1	40	40
FDLMT 42-21SG 2.2kW	£1,123.00	8H	103052190	1x230	-	2.2	1.8	40	40

### Single phase model with starter box and floatswitch

FDLMT 41-23 1.1kW	£958.00	8H	103050980	1x230	-	1.1	1	40	30
FDLMT 42-24 1.1kW	£1,026.00	8H	103051000	1x230	-	1.1	1	40	30
FDLMT 42-23 1.2kW	£1,026.00	8H	103050990	1x230	-	1.2	1	40	30
FDLMT 41-21 1.3kW	£1,195.00	8H	103052020	1x230	-	1.3	1.1	40	40
FDLMT 42-22 1.4kW	£1,216.00	8H	103052030	1x230	-	1.4	1.1	40	40
FDLMT 42-21 2.2kW	£1,216.00	8H	103052040	1x230	-	2.2	1.8	40	40

### Please note:

Free standing kit / pedestal kit sold separately, see page 116

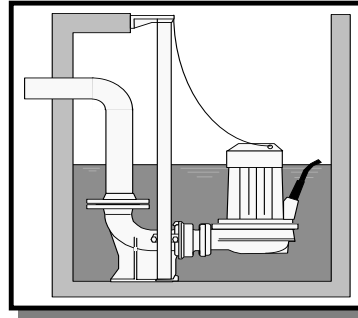
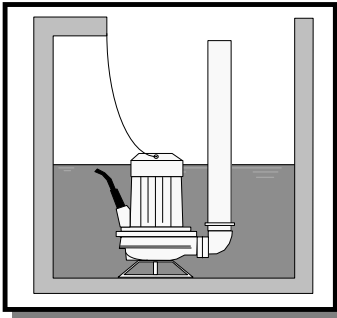
For discharge connections see page 116

For control panels see page 117

## Accessories for pump series FDLT

Free submerged installation with support feet and threaded bend.

Fixed installation with coupling foot and guide rails



Pump type	Support feet	90° elbow threaded	Lowering system
FDLT 41-23 0.8kW	integrated	183050095	109395220-FDLT
FDLT 41-22 1.1kW	integrated	183050095	109395220-FDLT
FDLT 42-23 1.4kW	integrated	183050095	109395220-FDLT
FDLT 41-21 1.5kW	integrated	183050095	109395220-FDLT
FDLT 42-22 1.5kW	integrated	183050095	109395220-FDLT
FDLT 42-21 2.4kW	integrated	183050095	109395220-FDLT
FDLT 43-22 3.2kW	integrated	183050095	109395220-FDLT
FDLT 43-21 3.2kW	integrated	183050095	109395220-FDLT
FDLT 44-22 4.1kW	integrated	183050095	109395220-FDLT
FDLT 44-21 5.0kW	integrated	183050095	109395220-FDLT
FDLT 45-21 5.0kW	integrated	183050095	109395220-FDLT
FDLT 41-41 1.1kW	integrated	183050095	109395220-FDLT
FDLMT 41-23 1.1kW	integrated	183050095	109395220-FDLT
FDLMT 42-24 1.1kW	integrated	183050095	109395220-FDLT
FDLMT 42-23 1.2kW	integrated	183050095	109395220-FDLT
FDLMT 41-21 1.3kW	integrated	183050095	109395220-FDLT
FDLMT 42-22 1.4kW	integrated	183050095	109395220-FDLT
FDLMT 42-21 2.2kW	integrated	183050095	109395220-FDLT

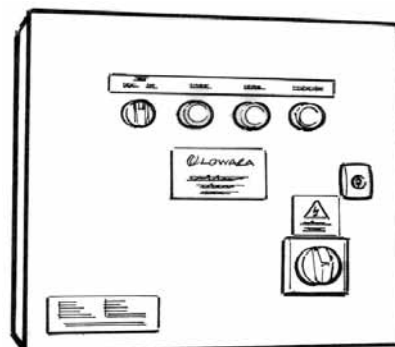
Type	Price	Part Number	Family Code	Notes
Pedestal Kit	<b>£165.00</b>	109395220-FDLT	9L	SD Kit
90° elbow threaded	<b>£99.00</b>	183050095	9L	Bend 2" Female BSP
Counterflange slider for SD kit	<b>£80.00</b>	109395340	9L	
Threaded Counterflange Kit	<b>£45.00</b>	183050390	9L	1.5" Female BSP



## Control panels for pump series FDLT

A range of single and three phase control panels for the automatic or manual control of one or two pumps with level control via level regulators or floatswitches (not included).

- Door interlocked main isolator
- Hand-Off/Reset-Run selector for each pump
- Pump Running Indicator for each pump
- Pump Tripped Indicator for each pump
- High Level Alarm Indicator
- Duty / Assist operation for dual pump panels
- Terminals for connection of an alarm remote beacon
- Combined overload and short circuit protection
- Motor over-temperature protection for each pump
- Non simultaneous starting for dual pump panels
- Volt free contact for a common pump failed alarm
- 230 volt single phase or 400 volt three phase
- D.O.L. starting
- IP54



Pump Type	Panel for 1 pump			Panel for 2 pumps		
	Price	Family Code	Part Number	Price	Family Code	Part Number
FDLT 41-23 0.8kW	£511.00	1M	FL06507056	£841.00	1M	FL06507062
FDLT 41-22 1.1kW	£511.00	1M	FL06507056	£841.00	1M	FL06507062
FDLT 42-23 1.4kW	£511.00	1M	FL06507056	£841.00	1M	FL06507062
FDLT 41-21 1.5kW	£511.00	1M	FL06507056	£841.00	1M	FL06507062
FDLT 42-22 1.5kW	£511.00	1M	FL06507056	£841.00	1M	FL06507062
FDLT 42-21 2.4kW	£511.00	1M	FL06507057	£841.00	1M	FL06507063
FDLT 43-22 3.2kW	£511.00	1M	FL06507058	£841.00	1M	FL06507064
FDLT 43-21 3.2kW	£511.00	1M	FL06507058	£841.00	1M	FL06507064
FDLT 44-22 4.1kW	£511.00	1M	FL06507058	£841.00	1M	FL06507064
FDLT 44-21 5.0kW	£511.00	1M	FL06507059	£841.00	1M	FL06507065
FDLT 45-21 5.0kW	£511.00	1M	FL06507059	£841.00	1M	FL06507065
FDLT 41-41 1.1kW	£511.00	1M	FL06507056	£841.00	1M	FL06507062
FDLMT 41-23SG 1.1kW	£525.00	1M	FL06507038-FDLM	£890.00	1M	FL06507050-FDLM
FDLMT 42-24SG 1.1kW	£525.00	1M	FL06507038-FDLM	£890.00	1M	FL06507050-FDLM
FDLMT 42-23SG 1.2kW	£525.00	1M	FL06507038-FDLM	£890.00	1M	FL06507050-FDLM
FDLMT 41-21SG 1.3kW	£525.00	1M	FL06507038-FDLM	£890.00	1M	FL06507050-FDLM
FDLMT 42-22SG 1.4kW	£525.00	1M	FL06507038-FDLM	£890.00	1M	FL06507050-FDLM
FDLMT 42-21SG 2.2kW	£525.00	1M	FL06507040-FDLM	£890.00	1M	FL06507052-FDLM

\*\* Please note: Star / Delta panels available on request

Submersible pumps & stations

## Flygt Connect Adaptors

Robot design

Model	Price	Outlet	Part Number	Notes
<b>3085 with wedge adaptor</b>				
3085 (MT HT SH)	£146.00	80	FL7509562	80 mm outlet
	£176.00		FL7509571	100mm outlet
Kit for 3085 MT/HT/SH includes the 37° adaptor 761 24 00 to give a straight pump installation				
<b>all other small pumps</b>				
3045 (MT HT)		50		
3057 (MT HT)	£74.00	50	FL7509500	clamps to integral guide claw cast as part of volute
3068 (HT grinder)		50		
3068 (MT HT)	£89.00	65	FL7509510	uses four holes of standard PN16 drilling on Flygt volute
3068 (MT)		80		
3102 (HT SH)	£146.00	80	FL7509520	uses four holes of standard PN16 drilling on Flygt volute
3127 (HT SH)		80		
3085 (LT)		100		
3102 (LT MT)	£176.00	100	FL7509530	uses four holes of standard PN16 drilling on Flygt volute
3127 (MT HT)		100		
<b>larger pumps</b>				
3153 (SH)	£146.00	80	FL7509561	uses four holes of standard PN16 drilling on Flygt volute
3153 (HT SH)	£176.00	100	FL7509570	uses four holes of standard PN16 drilling on Flygt volute
3171 (HT SH)		100		

ABS design

Model	Price	Outlet	Part Number	Notes
<b>3085 with wedge adaptor</b>				
3085 (MT HT SH)	£146.00	80	FL7510115	80 mm outlet
	£176.00		FL7510125	100mm outlet
Kit for 3085 MT/HT/SH includes the 37° adaptor 761 24 00 to give a straight pump installation				
<b>all other pumps</b>				
3068 (MT HT)	£89.00	65	FL7510100	
3068 (MT)		80		
3102 (HT SH)	£146.00	80	FL7510110	uses four holes of standard PN16 drilling on Flygt volute
3127 (HT SH)		80		
3153 (SH)		80		
3085 (LT)		100		
3102 (LT MT)		100		
3127 (MT HT)	£176.00	100	FL7510120	uses four holes of standard PN16 drilling on Flygt volute
3153 (HT SH)		100		
3171 (HT SH)		100		

KSB design - Amarex N type

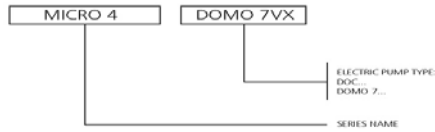
Model	Price	Outlet	Part Number	Notes
<b>3085 with wedge adaptor</b>				
3085 (MT HT SH)	£146.00	80	FL7561215	80 mm pipework
	£176.00		FL7561225	100mm pipework
Kit for 3085 MT/HT/SH includes the 37° adaptor 761 24 00 to give a straight pump installation				
<b>all other pumps</b>				
3068 (MT HT)	£89.00	65	FL7561200	
3068 (MT)		80		
3102 (HT SH)	£146.00	80	FL7561210	uses four holes of standard PN16 drilling on Flygt volute
3127 (HT SH)		80		
3153 (SH)		80		
3085 (LT)		100		
3102 (LT MT)		100		
3127 (MT HT)	£176.00	100	FL7561220	uses four holes of standard PN16 drilling on Flygt volute
3153 (HT SH)		100		
3171 (HT SH)		100		

KSB design - KRT type

Model	Price	Outlet	Part Number	Notes
<b>3085 with wedge adaptor</b>				
3085 (MT HT SH)	£146.00	80	FL7560415	80 mm pipework
	£176.00		FL7560425	100mm pipework
Kit for 3085 MT/HT/SH includes the 37° adaptor 761 24 00 to give a straight pump installation				
<b>all other pumps</b>				
3068 (MT HT)	£89.00	65	FL7560400	uses four holes of standard PN16 drilling on Flygt volute
3068 (MT)		80		
3102 (HT SH)	£146.00	80	FL7560410	uses four holes of standard PN16 drilling on Flygt volute
3127 (HT SH)		80		
3153 (SH)		80		
3085 (LT)		100		
3102 (LT MT)		100	FL5494900	80 mm pipework
3127 (MT HT)	£176.00	100		uses four holes of standard PN16 drilling on Flygt volute
3153 (HT SH)		100	FL7560420	100mm pipework
3171 (HT SH)		100		
3102 (LT)		140		
3153 (MT)	£205.00	140	FL5494901	uses four holes of standard PN16 drilling on Flygt volute
3171 (MT)		140		
3127 (LT MT)		150		
3153 (LT)	£234.00	200	FL5494902	uses four holes of standard PN16 drilling on Flygt volute

## Prefabricated Lifting Stations

### IDENTIFICATION CODE



EXAMPLE : MICRO 4 DOMO 7VX  
Lifting station MICRO 4 series with DOMO 7VX submersible electric pump.

### IDENTIFICATION CODE



EXAMPLE : MICRO 6 DOMO 10VX SL/BV  
Lifting station MICRO 6 series with DOMO 10VX submersible electric pump with sliding device and non-return valve.

Version	Type	Price	Family Code	Part Number	Impeller	kg
Single phase 1 x 220-240v provided with: 1 off pump with floats switch	MINIBOX DOC 3	£601.00	8F	109410200	Channel	19
	MINIBOX DOC 7	£645.00	8F	109410210	Channel	20
	MINIBOX DOC 7VX	£645.00	8F	109410210XXXXNPQ	Vortex	20
	Solid lid for MINIBOX	£33.00	9L	109390800	Vortex	0.88
Single phase 1 x 220-240v provided with 1 off pump with floats switch	MICRO 4 DOC 3/A FP	£536.00	8F	168960110ABXXXX	Channel	13
	MICRO 4 DOC 7/A FP	£567.00	8F	168960110ACXXXX	Channel	15
	MICRO 4 DOC 7VX/A FP	£567.00	8F	168960110ADXXXX	Vortex	15
	MICRO 4 DOMO 7/B FP	£664.00	8F	168960110BFXXXX	Channel	19
	MICRO 4 DOMO 7SG/B FP	£664.00	8F	168960110BHXXXX	Vortex	19
Three phase 3 x 400v provided with: 1 off pump without floats switch 1 off control panel type QDR 1 off float switch with cable length 10 metres	MICRO 4 DOC 7T/A FP	£721.00	8F	168960110AM1JCX	Channel	21
	MICRO 4 DOC 7VXT/A FP	£754.00	8F	168960110AN1JCX	Vortex	21
	MICRO 4 DOMO 7T/B FP	£885.00	8F	168960110BR1JCX	Channel	24
	MICRO 4 DOMO 7VXT/B FP	£885.00	8F	168960110BS1JCX	Vortex	24
Optional accessories:-						
Float Kit (for High Level Alarm) fitted		£69.00		N/A		
Remote Beacon (12v DC) for QRD panel		£84.00		002848104		

## Prefabricated Lifting Stations

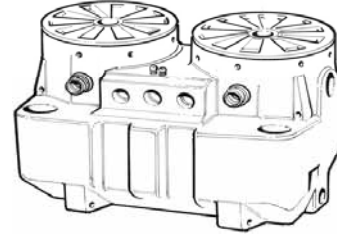
Version	Type	Price	Price	Family Code	Impeller	kg	
Single phase 1 x 220-240v provided with 1 off pump		<b>Option A</b>	<b>Option B</b>				
	MICRO 6 DLFM 80-N/A SL/BV	£1,202.00	£1,552.00	8F	Channel	56	
	MICRO 6 DLFM 90-N/A SL/BV	£1,210.00	£1,560.00	8F	Channel	56	
	MICRO 6 DLM 109-N/A SL/BV	£1,374.00	£1,724.00	8F	Channel	63	
	MICRO 6 MINIVX F-M/AN SL/BV	£1,076.00	£1,426.00	8F	Vortex	63	
	MICRO 6 DLVM 100-N/A SL/BV	£1,374.00	£1,724.00	8F	Vortex	63	
	MICRO 6 DOMO 10/B SL/BV	£983.00	£1,333.00	8F	Channel	50	
	MICRO 6 DOMO 15/B SL/BV	£1,038.00	£1,388.00	8F	Channel	52	
	MICRO 6 DOMO 7VX/B SL/BV	£983.00	£1,333.00	8F	Vortex	50	
	MICRO 6 DOMO 10VX/B SL/BV	£983.00	£1,333.00	8F	Vortex	50	
	MICRO 6 DOMO 15VX/B SL/BV	£1,038.00	£1,388.00	8F	Vortex	52	
	MICRO 6 DOMO GRI 11 SL/BV	£1,060.00	£1,410.00	8F	Grinder	55	
	Optional accessories:-						
	Float Kit (for High Level Alarm) fitted		£69.00		N/A		
Remote Beacon (12v DC) for QRD(2) panel		£84.00		002848104			
Rubber gasket kit (c/w 50/63/110mm)		£40.00		109392780			
Floor mounting kit		£40.00		109392790			
Three phase 3 x 400v provided with: 1 off pump without floats switch 1 off control panel type QDR 1 off float switch with cable length 10 metres	MICRO 6 DLF 80-N/A SL/BV	£1,497.00	8F	109439130CZ1BCX	Channel	61	
	MICRO 6 DLF 90-N/A SL/BV	£1,503.00	8F	109439130DA1BCX	Channel	62	
	MICRO 6 DLF 105-N/A SL/BV	£1,469.00	8F	109439130DB1BCX	Channel	63	
	MICRO 6 DL 109-N/A SL/BV	£1,669.00	8F	109439130DE1BCX	Channel	69	
	MICRO 6 DL 125-N/A SL/BV	£1,778.00	8F	109439130DF1BCX	Channel	69	
	MICRO 6 MINIVX F-T/AN SL/BV	£1,778.00	8F	109439130GQ1BCX	Vortex	69	
	MICRO 6 DLF VORTEX N/A SL/BV	£1,778.00	8F	109439130DM1BCX	Vortex	69	
	MICRO 6 DLV 100-N/A SL/BV	£1,502.00	8F	109439130DP1BCX	Vortex	69	
	MICRO 6 DLV 115-N/A SL/BV	£1,508.00	8F	109439130DQ1BCX	Vortex	69	
	MICRO 6 DOMO 10T/B SL/BV	£1,501.00	8F	109439130BT1BCX	Channel	53	
	MICRO 6 DOMO 15T/B SL/BV	£1,542.00	8F	109439130BV1BCX	Channel	55	
	MICRO 6 DOMO 20T/B SL/BV	£1,573.00	8F	109439130BX1BCX	Channel	56	
	MICRO 6 DOMO 7VXT/B SL/BV	£1,501.00	8F	109439130GR1BCX	Vortex	53	
	MICRO 6 DOMO 10VXT/B SL/BV	£1,501.00	8F	109439130BU1BCX	Vortex	53	
	MICRO 6 DOMO 15VXT/B SL/BV	£1,542.00	8F	109439130BW1BCX	Vortex	55	
	MICRO 6 DOMO 20VXT/B SL/BV	£1,573.00	8F	109439130BY1BCX	Vortex	56	
	MICRO 6 DOMO GRI 11T SL/BV	£1,868.00	8F	109439130CH1BCX	Grinder	60	

## Prefabricated Lifting Stations

### IDENTIFICATION CODE



EXAMPLE : MICRO 6+6 DOMO 10VX SL/BV  
Lifting station MICRO 6+6 series with DOMO 10VX submersible electric pump with sliding device and non-return valve.



Version	Type	Price		Family Code	Impeller	kg
		Option A	Option B			
Single phase 1 x 220-240v provided with 2 off pumps						
	MICRO 6+6 DLFM 80-N/A SL/BV	£2,275.00	£2,675.00	8F	Channel	108
	MICRO 6+6 DLFM 90-N/A SL/BV	£2,285.00	£2,685.00	8F	Channel	109
	MICRO 6+6 DLM 109-N/A SL/BV	£2,448.00	£2,848.00	8F	Channel	123
	MICRO 6+6 MINIVX F-T/AN SL/BV	£2,437.00	£2,837.00	8F	Vortex	123
	MICRO 6+6 DLVM 100-N/A SL/BV	£2,448.00	£2,848.00	8F	Vortex	123
	MICRO 6+6 DOMO 10/B SL/BV	£2,057.00	£2,457.00	8F	Channel	97
	MICRO 6+6 DOMO 15/B SL/BV	£2,635.00	£3,035.00	8F	Channel	100
	MICRO 6+6 DOMO 7VX/B SL/BV	£2,057.00	£2,457.00	8F	Vortex	97
	MICRO 6+6 DOMO 10VX/B SL/BV	£2,057.00	£2,457.00	8F	Vortex	97
	MICRO 6+6 DOMO 15VX/B SL/BV	£2,635.00	£3,035.00	8F	Vortex	100
	MICRO 6+6 DOMO GRI 11 SL/BV	£1,698.00	£2,098.00	8F	Grinder	107

Version	Type	Price	Family Code	Part Number	Impeller	kg
Three phase 3 x 400v provided with: 2 off pumps without floatswitch 1 off control panel type QDR2 4 off float switches with cable length 10 metres						
	MICRO 6+6 DLF 80-N/A SL/BV	£3,003.00	8F	109439160CZ4JDX	Channel	120
	MICRO 6+6 DLF 90-N/A SL/BV	£3,026.00	8F	109439160DA4JDX	Channel	121
	MICRO 6+6 DLF 105-N/A SL/BV	£2,965.00	8F	109439160BD4JDX	Channel	123
	MICRO 6+6 DL 109-N/A SL/BV	£3,165.00	8F	109439160DE4JDX	Channel	135
	MICRO 6+6 DL 125-N/A SL/BV	£3,274.00	8F	109439160DF4JDX	Channel	135
	MICRO 6+6 MINI VORTEX N/A SL/BV	£2,998.00	8F	109439160GQ4JDX	Vortex	135
	MICRO 6+6 DL VORTEX-N/A SL/BV	£2,998.00	8F	109439160DM4JDX	Vortex	135
	MICRO 6+6 DLV 100-N/A SL/BV	£2,998.00	8F	109439160DP4JDX	Vortex	135
	MICRO 6+6 DLV 115-N/A SL/BV	£3,010.00	8F	109439160DQ4JDX	Vortex	135
	MICRO 6+6 DOMO 10T/B SL/BV	£2,971.00	8F	109439160BT4JDX	Channel	104
	MICRO 6+6 DOMO 15T/B SL/BV	£3,544.00	8F	109439160BV4JDX	Channel	108
	MICRO 6+6 DOMO 20T/B SL/BV	£3,757.00	8F	109439160BX4JDX	Channel	110
	MICRO 6+6 DOMO 7VXT/B SL/BV	£2,971.00	8F	109439160GR4JDX	Vortex	104
	MICRO 6+6 DOMO 10VXT/B SL/BV	£2,971.00	8F	109439160BU4JDX	Vortex	104
	MICRO 6+6 DOMO 15VXT/B SL/BV	£3,544.00	8F	109439160BW4JDX	Vortex	108
	MICRO 6+6 DOMO 20VXT/B SL/BV	£3,757.00	8F	109439160BY4JDX	Vortex	110
	MICRO 6+6 DOMO GRI 11T SL/BV	£3,330.00	8F	109439160CH4JDX	Grinder	117

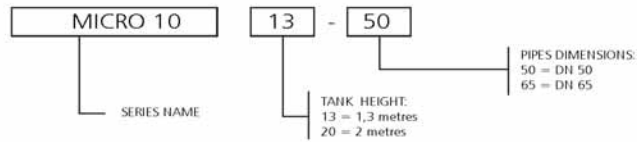
#### Optional accessories:-

Float Kit (for High Level Alarm) fitted	£69.00	N/A
Remote Beacon (12v DC) light & sound (Intermittent or continuous)	£84.00	002848104
Remote Beacon (light only)	£69.00	FL06406842
Cage for beacon	£90.00	FL06406844
Rubber gasket kit (c/w 50/63/110mm)	£40.00	109392780
Floor mounting kit	£40.00	109392790

## Packaged Pumping Stations - Series Micro 10

Micro 10 series of prefabricated stations with optimised benching for domestic and commercial waste according to EN 12050-1.

### IDENTIFICATION CODE



EXAMPLE : MICRO 10 13 - 50  
MICRO 10 series tank, tank height 1,3 metres, pipe dimension DN 50.

Pump Description (Single Pump)				Depth	
Pump	Motor kW	Phase	Discharge Size (mm)	1.3m	2.0m
1 x DOMO 10VX	0.75	1 or 3	50	£2,776	£3,176
1 x DOMO 15VX	1.1	1 or 3	50	£2,873	£3,273
1 x DOMO GRI	1.1	1 or 3	50	£2,780	£3,180
1 x DL(M)109	1.1	1 or 3	50	£2,993	£3,393
1 x FDLT(M) 41-23	0.8	1 or 3	50	£3,048	£3,448
1 x FDLT(M) 42-23	1.2	1 or 3	50	£3,116	£3,516
1 x FDLT(M) 42-22	1.5	1 or 3	50	£3,305	£3,705
1 x FDLT(M) 42-21	2.2	1 or 3	50	£3,305	£3,705
1 x FDLT 43-22	3.2	3	50	£4,222	£4,622
1 x FDLT 44-21	5	3	50	£4,627	£5,027
1 x GLV/GLS 65-15-251	1.5	1 or 3	65	N/A	£3,495
1 x GLV/GLS 65-20-253	2	3	65	N/A	£3,529
1 x GLV/GLS 65-24-253	2.4	3	65	N/A	£3,708

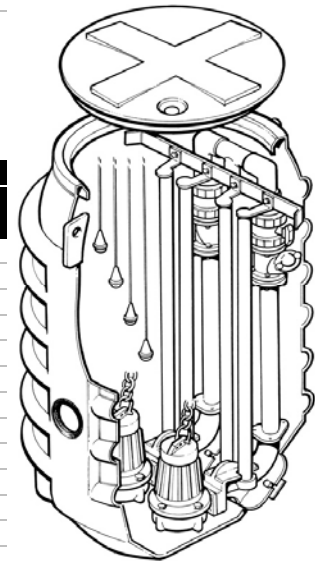
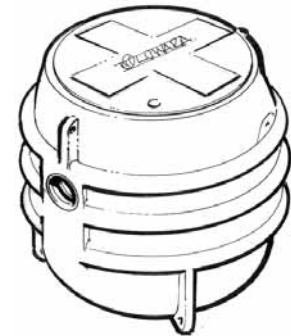
Prices include: one pump, pipework, valves, floatswitches, lifting chains, control panel, access cover and delivery within mainland UK.  
For single pump versions without control panel please deduct £491.00 from above prices.

Pump Description (Dual Pump)				Depth	
Pump	Motor kW	Phase	Discharge Size (mm)	1.3m	2.0m
2 x DOMO 10VX	0.75	1 or 3	50	£3,990	£4,390
2 x DOMO 15VX	1.1	1 or 3	50	£4,280	£4,680
2 x DOMO GRI	1.1	1 or 3	50	£4,590	£4,990
2 x DL(M)109	1.1	1 or 3	50	£5,480	£5,880
2 x FDLT(M) 41-23	0.8	1 or 3	50	£5,590	£5,990
2 x FDLT(M) 42-23	1.2	1 or 3	50	£5,930	£6,330
2 x FDLT(M) 42-22	1.5	1 or 3	50	£6,150	£6,550
2 x FDLT(M) 42-21	2.2	1 or 3	50	£6,550	£6,850
2 x FDLT 43-22	3.2	3	50	£6,890	£7,290
2 x FDLT 44-21	5	3	50	£7,450	£7,850
2 x GLV/GLS 65-15-251	1.5	1	65	N/A	£6,880
2 x GLV/GLS 65-20-253	2	3	65	N/A	£7,130
2 x GLV/GLS 65-24-253	2.4	3	65	N/A	£7,380

Prices include: two pumps, pipework, valves, floatswitches, lifting chains, control panel, access cover and delivery within mainland UK.  
For dual pump versions without control panel please deduct £841.00 from above prices.

### Accessories

Type	Price	Part Number
350mm sump extension ring (maximum 2 per Micro 10)	£310.00	FL05586070
Class AA 5 tonne pedestrian galvanised steel access	£420.00	UKC211N090090



# LET'S SOLVE LOW WATER PRESSURE AROUND THE HOME.

## Resvari (variable speed) and Resfix (fixed speed) Booster Sets

An ever increasing demand on our water supply lines can sometimes lead to poor performance at the point of use due to low pressures, especially at peak demand periods.

Installing a Lowara Resvari or Resfix booster set will ensure that water pressures for both hot and cold supplies will be able to cover the most demanding requirements.

Lowara can provide either fixed or variable speed booster sets depending on the application.

The Resfix (fixed speed) booster set will provide a cost sensitive solution whilst the Resvari (variable speed) booster set will give energy savings over the lifetime of the pump and provide a very stable pressure platform irrespective of the number of outlets being used simultaneously.

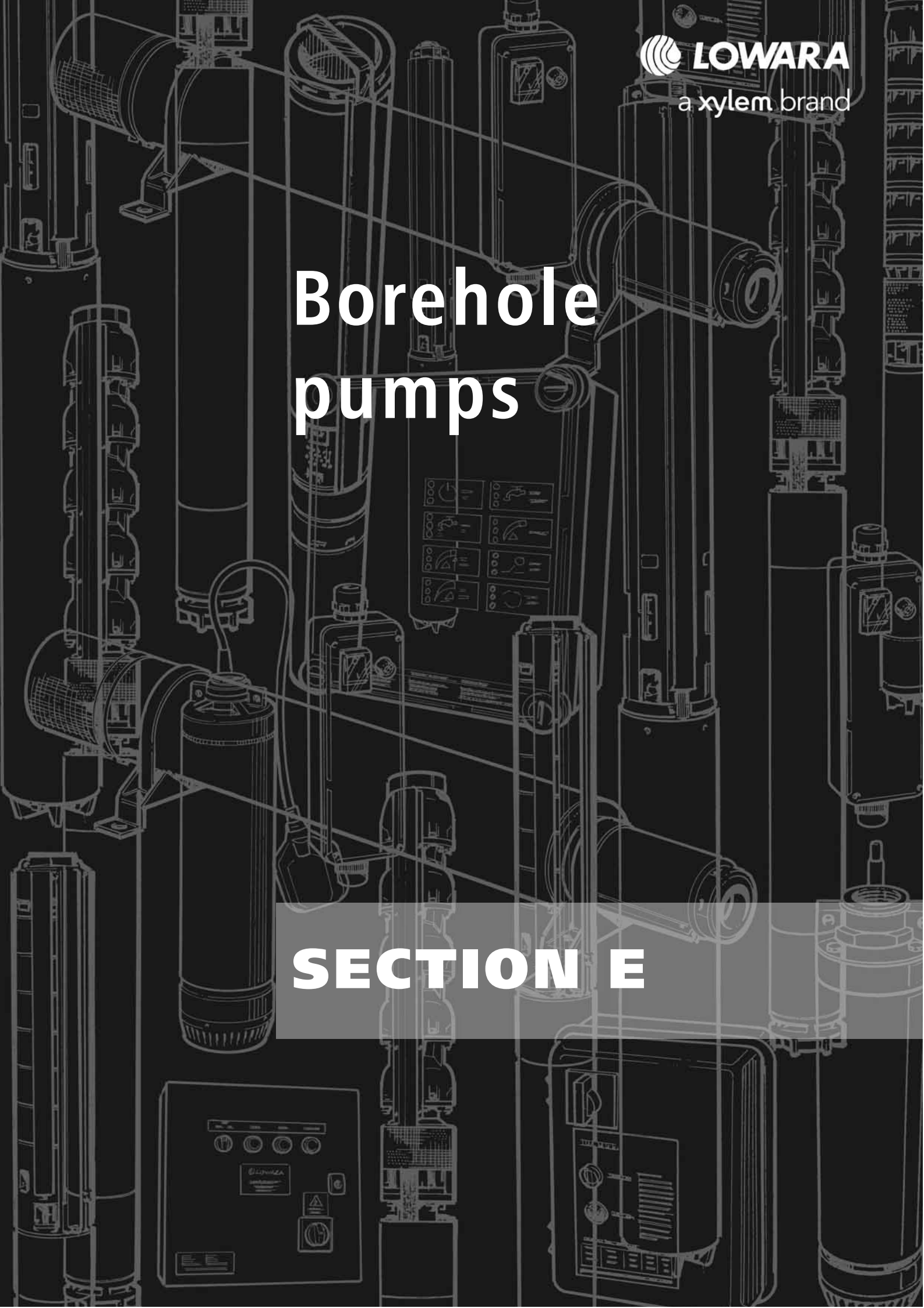


**Lowara UK Limited**  
Millwey Rise Industrial Estate, Axminster, Devon EX13 5HU  
Tel: 01297 630230 Fax: 01297 630270  
Email: [lowaraukenquiries@xyleminc.com](mailto:lowaraukenquiries@xyleminc.com)  
Website: [www.lowara.co.uk](http://www.lowara.co.uk)

**xylem**  
Let's Solve Water

# Borehole pumps

## SECTION E



## CONTENTS

### SECTION E Borehole pumps

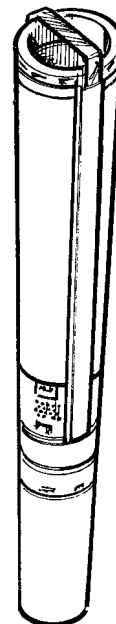
Page	125	GS Series of 4" Submersible pumps (230-1-50)
	126	GS Series of 4" Submersible pumps (400-3-50)
	127	Z6 Series of 6" Borehole pumps (400-3-50)
	128	Z6 Series of 6" Borehole pumps (400-3-50)
	129	Z6 Series of 6" Borehole pumps (400-3-50)
	130	Z6 Series of 6" Borehole pumps (400-3-50)
	131	Z6 Series of 6" Borehole pumps (400-3-50)
	132	Z6 Series of 6" Borehole pumps (400-3-50)
	132	Motor Shrouds
	133	Z8 Series of 8" Borehole pumps for 8" wells
	134	Z8 Series of 8" Borehole pumps for 8" wells
	135	Z10 Series of 10" Borehole pumps for 10" wells
	136	Z10 Series of 10" Borehole pumps for 10" wells
	137	Z12 Series of 12" Borehole pumps for 12" wells
	138	SC Series of Submersible pumps with cable
	139	Control panels and cable

Product line images in this price list are for illustration purpose only, product may vary.  
Lowara UK reserve the right to make modifications without prior notice.



### 4" Submersible borehole pumps - Series GS

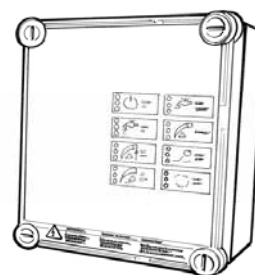
Type	Price with Lowara motor	Price with Franklin motor	Family Code	Part Number (with Lowara motor)	Power kW	Weight kg
<b>Single phase (230/1/50)</b>						
1GSL02M	£491.00	£540.00	1A	104150020	0.37	12
1GSL03M	£531.00	£584.00	1A	104150040	0.37	12
1GSL05M	£565.00	£622.00	1A	104150060	0.55	15
1GSL07M	£652.00	£717.00	1A	104150080	0.75	18
1GSL11M	£801.00	£881.00	1A	104150100	1.1	22
1GSL15M	£1,038.00	£1,143.00	1A	104150120	1.5	28
2GS02M	£545.00	£601.00	1A	104150140	0.37	11
2GS03M	£577.00	£634.00	1A	104150160	0.37	12
2GS05M	£622.00	£686.00	1A	104150180	0.55	14
2GS07M	£718.00	£791.00	1A	104150200	0.75	16
2GS11M	£780.00	£858.00	1A	104150220	1.1	19
2GS15M	£1,265.00	£1,393.00	1A	104150240	1.5	24
2GS22M	£1,504.00	£1,655.00	1A	104150260	2.2	26
4GS03M	£568.00	£627.00	1A	104150280	0.37	12
4GS05M	£597.00	£657.00	1A	104150300	0.55	13
4GS07M	£670.00	£738.00	1A	104150320	0.75	15
4GS11M	£841.00	£925.00	1A	104150340	1.1	18
4GS15M	£1,038.00	£1,143.00	1A	104150360	1.5	22
4GS22M	£1,234.00	£1,358.00	1A	104150380	2.2	24
6GS05M	£713.00	£784.00	1A	104150400	0.55	14
6GS07M	£776.00	£854.00	1A	104150420	0.75	16
6GS11M	£887.00	£976.00	1A	104150440	1.1	19
6GS15M	£994.00	£1,095.00	1A	104150460	1.5	23
6GS22M	£1,159.00	£1,277.00	1A	104150480	2.2	26
8GS07M	£802.00	£882.00	1A	104150500	0.75	15
8GS11M	£928.00	£1,021.00	1A	104150520	1.1	17
8GS15M	£1,188.00	£1,308.00	1A	104150540	1.5	22
8GS22M	£1,313.00	£1,445.00	1A	104150560	2.2	23
12GS15M	£1,318.00	£1,450.00	1A	104150580	1.5	22
12GS22M	£1,556.00	£1,712.00	1A	104150600	2.2	24
16GS22M	£1,374.00	£1,512.00	1A	104150620	2.2	24



#### Franklin SubTronic SC Single Phase Motor Protector Control Boxes

##### only for use with Franklin single phase motors

ST025PSC (0.25kW)	£138.00	1M	UK2846233511
ST037PSC (0.37kW)	£141.00	1M	UK2846243511
ST055PSC (0.55kW)	£145.00	1M	UK2846253511
ST075PSC (0.75kW)	£148.00	1M	UK2846263511
ST110PSC (1.1kW)	£163.00	1M	UK2846273511
ST150PSC (1.5kW)	£177.00	1M	UK2846283511
ST220PSC (2.2kW)	£184.00	1M	UK2846293511
Termination Kit (for use with Franklin motor)	£76.00	1O	UK308090902
Cable for above termination kit (1.5 metres)	£69.00	1O	UK310111001



#### Please note:

Pump price includes cable joint kit, extra price £40.00 for fitting up to & including 4 x 10mm<sup>2</sup> cable, for larger sizes please contact our sales office.

Pumps with Lowara motors up to and including 1.1kW are supplied with PSC control panels within the list price.

Pumps with 1.5 and 2.2kW motors require a PSC, QPC, QMC or QSCS control panel at extra cost.

For the Wedeco Aquada series of UV units please see price list Section G (Spares & Accessories).

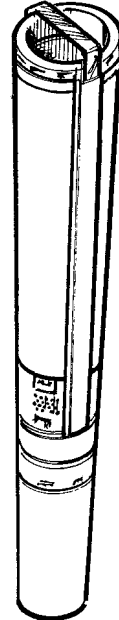
### 4" Submersible Borehole Pump Packages

Packages containing: 4" GS borehole pump with Lowara motor, 40 metres of power cable, cable joint kit, 40 metres of safety rope and QPCS control panel.

Type	Price	Family Code	Part Number	kg
2GS07M kit	£928.00	1A	102900510	29
2GS11M kit	£985.00	1A	102900520	32
4GS07M kit	£877.00	1A	102900550	29
4GS11M kit	£1,025.00	1A	102900560	31

## 4" Submersible borehole pumps - Series GS

Type	Price with Lowara motor	Price with Franklin motor	Family Code	Part Number (with Lowara motor)	Power kW	Weight kg
<b>Three phase (400/3/50)</b>						
1GSL03T	£512.00	£563.00	1A	104150800	0.37	12
1GSL05T	£541.00	£597.00	1A	104150820	0.55	14
1GSL07T	£626.00	£688.00	1A	104150840	0.75	17
1GSL11T	£770.00	£848.00	1A	104150860	1.1	21
1GSL15T	£997.00	£1,098.00	1A	104150880	1.5	26
2GS03T	£553.00	£608.00	1A	104151040	0.37	11
2GS05T	£600.00	£659.00	1A	104151060	0.55	13
2GS07T	£690.00	£760.00	1A	104151080	0.75	14
2GS11T	£750.00	£826.00	1A	104151100	1.1	17
2GS15T	£1,215.00	£1,337.00	1A	104151120	1.5	21
2GS22T	£1,446.00	£1,591.00	1A	104151140	2.2	26
2GS30T	£1,491.00	£1,641.00	1A	104151160	3	37
4GS03T	£545.00	£601.00	1A	104151360	0.37	11
4GS05T	£575.00	£632.00	1A	104151380	0.55	12
4GS07T	£646.00	£712.00	1A	104151400	0.75	14
4GS11T	£808.00	£889.00	1A	104151420	1.1	16
4GS15T	£997.00	£1,098.00	1A	104151440	1.5	19
4GS22T	£1,185.00	£1,305.00	1A	104151460	2.2	24
4GS30T	£1,585.00	£1,745.00	1A	104151480	3	35
4GS40T	£1,737.00	£1,911.00	1A	104151500	4	41
6GS05T	£713.00	£784.00	1A	104151700	0.55	13
6GS07T	£776.00	£854.00	1A	104151720	0.75	14
6GS11T	£887.00	£976.00	1A	104151740	1.1	17
6GS15T	£994.00	£1,095.00	1A	104151760	1.5	20
6GS22T	£1,159.00	£1,277.00	1A	104151780	2.2	25
6GS30T	£1,308.00	£1,439.00	1A	104151800	3	37
6GS40T	£1,778.00	£1,957.00	1A	104151820	4	43
6GS55T	£1,833.00	£2,017.00	1A	104151840	5.5	48
8GS07T	£802.00	£882.00	1A	104151980	0.75	14
8GS11T	£928.00	£1,021.00	1A	104152000	1.1	15
8GS15T	£1,188.00	£1,308.00	1A	104152020	1.5	18
8GS22T	£1,313.00	£1,445.00	1A	104152040	2.2	22
8GS30T	£1,347.00	£1,482.00	1A	104152060	3	33
8GS40T	£1,789.00	£1,968.00	1A	104152080	4	38
8GS55T	£1,905.00	£2,096.00	1A	104152100	5.5	42
8GS75T	£2,116.00	£2,328.00	1A	104152120	7.5	50
12GS15T	£1,318.00	£1,450.00	1A	104152240	1.5	19
12GS22T	£1,556.00	£1,712.00	1A	104152260	2.2	24
12GS30T	£1,577.00	£1,735.00	1A	104152280	3	35
12GS40T	£1,950.00	£2,146.00	1A	104152300	4	41
12GS55T	£2,236.00	£2,460.00	1A	104152320	5.5	45
12GS75T	£2,437.00	£2,681.00	1A	104152340	7.5	54
16GS22T	£1,374.00	£1,512.00	1A	104152440	2.2	23
16GS30T	£1,423.00	£1,566.00	1A	104152460	3	35
16GS40T	£1,612.00	£1,775.00	1A	104152480	4	40
16GS55T	£1,733.00	£1,906.00	1A	104152500	5.5	45
16GS75T	£2,537.00	£2,792.00	1A	104152520	7.5	55



Termination Kit (for use with Franklin motor)	£76.00	1O	UK308090902
Cable for above termination kit (1.5 metres)	£69.00	1O	UK310111001

**Please note:**

Pump price includes cable joint kit, extra price **£40.00** for fitting up to & including 4 x 10mm<sup>2</sup> cable, for larger sizes please contact our sales office. For the Wedeco Aquada series of UV units please see price list Section G (Spares & Accessories).

## 4" Submersible Borehole Pump Packages

Packages containing: 4" GS borehole pump with Lowara motor, 40 metres of power cable, cable joint kit and 40 metres of safety rope.

Type	Price	Family Code	Part Number	kg
2GS07T kit	£793.00	1A	102900530	28
2GS11T kit	£857.00	1A	102900540	29
4GS07T kit	£748.00	1A	102900570	26
4GS11T kit	£914.00	1A	102900580	29

**6" Submersible borehole pumps - Series Z6**

Type	Price with Lowara motor	Price with Franklin motor	Family Code	Part Number (with Lowara motor)	Power kW	Weight kg
Z612 01-L4C	£1,282.00	£1,411.00	2A	104LC0001	0.55	16
Z612 02-L4C	£1,406.00	£1,546.00	2A	104LC0011	1.1	19
Z612 03-L4C	£1,563.00	£1,720.00	2A	104LC0021	1.5	23
Z612 04-L4C	£1,756.00	£1,931.00	2A	104LC0031	2.2	25
Z612 05-L4C	£2,239.00	£2,463.00	2A	104LC0041	3	34
Z612 06-L4C	£2,310.00	£2,541.00	2A	104LC0051	3	36
Z612 07 L4C	£2,534.00	£2,788.00	2A	104LC0061	4	40
Z612 08-L4C	£2,600.00	£2,860.00	2A	104LC0071	4	41
Z612 09-L4C	£2,908.00	£3,200.00	2A	104LC0081	5.5	45
Z612 10-L4C	£2,981.00	£3,280.00	2A	104LC0091	5.5	47
Z612 11-L4C	£3,052.00	£3,358.00	2A	104LC0101	5.5	48
Z612 12-L4C	£3,421.00	£3,762.00	2A	104LC0111	7.5	51
Z612 13-L4C	£3,492.00	£3,841.00	2A	104LC0121	7.5	52
Z612 14-L4C	£3,558.00	£3,915.00	2A	104LC0131	7.5	53
Z612 15-L4C	£3,632.00	£3,995.00	2A	104LC0141	7.5	55
Z612 16-L6W	£4,423.00	£4,865.00	2A	104LK0391	9.3	77
Z612 17-L6W	£4,492.00	£4,942.00	2A	104LK0401	9.3	78
Z612 18-L6W	£4,563.00	£5,020.00	2A	104LK0411	9.3	79
Z612 19-L6W	£4,662.00	£5,128.00	2A	104LK0421	9.3	80
Z612 20-L6W	£4,882.00	£5,370.00	2A	104LK0431	11	86
Z612 21-L6W	£4,958.00	£5,455.00	2A	104LK0441	11	87
Z612 22-L6W	£5,024.00	£5,528.00	2A	104LK0451	11	88
Z612 23-L6W	£5,242.00	£5,766.00	2A	104LK0461	11	90
Z612 24-L6W	£5,340.00	£5,875.00	2A	104LK0471	13	95
Z612 25-L6W	£5,411.00	£5,951.00	2A	104LK0481	13	96
Z612 26-L6W	£5,493.00	£6,044.00	2A	104LK0491	13	98
Z612 27-L6W	£5,567.00	£6,123.00	2A	104LK0501	13	99
Z612 28-L6W	£5,632.00	£6,196.00	2A	104LK0511	13	100
Z612 29-L6W	£5,902.00	£6,492.00	2A	104LK0521	15	109
Z612 30-L6W	£5,975.00	£6,573.00	2A	104LK0531	15	110
Z612 31-L6W	£6,047.00	£6,651.00	2A	104LK0541	15	112
Z612 32-L6W	£6,118.00	£6,730.00	2A	104LK0551	15	113
Z612 33-L6W	£6,682.00	£7,351.00	2A	104LK0561	18.5	122
Z612 34-L6W	£6,756.00	£7,431.00	2A	104LK0571	18.5	123
Z612 35-L6W	£6,852.00	£7,538.00	2A	104LK0581	18.5	124
Z612 36-L6W	£7,066.00	£7,772.00	2A	104LK0591	18.5	126
Z612 37-L6W	£7,136.00	£7,849.00	2A	104LK0601	18.5	128
Z612 38-L6W	£7,211.00	£7,933.00	2A	104LK0611	18.5	129
Z612 39-L6W	£7,280.00	£8,010.00	2A	104LK0621	18.5	130
Z612 40D-L6W	£11,605.00	£12,768.00	2A	104LK0631	18.5	188
Z612 41D-L6W	£11,979.00	£13,176.00	2A	104LK0641	22	192
Z612 42D-L6W	£12,004.00	£13,204.00	2A	104LK0651	22	193
Z612 43D-L6W	£12,023.00	£13,224.00	2A	104LK0661	22	193
Z612 44D-L6W	£12,046.00	£13,250.00	2A	104LK0671	22	194
Z612 45D-L6W	£12,066.00	£13,272.00	2A	104LK0681	22	194
Z612 46D-L6W	£12,088.00	£13,297.00	2A	104LK0691	22	195
Z612 47D-L6W	£12,106.00	£13,317.00	2A	104LK0701	22	195
Z612 48D-L6W	£13,659.00	£15,025.00	2A	104LK0711	26	217
Z612 49D-L6W	£13,676.00	£15,043.00	2A	104LK0721	26	218
Z612 50D-L6W	£13,698.00	£15,067.00	2A	104LK0731	26	218
Z612 51D-L6W	£13,721.00	£15,092.00	2A	104LK0741	26	219
Z612 52D-L6W	£13,740.00	£15,114.00	2A	104LK0751	26	219
Z612 53D-L6W	£13,763.00	£15,140.00	2A	104LK0761	26	220
Z612 54D-L6W	£13,788.00	£15,168.00	2A	104LK0771	26	221
Z612 55D-L6W	£13,811.00	£15,194.00	2A	104LK0781	26	221
Z612 56D-L6W	£13,934.00	£15,328.00	2A	104LK0791	30	230
Z612 57D-L6W	£14,230.00	£15,652.00	2A	104LK0801	30	234
Z612 58D-L6W	£14,252.00	£15,677.00	2A	104LK0811	30	234
Z612 59D-L6W	£14,271.00	£15,699.00	2A	104LK0821	30	235
Z612 60D-L6W	£14,683.00	£16,152.00	2A	104LK0831	30	239



Borehole pumps

**Please note:**

316 stainless steel versions available upon request.  
 400/3/50 D.O.L. motors as standard, please contact our sales office for star/delta options.  
 Motor cable lead included in pump price.  
 Motors are 4" (L4C), 6" (L6W) or 8" (L8W).

## 6" Submersible borehole pumps - Series Z6

Type	Price with Lowara motor	Price with Franklin motor	Family Code	Part Number (with Lowara motor)	Power kW	Weight kg
Z616 01-L4C	£1,413.00	£1,554.00	2A	104LC1021	0.75	17
Z616 02-L4C	£1,614.00	£1,776.00	2A	104LC1031	1.5	22
Z616 03-L4C	£1,820.00	£2,002.00	2A	104LC1041	2.2	24
Z616 04-L4C	£2,314.00	£2,546.00	2A	104LC1051	3	33
Z616 05-L4C	£2,545.00	£2,801.00	2A	104LC1061	4	37
Z616 06-L4C	£2,867.00	£3,154.00	2A	104LC1071	5.5	42
Z616 07-L4C	£2,949.00	£3,243.00	2A	104LC1081	5.5	43
Z616 08-L4C	£3,326.00	£3,658.00	2A	104LC1091	7.5	46
Z616 09-L4C	£3,405.00	£3,747.00	2A	104LC1101	7.5	48
Z616 10-L4C	£3,490.00	£3,839.00	2A	104LC1111	7.5	49
Z616 11-L6W	£4,289.00	£4,719.00	2A	104LK1281	9.3	71
Z616 12-L6W	£4,374.00	£4,809.00	2A	104LK1291	9.3	72
Z616 13-L6W	£4,609.00	£5,069.00	2A	104LK1301	11	77
Z616 14-L6W	£4,684.00	£5,153.00	2A	104LK1311	11	78
Z616 15-L6W	£4,771.00	£5,246.00	2A	104LK1321	11	80
Z616 16-L6W	£4,847.00	£5,333.00	2A	104LK1331	11	81
Z616 17-L6W	£4,960.00	£5,457.00	2A	104LK1341	13	86
Z616 18-L6W	£5,043.00	£5,547.00	2A	104LK1351	13	87
Z616 19-L6W	£5,356.00	£5,893.00	2A	104LK1361	15	96
Z616 20-L6W	£5,436.00	£5,979.00	2A	104LK1371	15	98
Z616 21-L6W	£5,525.00	£6,077.00	2A	104LK1381	15	99
Z616 22-L6W	£6,098.00	£6,707.00	2A	104LK1391	18.5	108
Z616 23-L6W	£6,348.00	£6,983.00	2A	104LK1401	18.5	110
Z616 24-L6W	£6,430.00	£7,072.00	2A	104LK1411	18.5	111
Z616 25-L6W	£6,510.00	£7,161.00	2A	104LK1421	18.5	112
Z616 26-L6W	£6,606.00	£7,267.00	2A	104LK1431	18.5	114
Z616 27-L6W	£7,042.00	£7,747.00	2A	104LK1441	22	118
Z616 28-L6W	£7,120.00	£7,834.00	2A	104LK1451	22	119
Z616 29-L6W	£7,201.00	£7,921.00	2A	104LK1461	22	120
Z616 30-L6W	£7,286.00	£8,015.00	2A	104LK1471	22	121
Z616 31-L6W	£7,907.00	£8,698.00	2A	104LK1481	26	132
Z616 32-L6W	£7,986.00	£8,783.00	2A	104LK1491	26	133
Z616 33-L6W	£8,068.00	£8,875.00	2A	104LK1501	26	134
Z616 34-L6W	£8,150.00	£8,965.00	2A	104LK1511	26	135
Z616 35-L6W	£8,260.00	£9,087.00	2A	104LK1521	26	136
Z616 36-L6W	£8,510.00	£9,360.00	2A	104LK1531	26	138
Z616 37D-L6W	£12,753.00	£14,029.00	2A	104LK1541	30	197
Z616 38D-L6W	£13,025.00	£14,329.00	2A	104LK1551	30	197
Z616 39D-L6W	£13,797.00	£15,177.00	2A	104LK1561	30	208
Z616 40D-L6W	£13,825.00	£15,207.00	2A	104LK1571	30	208
Z616 41D-L6W	£13,845.00	£15,229.00	2A	104LK1581	30	209
Z616 42D-L6W	£13,874.00	£15,260.00	2A	104LK1591	30	210
Z616 43D-L6W	£15,157.00	£16,674.00	2A	104LK1601	37	224
Z616 44D-L6W	£15,184.00	£16,703.00	2A	104LK1611	37	225
Z616 45D-L6W	£15,208.00	£16,730.00	2A	104LK1621	37	225
Z616 46D-L6W	£15,234.00	£16,759.00	2A	104LK1631	37	226
Z616 47D-L6W	£15,257.00	£16,784.00	2A	104LK1641	37	226
Z616 48D-L6W	£16,425.00	£18,068.00	2A	104LK1651	37	239
Z616 49A-L6W	£16,446.00	£18,091.00	2A	104LK1661	37	240
Z616 50D-L6W	£16,470.00	£18,118.00	2A	104LK1671	37	240
Z616 51D-L6W	£16,496.00	£18,146.00	2A	104LK1681	37	241
Z616 52D-L6W	£16,521.00	£18,173.00	2A	104LK1691	37	241
Z616 53D-L8W	£17,729.00	£19,502.00	2A	104LZ1701	45	316
Z616 54D-L8W	£17,756.00	£19,533.00	2A	104LZ1711	45	317
Z616 55D-L8W	£17,782.00	£19,563.00	2A	104LZ1721	45	318
Z616 56D-L8W	£17,804.00	£19,588.00	2A	104LZ1731	45	318



**Please note:**

316 stainless steel versions available upon request.  
 400/3/50 D.O.L. motors as standard, please contact our sales office for star/delta options.  
 Motor cable lead included in pump price.  
 Motors are 4" (L4C), 6" (L6W) or 8" (L8W).

**6" Submersible borehole pumps - Series Z6**

Type	Price with Lowara motor	Price with Franklin motor	Family Code	Part Number (with Lowara motor)	Power kW	Weight kg
Z622 01-L4C	£1,331.00	£1,465.00	2A	104LC1931	1.1	17
Z622 02-L4C	£1,636.00	£1,803.00	2A	104LC1941	2.2	23
Z622 03-L4C	£2,154.00	£2,371.00	2A	104LC1951	3	32
Z622 04-L4C	£2,401.00	£2,642.00	2A	104LC1961	4	38
Z622 05-L4C	£2,740.00	£3,013.00	2A	104LC1971	5.5	42
Z622 06-L4C	£3,137.00	£3,450.00	2A	104LC1981	7.5	46
Z622 07-L4C	£3,237.00	£3,561.00	2A	104LC1991	7.5	47
Z622 08-L6W	£4,062.00	£4,467.00	2A	104LK2121	9.3	70
Z622 09-L6W	£4,160.00	£4,576.00	2A	104LK2131	9.3	71
Z622 10-L6W	£4,409.00	£4,851.00	2A	104LK2141	11	77
Z622 11-L6W	£4,511.00	£4,964.00	2A	104LK2151	11	78
Z622 12-L6W	£4,641.00	£5,106.00	2A	104LK2161	13	84
Z622 13-L6W	£4,758.00	£5,235.00	2A	104LK2171	13	85
Z622 14-L6W	£5,164.00	£5,682.00	2A	104LK2181	15	95
Z622 15-L6W	£5,265.00	£5,790.00	2A	104LK2191	15	97
Z622 16-L6W	£5,861.00	£6,447.00	2A	104LK2201	18.5	106
Z622 17-L6W	£5,968.00	£6,564.00	2A	104LK2211	18.5	108
Z622 18-L6W	£6,065.00	£6,671.00	2A	104LK2221	18.5	109
Z622 19-L6W	£6,532.00	£7,185.00	2A	104LK2231	22	114
Z622 20-L6W	£6,628.00	£7,292.00	2A	104LK2241	22	116
Z622 21-L6W	£6,731.00	£7,404.00	2A	104LK2251	22	117
Z622 22-L6W	£6,834.00	£7,518.00	2A	104LK2261	22	119
Z622 23-L6W	£7,558.00	£8,313.00	2A	104LK2271	26	129
Z622 24-L6W	£7,664.00	£8,431.00	2A	104LK2281	26	131
Z622 25-L6W	£7,787.00	£8,565.00	2A	104LK2291	26	133
Z622 26-L6W	£7,891.00	£8,679.00	2A	104LK2301	26	134
Z622 27-L6W	£8,095.00	£8,903.00	2A	104LK2311	30	144
Z622 28-L6W	£8,197.00	£9,017.00	2A	104LK2321	30	145
Z622 29-L6W	£8,297.00	£9,128.00	2A	104LK2331	30	147
Z622 30-L6W	£8,407.00	£9,248.00	2A	104LK2341	30	148
Z622 31-L6W	£9,771.00	£10,747.00	2A	104LK2351	37	164
Z622 32-L6W	£9,872.00	£10,860.00	2A	104LK2361	37	165
Z622 33-L6W	£9,973.00	£10,969.00	2A	104LK2371	37	167
Z622 34D-L6W	£13,949.00	£15,345.00	2A	104LK2381	37	221
Z622 35D-L6W	£14,893.00	£16,383.00	2A	104LK2391	37	233
Z622 36D-L6W	£14,933.00	£16,426.00	2A	104LK2401	37	234
Z622 37D-L6W	£14,978.00	£16,475.00	2A	104LK2411	37	235
Z622 38D-L8W	£16,386.00	£18,025.00	2A	104LZ2421	45	310
Z622 39D-L8W	£16,428.00	£18,072.00	2A	104LZ2431	45	311
Z622 40D-L8W	£16,465.00	£18,112.00	2A	104LZ2441	45	311
Z622 41D-L8W	£16,871.00	£18,559.00	2A	104LZ2451	45	315
Z622 42D-L8W	£16,908.00	£18,598.00	2A	104LZ2461	45	316
Z622 43D-L8W	£17,321.00	£19,053.00	2A	104LZ2471	45	321
Z622 44D-L8W	£17,362.00	£19,099.00	2A	104LZ2481	45	321
Z622 45D-L8W	£17,722.00	£19,495.00	2A	104LZ2491	45	327
Z622 46D-L8W	£18,567.00	£20,424.00	2A	104LZ2501	52	348
Z622 47D-L8W	£18,609.00	£20,470.00	2A	104LZ2511	52	348
Z622 48D-L8W	£19,250.00	£21,175.00	2A	104LZ2521	52	355
Z622 49D-L8W	£19,290.00	£21,219.00	2A	104LZ2531	52	356
Z622 50D-L8W	£19,326.00	£21,260.00	2A	104LZ2541	52	357



Borehole pumps

**Please note:**

316 stainless steel versions available upon request.  
 400/3/50 D.O.L. motors as standard, please contact our sales office for star/delta options.  
 Motor cable lead included in pump price.  
 Motors are 4" (L4C), 6" (L6W) or 8" (L8W).

## 6" Submersible borehole pumps - Series Z6

Type	Price with Lowara motor	Price with Franklin motor	Family Code	Part Number (with Lowara motor)	Power kW	Weight kg
Z631 01-L4C	£1,910.00	£2,101.00	2A	104LC2721	1.5	21
Z631 02-L4C	£2,614.00	£2,875.00	2A	104LC2731	3	31
Z631 03-L4C	£2,954.00	£3,249.00	2A	104LC2741	4	35
Z631 04-L4C	£3,374.00	£3,711.00	2A	104LC2751	5.5	40
Z631 05-L4C	£3,852.00	£4,237.00	2A	104LC2761	7.5	44
Z631 06-L4C	£4,034.00	£4,437.00	2A	104LC2771	7.5	46
Z631 07-L6W	£4,930.00	£5,423.00	2A	104LK2871	9.3	67
Z631 08-L6W	£5,269.00	£5,796.00	2A	104LK2881	11	74
Z631 09-L6W	£5,449.00	£5,995.00	2A	104LK2891	11	75
Z631 10-L6W	£5,656.00	£6,223.00	2A	104LK2901	13	81
Z631 11-L6W	£6,043.00	£6,647.00	2A	104LK2911	15	90
Z631 12-L6W	£6,721.00	£7,395.00	2A	104LK2921	18.5	100
Z631 13-L6W	£6,933.00	£7,626.00	2A	104LK2931	18.5	101
Z631 14-L6W	£7,283.00	£8,011.00	2A	104LK2941	18.5	103
Z631 15-L6W	£7,825.00	£8,609.00	2A	104LK2951	22	108
Z631 16-L6W	£8,005.00	£8,805.00	2A	104LK2961	22	109
Z631 17-L6W	£8,197.00	£9,017.00	2A	104LK2971	22	111
Z631 18-L6W	£8,908.00	£9,799.00	2A	104LK2981	26	121
Z631 19-L6W	£9,112.00	£10,023.00	2A	104LK2991	26	123
Z631 20-L6W	£9,290.00	£10,218.00	2A	104LK3001	26	124
Z631 21-L6W	£9,577.00	£10,535.00	2A	104LK3011	30	134
Z631 22-L6W	£9,765.00	£10,742.00	2A	104LK3021	30	136
Z631 23-L6W	£10,094.00	£11,105.00	2A	104LK3031	30	137
Z631 24-L6W	£11,540.00	£12,696.00	2A	104LK3041	37	153
Z631 25-L6W	£11,766.00	£12,942.00	2A	104LK3051	37	154
Z631 26-L6W	£11,948.00	£13,143.00	2A	104LK3061	37	156
Z631 27-L6W	£12,132.00	£13,344.00	2A	104LK3071	37	158
Z631 28-L6W	£12,318.00	£13,551.00	2A	104LK3081	37	159
Z631 29-L6W	£12,502.00	£13,753.00	2A	104LK3091	37	161
Z631 30D-L8W	£21,118.00	£23,230.00	2A	104LZ3101	45	292
Z631 31D-L8W	£21,204.00	£23,326.00	2A	104LZ3111	45	293
Z631 32D-L8W	£21,290.00	£23,421.00	2A	104LZ3121	45	294
Z631 33D-L8W	£21,377.00	£23,516.00	2A	104LZ3131	45	295
Z631 34D-L8W	£21,456.00	£23,600.00	2A	104LZ3141	45	295
Z631 35D-L8W	£22,995.00	£25,295.00	2A	104LZ3151	45	308
Z631 36D-L8W	£23,883.00	£26,272.00	2A	104LZ3161	52	328
Z631 37D-L8W	£23,978.00	£26,376.00	2A	104LZ3171	52	329
Z631 38D-L8W	£24,056.00	£26,461.00	2A	104LZ3181	52	330
Z631 39D-L8W	£24,148.00	£26,563.00	2A	104LZ3191	52	331
Z631 40D-L8W	£24,225.00	£26,648.00	2A	104LZ3201	52	331
Z631 41D-L8W	£24,905.00	£27,397.00	2A	104LZ3211	52	335
Z631 42D-L8W	£24,985.00	£27,482.00	2A	104LZ3221	55	342
Z631 43D-L8W	£25,673.00	£28,241.00	2A	104LZ3231	55	347



**Please note:**

316 stainless steel versions available upon request.

400/3/50 D.O.L. motors as standard, please contact our sales office for star/delta options.

Motor cable lead included in pump price.

Motors are 4" (L4C), 6" (L6W) or 8" (L8W).

**6" Submersible borehole pumps - Series Z6**

Type	Price with Lowara motor	Price with Franklin motor	Family Code	Part Number (with Lowara motor)	Power kW	Weight kg
Z646 01-L4C	£1,307.00	£1,438.00	2A	104LC3311	1.5	22
Z646 02-L4C	£1,854.00	£2,039.00	2A	104LC3321	3	32
Z646 03-L4C	£2,288.00	£2,518.00	2A	104LC3331	5.5	42
Z646 04-L4C	£2,658.00	£2,924.00	2A	104LC3341	7.5	46
Z646 05-L4C	£2,813.00	£3,096.00	2A	104LC3351	7.5	49
Z646 06-L6W	£3,489.00	£3,838.00	2A	104LK3441	9.3	72
Z646 07-L6W	£3,754.00	£4,129.00	2A	104LK3451	11	79
Z646 08-L6W	£3,942.00	£4,337.00	2A	104LK3461	13	85
Z646 09-L6W	£4,111.00	£4,522.00	2A	104LK3471	13	88
Z646 10-L6W	£4,514.00	£4,966.00	2A	104LK3481	15	98
Z646 11-L6W	£5,042.00	£5,546.00	2A	104LK3491	18.5	109
Z646 12-L6W	£5,194.00	£5,714.00	2A	104LK3501	18.5	111
Z646 13-L6W	£5,609.00	£6,173.00	2A	104LK3511	22	117
Z646 14-L6W	£5,761.00	£6,338.00	2A	104LK3521	22	119
Z646 15-L6W	£5,939.00	£6,533.00	2A	104LK3531	22	122
Z646 16-L6W	£6,593.00	£7,253.00	2A	104LK3541	26	133
Z646 17-L6W	£6,747.00	£7,422.00	2A	104LK3551	26	136
Z646 18-L6W	£6,987.00	£7,687.00	2A	104LK3561	30	146
Z646 19-L6W	£7,141.00	£7,857.00	2A	104LK3571	30	149
Z646 20-L6W	£7,295.00	£8,024.00	2A	104LK3581	30	151
Z646 21-L6W	£8,376.00	£9,214.00	2A	104LK3591	37	168
Z646 22-L6W	£8,657.00	£9,525.00	2A	104LK3601	37	170
Z646 23-L6W	£8,810.00	£9,691.00	2A	104LK3611	37	173
Z646 24-L6W	£8,965.00	£9,862.00	2A	104LK3621	37	175
Z646 25-L6W	£9,119.00	£10,031.00	2A	104LK3631	37	178
Z646 26D-L8W	£14,573.00	£16,031.00	2A	104LZ3641	45	320
Z646 27D-L8W	£14,653.00	£16,118.00	2A	104LZ3651	45	322
Z646 28D-L8W	£15,517.00	£17,069.00	2A	104LZ3661	45	332
Z646 29D-L8W	£15,594.00	£17,152.00	2A	104LZ3671	45	333
Z646 30D-L8W	£15,674.00	£17,243.00	2A	104LZ3681	45	335
Z646 31D-L8W	£15,782.00	£17,360.00	2A	104LZ3691	45	337
Z646 32D-L8W	£17,103.00	£18,815.00	2A	104LZ3701	52	367
Z646 33D-L8W	£17,180.00	£18,898.00	2A	104LZ3711	52	368
Z646 34D-L8W	£17,259.00	£18,986.00	2A	104LZ3721	52	370
Z646 35D-L8W	£18,134.00	£19,948.00	2A	104LZ3731	52	383
Z646 36D-L8W	£18,216.00	£20,038.00	2A	104LZ3741	52	384
Z646 37D-L8W	£18,593.00	£20,453.00	2A	104LZ3751	55	392



Borehole pumps

**Please note:**

316 stainless steel versions available upon request.  
 400/3/50 D.O.L. motors as standard, please contact our sales office for star/delta options.  
 Motor cable lead included in pump price.  
 Motors are 4" (L4C), 6" (L6W) or 8" (L8W).

## 6" Submersible borehole pumps - Series Z6

Type	Price with Lowara motor	Price with Franklin motor	Family Code	Part Number (with Lowara motor)	Power kW	Weight kg
Z660 01-L4C	£1,557.00	£1,713.00	2A	104LC3881	2.2	23
Z660 02-L4C	£2,148.00	£2,363.00	2A	104LC3891	4	36
Z660 03-L4C	£2,504.00	£2,754.00	2A	104LC3901	5.5	42
Z660 04-L4C	£2,903.00	£3,193.00	2A	104LC3911	7.5	46
Z660 05-L6W	£3,611.00	£3,971.00	2A	104LK4001	9.3	70
Z660 06-L6W	£3,900.00	£4,290.00	2A	104LK4011	11	76
Z660 07-L6W	£4,108.00	£4,520.00	2A	104LK4021	13	83
Z660 08-L6W	£4,455.00	£4,900.00	2A	104LK4031	15	93
Z660 09-L6W	£5,018.00	£5,521.00	2A	104LK4041	18.5	104
Z660 10-L6W	£5,324.00	£5,858.00	2A	104LK4051	18.5	106
Z660 11-L6W	£5,781.00	£6,359.00	2A	104LK4061	22	112
Z660 12-L6W	£5,960.00	£6,558.00	2A	104LK4071	22	114
Z660 13-L6W	£6,147.00	£6,763.00	2A	104LK4081	22	117
Z660 14-L6W	£6,719.00	£7,392.00	2A	104LK4091	26	128
Z660 15-L6W	£6,935.00	£7,629.00	2A	104LK4101	26	131
Z660 16-L6W	£7,318.00	£8,049.00	2A	104LK4111	30	141
Z660 17-L6W	£7,502.00	£8,255.00	2A	104LK4121	30	144
Z660 18-L6W	£8,624.00	£9,486.00	2A	104LK4131	37	160
Z660 19-L6W	£8,807.00	£9,689.00	2A	104LK4141	37	163
Z660 20-L6W	£8,990.00	£9,890.00	2A	104LK4151	37	165
Z660 21-L6W	£9,172.00	£10,091.00	2A	104LK4161	37	168
Z660 22D-L8W	£15,391.00	£16,930.00	2A	104LZ4171	45	308
Z660 23D-L8W	£15,488.00	£17,037.00	2A	104LZ4181	45	309
Z660 24D-L8W	£15,594.00	£17,152.00	2A	104LZ4191	45	310
Z660 25D-L8W	£16,376.00	£18,014.00	2A	104LZ4201	45	319
Z660 26D-L8W	£16,472.00	£18,119.00	2A	104LZ4211	45	320
Z660 27D-L8W	£17,158.00	£18,874.00	2A	104LZ4221	52	342
Z660 28D-L8W	£18,190.00	£20,009.00	2A	104LZ4231	52	352
Z660 29D-L8W	£18,281.00	£20,109.00	2A	104LZ4241	52	353
Z660 30D-L8W	£18,377.00	£20,215.00	2A	104LZ4251	52	355
Z660 31D-L8W	£18,801.00	£20,680.00	2A	104LZ4261	55	363
Z660 32D-L8W	£19,675.00	£21,644.00	2A	104LZ4271	55	373



**Please note:**

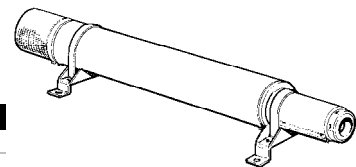
316 stainless steel versions available upon request.  
 400/3/50 D.O.L. motors as standard, please contact our sales office for star/delta options.  
 Motor cable lead included in pump price.  
 Motors are 4" (L4C), 6" (L6W) or 8" (L8W).

## Motor Shrouds

Various shroud options are available for applications which require additional motor cooling, options include:

Support feet for horizontal mounting.  
 Optional strainer on inlet.

Manufactured in stainless steel, please add support feet and suction filter if required.



Pump diameter	Cooling Shroud	Support Feet	Filter	Family Code
4"	£491.00	£228.00	£162.00	9J
6"	£655.00	£315.00	£228.00	9J
8"	£1,319.00	£712.00	£293.00	9J
10"	P.O.A.	P.O.A.	P.O.A.	9J

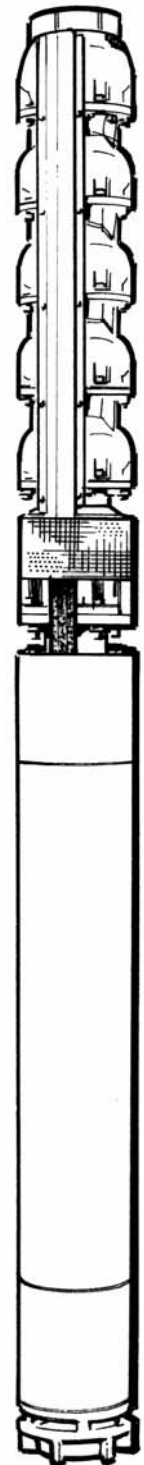
**Please note:**

For further information and prices please contact our sales office.



### 8" Submersible borehole pumps - Series Z8

Type	Price	Family Code	Part Number	Power (kW)	Weight (kg)
Z855 01-L6W	£4,154.00	2F	702324010	5.5	109
Z855 02/2A-L6W	£4,444.00	2F	702324020	7.5	109
Z855 02/1A-L6W	£4,851.00	2F	702324030	7.5	109
Z855 02-L6W	£4,949.00	2F	702324040	9.3	113
Z855 03/2A-L6W	£5,248.00	2F	702324050	11	128
Z855 03-L6W	£5,916.00	2F	702324060	15	141
Z855 04/2A-L6W	£6,539.00	2F	702324070	15	152
Z855 04-L6W	£6,693.00	2F	702324080	18.5	160
Z855 05/3A-L6W	£7,368.00	2F	702324090	18.5	171
Z855 05/2A-L6W	£7,607.00	2F	702324100	22	174
Z855 05-L6W	£7,623.00	2F	702324110	22	174
Z855 06/2A-L6W	£8,895.00	2F	702324120	26	194
Z855 06-L6W	£8,905.00	2F	702324130	30	203
Z855 07/2A-L6W	£9,505.00	2F	702324140	30	214
Z855 07-L6W	£9,515.00	2F	702324160	30	214
Z855 08/2A-L6W	£9,819.00	2F	702324170	37	229
Z855 08-L6W	£9,912.00	2F	702324180	37	229
Z855 09/2A-L6W	£10,363.00	2F	702324200	37	239
Z855 09-L8W	£10,741.00	2F	702321010	45	330
Z855 10/2A-L8W	£10,831.00	2F	702321020	45	341
Z855 10-L8W	£11,088.00	2F	702321030	45	341
Z855 11/2A-L8W	£12,097.00	2F	702321040	45	352
Z855 11-L8W	£12,255.00	2F	702321050	52	373
Z855 12-L8W	£12,595.00	2F	702321060	52	384
Z855 13-L8W	£14,466.00	2F	702321070	55	400
Z855 14-L8W	£14,870.00	2F	702321080	67	442
Z855 15-L8W	£15,287.00	2F	702321090	67	453
Z855 16-L8W	£15,715.00	2F	702321100	75	474
Z855 17-L8W	£17,977.00	2F	702321110	75	485
Z855 18-L8W	£18,481.00	2F	702321120	83	444
Z855 19-L8W	£18,993.00	2F	702321130	93	412
Z875 01-L6W	£4,193.00	2F	702324210	5.5	94
Z875 02/2A-L6W	£4,927.00	2F	702324220	7.5	110
Z875 02/1A-L6W	£5,028.00	2F	702324230	9.3	115
Z875 02-L6W	£5,098.00	2F	702324240	11	119
Z875 03/3A-L6W	£5,764.00	2F	702324250	11	130
Z875 03/2A-L6W	£6,029.00	2F	702324260	13	135
Z875 03/1A-L6W	£6,038.00	2F	702324270	15	143
Z875 03-L6W	£6,192.00	2F	702324280	18.5	151
Z875 04/2A-L6W	£6,850.00	2F	702324290	18.5	163
Z875 04-L6W	£7,093.00	2F	702324300	22	166
Z875 05/3A-L6W	£7,811.00	2F	702324310	22	178
Z875 05/2A-L6W	£8,458.00	2F	702324320	26	187
Z875 05-L6W	£8,473.00	2F	702324330	30	196
Z875 06/2A-L6W	£9,112.00	2F	702324340	30	207
Z875 06/1A-L6W	£9,119.00	2F	702324350	30	207
Z875 06-L6W	£10,263.00	2F	702324360	37	212
Z875 07/2A-L6W	£10,905.00	2F	702324370	37	223
Z875 07-L6W	£10,918.00	2F	702324380	37	223
Z875 08/3A-L6W	£11,576.00	2F	702324390	37	235
Z875 08/2A-L8W	£12,451.00	2F	702321140	37	299
Z875 08-L8W	£12,464.00	2F	702321150	45	326
Z875 09/2A-L8W	£13,146.00	2F	702321160	45	337
Z875 09-L8W	£14,829.00	2F	702321170	52	358
Z875 10/2A-L8W	£15,474.00	2F	702321180	52	370
Z875 10-L8W	£15,489.00	2F	702321190	52	370
Z875 11/2A-L8W	£16,133.00	2F	702321640	52	382
Z875 11-L8W	£17,816.00	2F	702321200	55	387
Z875 12-L8W	£18,465.00	2F	702321210	67	430
Z875 13-L8W	£19,144.00	2F	702321220	67	442
Z875 14-L8W	£19,784.00	2F	702321230	75	464
Z875 15-L8W	£23,098.00	2F	702321240	75	476
Z875 16-L8W	£23,741.00	2F	702321250	83	435
Z875 17-L8W	£24,422.00	2F	702321260	93	405
Z875 18-L8W	£28,807.00	2F	702321270	93	416



Borehole pumps

**Please note:**

Duplex stainless steel versions available upon request.  
 400/3/50 D.O.L. motors as standard, please contact our sales office for star/delta options.  
 Motor cable lead included in pump price.  
 Motors are 6" (L6W), 8" (L8W) or 10" (L10W).

## 8" Submersible borehole pumps - Series Z8

Type	Price	Family Code	Part Number	Power (kW)	Weight (kg)
Z895 01-L6W	£4,316.00	2F	702324400	7.5	99
Z895 02/2B-L6W	£5,181.00	2F	702324410	11	119
Z895 02/2A-L6W	£5,436.00	2F	702324420	13	123
Z895 02-L6W	£5,460.00	2F	702324430	15	131
Z895 03/2B-L6W	£6,281.00	2F	702324440	18.5	151
Z895 03/1A-L6W	£6,529.00	2F	702324450	22	155
Z895 03-L6W	£7,191.00	2F	702324460	26	164
Z895 04/2B-L6W	£7,782.00	2F	702324470	26	176
Z895 04/2A-L6W	£7,842.00	2F	702324480	30	184
Z895 04-L6W	£7,867.00	2F	702324490	30	184
Z895 05/3A-L6W	£9,675.00	2F	702324500	37	200
Z895 05-L6W	£9,704.00	2F	702324510	37	200
Z895 06/3A-L8W	£11,192.00	2F	702321280	45	303
Z895 06-L8W	£11,257.00	2F	702321290	45	303
Z895 07/3A-L8W	£13,527.00	2F	702321300	52	335
Z895 07-L8W	£13,598.00	2F	702321310	52	335
Z895 08/3A-L8W	£14,203.00	2F	702321320	55	352
Z895 08-L8W	£15,966.00	2F	702321330	60	359
Z895 09/3A-L8W	£16,496.00	2F	702321340	67	395
Z895 09-L8W	£16,651.00	2F	702321350	67	395
Z895 10/3A-L8W	£17,130.00	2F	702321360	75	417
Z895 10-L8W	£19,971.00	2F	702321370	75	417
Z895 11-L8W	£20,623.00	2F	702321380	83	377
Z895 12-L8W	£21,274.00	2F	702321390	93	346
Z895 13-L10W	£25,740.00	2F	702321400	110	627
Z895 14-L10W	£26,394.00	2F	702321410	110	639
Z895 15-L10W	£28,634.00	2F	702321420	130	597
Z895 16-L10W	£29,287.00	2F	702321430	130	608
Z895 17-L10W	£29,972.00	2F	702321440	130	620
Z895 18-L10W	£34,172.00	2F	702321450	150	711
Z8125 01-L6W	£4,363.00	2F	702324520	7.5	99
Z8125 02/2B-L6W	£5,219.00	2F	702324530	11	119
Z8125 02/2A-L6W	£5,484.00	2F	702324540	13	123
Z8125 02-L6W	£5,498.00	2F	702324550	15	131
Z8125 03/3A-L6W	£6,327.00	2F	702324560	18.5	151
Z8125 03-L6W	£6,566.00	2F	702324570	22	155
Z8125 04/2B-L6W	£7,823.00	2F	702324580	26	176
Z8125 04/2A-L6W	£7,895.00	2F	702324590	30	184
Z8125 04-L6W	£7,910.00	2F	702324600	30	184
Z8125 05/3A-L6W	£9,761.00	2F	702324610	37	200
Z8125 05-L6W	£9,783.00	2F	702324620	37	200
Z8125 06/3A-L8W	£11,432.00	2F	702321460	45	303
Z8125 06-L8W	£11,452.00	2F	702321470	45	303
Z8125 07/3A-L8W	£13,774.00	2F	702321480	52	335
Z8125 07-L8W	£13,797.00	2F	702321490	52	335
Z8125 08/3A-L8W	£14,460.00	2F	702321500	55	352
Z8125 08-L8W	£16,141.00	2F	702321510	60	359
Z8125 09/3A-L8W	£16,833.00	2F	702321520	67	395
Z8125 09-L8W	£16,855.00	2F	702321530	67	395
Z8125 10/3A-L8W	£17,489.00	2F	702321540	75	417
Z8125 10-L8W	£17,510.00	2F	702321550	75	417
Z8125 11-L8W	£20,809.00	2F	702321560	83	377
Z8125 12-L8W	£21,465.00	2F	702321570	93	346
Z8125 13-L8W	£25,962.00	2F	702321580	93	358
Z8125 14-L10W	£26,618.00	2F	702321590	110	639
Z8125 15-L10W	£28,862.00	2F	702321600	110	650
Z8125 16-L10W	£29,514.00	2F	702321610	130	608
Z8125 17-L10W	£30,204.00	2F	702321620	130	620
Z8125 18-L10W	£34,408.00	2F	702321630	150	711

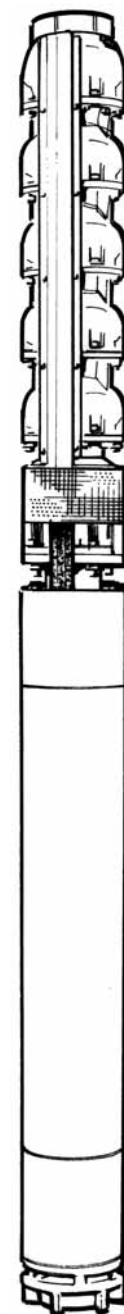


**Please note:**

Duplex stainless steel versions available upon request.  
 400/3/50 D.O.L. motors as standard, please contact our sales office for star/delta options.  
 Motor cable lead included in pump price.  
 Motors are 6" (L6W), 8" (L8W) or 10" (L10W).

**10" Submersible borehole pumps - Series Z10**

Type	Price	Family Code	Part Number	Power (kW)	Weight (kg)
Z10150 01/1C-L6W	£3,981.00	2F	702410010	11	103
Z10150 01/1B-L6W	£4,106.00	2F	702410020	13	107
Z10150 01/1A-L6W	£4,222.00	2F	702410030	15	115
Z10150 02/2C-L6W	£5,498.00	2F	702410050	22	146
Z10150 02/2B-L6W	£5,830.00	2F	702410060	26	155
Z10150 02/2A-L6W	£6,149.00	2F	702410070	30	163
Z10150 03/2C-L6W	£7,077.00	2F	702410100	37	203
Z10150 03/2B-L8W	£9,276.00	2F	702410120	45	270
Z10150 03/3A-L8W	£9,593.00	2F	702410130	45	270
Z10150 03-L8W	£10,162.00	2F	702410140	52	290
Z10150 04/2C-L8W	£11,739.00	2F	702410150	52	311
Z10150 04/2B-L8W	£12,008.00	2F	702410160	60	328
Z10150 04-L8W	£12,393.00	2F	702410180	67	346
Z10150 05/2C-L8W	£12,408.00	2F	702410190	67	367
Z10150 05/2B-L8W	£12,454.00	2F	702410200	75	384
Z10150 05-L8W	£13,774.00	2F	702410210	83	397
Z10150 06/2C-L8W	£15,414.00	2F	702410220	83	417
Z10150 06/1B-L8W	£15,667.00	2F	702410230	93	442
Z10150 06-L10W	£18,337.00	2F	702410240	110	558
Z10150 07/3B-L10W	£18,665.00	2F	702410250	110	579
Z10150 07/1B-L10W	£19,454.00	2F	702410260	110	579
Z10150 08/3B-L10W	£20,480.00	2F	702410270	130	647
Z10150 08-L10W	£20,856.00	2F	702410280	130	647
Z10150 09/3B-L10W	£24,577.00	2F	702410290	150	706
Z10150 09-L10W	£24,766.00	2F	702410300	150	706
Z10150 10-L12W	£36,274.00	2F	702410320	185	793
Z10150 11-L12W	£36,850.00	2F	702410340	185	814
Z10150 12-L12W	£36,961.00	2F	702410350	220	898
Z10220 01/1C-L6W	£4,304.00	2F	702413010	15	114
Z10220 01/1B-L6W	£4,584.00	2F	702413020	18.5	122
Z10220 01/1A-L6W	£4,774.00	2F	702413030	22	125
Z10220 01-L6W	£5,093.00	2F	702413040	26	134
Z10220 02/2C-L6W	£5,431.00	2F	702413050	30	161
Z10220 02/2B-L6W	£7,238.00	2F	702413060	37	180
Z10220 02/2A-L8W	£8,998.00	2F	702413080	45	247
Z10220 02-L8W	£9,551.00	2F	702413090	52	267
Z10220 03/2B-L8W	£10,865.00	2F	702413100	60	304
Z10220 03/3A-L8W	£11,864.00	2F	702413110	67	322
Z10220 03-L8W	£12,127.00	2F	702413120	75	339
Z10220 04/2B-L8W	£13,767.00	2F	702413130	83	371
Z10220 04/2A-L8W	£15,302.00	2F	702413140	93	396
Z10220 04-L10W	£17,150.00	2F	702413160	110	512
Z10220 05/2B-L10W	£18,079.00	2F	702413170	110	531
Z10220 05-L10W	£19,282.00	2F	702413180	130	578
Z10220 06/2B-L10W	£20,269.00	2F	702413190	150	636
Z10220 06-L10W	£31,317.00	2F	702413200	150	636
Z10220 07/2B-L12W	£34,181.00	2F	702413220	185	722
Z10220 07-L12W	£35,596.00	2F	702413240	185	722
Z10220 08/2B-L12W	£38,519.00	2F	702413250	185	741
Z10220 08-L12W	£38,608.00	2F	702413260	220	805
Z10220 09/2B-L12W	£39,879.00	2F	702413270	220	824
Z10220 09/1A-L12W	£40,186.00	2F	702413280	220	824
Z10220 10/2B-L12W	£40,287.00	2F	702413290	260	907
Z10220 10-L12W	£40,420.00	2F	702413300	260	907
Z10220 11/2B-L12W	£44,249.00	2F	702413310	260	927
Z10220 11-L12W	£44,918.00	2F	702413320	300	992
Z10220 12/2B-L12W	£45,523.00	2F	702413330	300	1011
Z10220 12-L12W	£45,624.00	2F	702413340	300	1011



Borehole pumps

**Please note:**

Duplex stainless steel versions available upon request.  
 400/3/50 D.O.L. motors as standard, please contact our sales office for star/delta options.  
 Motor cable lead included in pump price.  
 Motors are 6" (L6W), 8" (L8W), 10" (L10W) or 12" (L12W).

## 10" Submersible borehole pumps - Series Z10

Type	Price	Family Code	Part Number	Power (kW)	Weight (kg)
Z10275 01/1B-L6W	£4,654.00	2F	702412010	18.5	122
Z10275 01/1A-L6W	£4,791.00	2F	702412020	22	125
Z10275 01-L6W	£6,223.00	2F	702412030	30	142
Z10275 02/2B-L6W	£7,288.00	2F	702412040	37	180
Z10275 02/2A-L8W	£8,949.00	2F	702412060	45	248
Z10275 02-L8W	£9,620.00	2F	702412070	55	274
Z10275 03/2B-L8W	£10,332.00	2F	702412080	60	304
Z10275 03/3A-L8W	£11,206.00	2F	702412090	67	322
Z10275 03/1A-L8W	£11,902.00	2F	702412100	75	339
Z10275 03-L8W	£13,786.00	2F	702412110	83	352
Z10275 04/3A-L8W	£15,350.00	2F	702412120	93	397
Z10275 04/2A-L10W	£15,941.00	2F	702412130	110	513
Z10275 04-L10W	£17,301.00	2F	702412140	110	513
Z10275 05/3A-L10W	£19,429.00	2F	702412150	130	579
Z10275 05-L10W	£19,759.00	2F	702412160	150	618
Z10275 06/3A-L10W	£20,289.00	2F	702412170	150	638
Z10275 06-L12W	£30,687.00	2F	702412180	185	703
Z10275 07/2A-L12W	£32,308.00	2F	702412210	185	723
Z10275 07-L12W	£34,941.00	2F	702412230	185	723
Z10275 08/2B-L12W	£37,949.00	2F	702412240	220	806
Z10275 08/1A-L12W	£38,494.00	2F	702412310	220	806
Z10275 09/3A-L12W	£39,616.00	2F	702412260	260	890
Z10275 09-L12W	£40,578.00	2F	702412270	260	890
Z10275 10/3A-L12W	£41,904.00	2F	702412280	260	909
Z10275 10-L12W	£43,055.00	2F	702412290	300	974
Z10275 11/1A-L12W	£43,839.00	2F	702412300	300	994



**Please note:**

Duplex stainless steel versions available upon request.

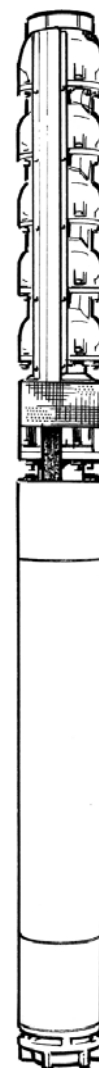
400/3/50 D.O.L. motors as standard, please contact our sales office for star/delta options.

Motor cable lead included in pump price.

Motors are 6" (L6W), 8" (L8W), 10" (L10W) or 12" (L12W).

**12" Submersible borehole pumps - Series Z12**

Type	Price	Family Code	Part Number	Power (kW)	Weight (kg)
Z12340 01/1B-L8W	£7,607.00	2F	702460010	30	217
Z12340 01/1A-L8W	£8,669.00	2F	702460020	37	234
Z12340 01-L8W	£10,305.00	2F	702460030	45	252
Z12340 02/2C-L8W	£12,127.00	2F	702460040	52	300
Z12340 02/2B-L8W	£13,117.00	2F	702460050	60	317
Z12340 02/2A-L8W	£13,815.00	2F	702460060	75	352
Z12340 02-L8W	£16,451.00	2F	702460070	93	390
Z12340 03/2C-L10W	£18,730.00	2F	702460090	110	531
Z12340 03/3A-L10W	£19,596.00	2F	702460100	110	531
Z12340 03/1A-L10W	£19,810.00	2F	702460110	130	578
Z12340 03-L10W	£20,469.00	2F	702460120	150	617
Z12340 04/2B-L10W	£23,408.00	2F	702460130	150	644
Z12340 04/2A-L12W	£34,122.00	2F	702460150	185	710
Z12340 04-L12W	£36,380.00	2F	702460170	185	710
Z12340 05/2B-L12W	£37,785.00	2F	702460180	220	801
Z12340 05/2A-L12W	£38,983.00	2F	702460190	220	801
Z12340 05-L12W	£40,135.00	2F	702460200	220	801
Z12340 06/2B-L12W	£43,192.00	2F	702460210	260	893
Z12340 06/2A-L12W	£43,572.00	2F	702460220	260	893
Z12340 06-L12W	£43,987.00	2F	702460230	260	893
Z12340 07/3A-L12W	£44,248.00	2F	702460240	300	985
Z12340 07-L12W	£46,953.00	2F	702460250	300	985
Z12340 08/3A-L12W	P.O.A.	2F	T.B.C.	350	-
Z12340 08-L12W	P.O.A.	2F	T.B.C.	350	-
Z12420 01/1C-L8W	£7,821.00	2F	702461010	30	217
Z12420 01/1B-L8W	£8,880.00	2F	702461020	37	234
Z12420 01/1A-L8W	£9,811.00	2F	702461030	45	252
Z12420 01-L8W	£10,515.00	2F	702461040	52	272
Z12420 02/2C-L8W	£12,501.00	2F	702461050	60	317
Z12420 02/2B-L8W	£14,082.00	2F	702461060	75	352
Z12420 02/2A-L8W	£16,720.00	2F	702461070	93	390
Z12420 02-L10W	£16,970.00	2F	702461090	110	504
Z12420 03/2C-L10W	£19,916.00	2F	702461100	110	531
Z12420 03/2B-L10W	£21,482.00	2F	702461110	130	577
Z12420 03/3A-L10W	£24,994.00	2F	702461120	150	617
Z12420 03-L10W	£26,543.00	2F	702461130	150	617
Z12420 04/3B-L12W	£35,373.00	2F	702461150	185	710
Z12420 04/3A-L12W	£36,773.00	2F	702461170	185	710
Z12420 04-L12W	£40,789.00	2F	702461180	220	774
Z12420 05/2B-L12W	£43,077.00	2F	702461190	260	865
Z12420 05-L12W	£43,660.00	2F	702461200	260	865
Z12420 06/2B-L12W	£49,199.00	2F	702461210	300	958
Z12420 06-L12W	£49,598.00	2F	702461220	300	958
Z12420 07/2B-L12W	P.O.A.	2F	T.B.C.	350	-
Z12420 07-L12W	P.O.A.	2F	T.B.C.	350	-



Borehole pumps

**Please note:**

Duplex stainless steel versions available upon request.  
 400/3/50 D.O.L. motors as standard, please contact our sales office for star/delta options.  
 Motor cable lead included in pump price.  
 Motors are 8" (L8W), 10" (L10W) or 12" (L12W).

## Submersible pumps with 20 metres of (H07) cable - Series SC

Type	Price	Family Code	Part Number	Power (kW)	Weight (kg)
<b>Single phase (230/1/50) without floatswitch</b>					
SC205C L27	£522.00	1G	107660010XXXUBA	0.55	14
SC207C L27	£566.00	1G	107660020XXXUBA	0.75	15
SC209C L27	£590.00	1G	107660030XXXUBA	0.9	16
SC211C L27	£655.00	1G	107660040XXXUBA	1.1	18
SC407C L27	£568.00	1G	107660110XXXUBA	0.75	15
SC409C L27	£592.00	1G	107660120XXXUBA	0.9	16
SC411C L27	£658.00	1G	107660130XXXUBA	1.1	18
<b>Three phase (400/3/50) without floatswitch</b>					
SC205T L27	£509.00	1G	107660060	0.55	14
SC207T L27	£528.00	1G	107660070	0.75	15
SC209T L27	£562.00	1G	107660080	0.9	16
SC211T L27	£611.00	1G	107660090	1.1	18
SC407T L27	£539.00	1G	107660160	0.75	15
SC409T L27	£564.00	1G	107660170	0.9	16
SC411T L27	£614.00	1G	107660180	1.1	18
<b>Single phase (230/1/50) with floatswitch</b>					
SC205C G L27	£582.00	1G	107660210XXXUBA	0.55	14
SC207C G L27	£630.00	1G	107660220XXXUBA	0.75	15
SC209C G L27	£661.00	1G	107660230XXXUBA	0.9	16
SC211C G L27	£724.00	1G	107660240XXXUBA	1.1	18
SC407C G L27	£632.00	1G	107660260XXXUBA	0.75	15
SC409C G L27	£663.00	1G	107660270XXXUBA	0.9	16
SC411C G L27	£728.00	1G	107660280XXXUBA	1.1	18



### Control Panels for borehole pumps

Type	Price	Family Code	Part Number	Power (kW)
<b>PSC type plastic box (230/1/50) IP44</b>				
PSC 50	£99.00	1M	UK910000094	0.37
PSC 75	£100.00	1M	UK910000095	0.55
PSC 100	£111.00	1M	UK910000096	0.75
PSC 150	£114.00	1M	UK910000097	1.1
PSC 200	£124.00	1M	UK910000098	1.5
PSC 300	£141.00	1M	UK910000099	2.2

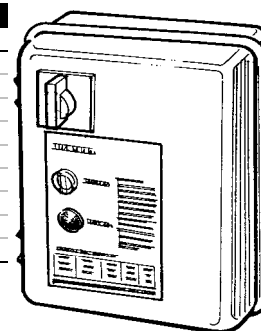
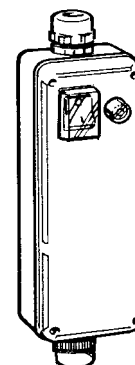
#### QPC type plastic box (230/1/50) IP54

QPC/03	£129.00	1M	108330250	0.37
QPC/05	£139.00	1M	108330350	0.55
QPC/07	£148.00	1M	108330450	0.75
QPC/11	£155.00	1M	108330550	1.1
QPC/15	£165.00	1M	108330650	1.5
QPC/22	£173.00	1M	108330750	2.2

#### QSCS type plastic box (230/1/50) IP55 with base for probe relay

QSCS/03	£358.00	1M	108584600	0.37
QSCS/05	£362.00	1M	108584700	0.55
QSCS/07	£370.00	1M	108584800	0.75
QSCS/11	£387.00	1M	108584900	1.1
QSCS/15	£432.00	1M	108585000	1.5
QSCS/22	£485.00	1M	108585100	2.2

Type	Price	Family Code	Part Number	Current (A)
<b>QTD type metal box (400/3/50) IP54 with running lamp and base for probe relay</b>				
QTD/02-03	£389.00	1M	108520500	0.63-1.0
QTD/03-05	£389.00	1M	108520600	1.0-1.6
QTD/05-07	£419.00	1M	108520700	1.6-2.5
QTD/07-15	£419.00	1M	108520800	2.5-4.0
QTD/15-22	£419.00	1M	108520900	4.0-6.3
QTD/22-40	£465.00	1M	108521000	6.3-10
QTD/40-75	£533.00	1M	108521100	10-16
QTD/75-92	£583.00	1M	108521200	16-20
QTD/92-110	£649.00	1M	108521300	20-25
SLD Probe kit and relay	£187.00	9L	109890690	
E/SLC Probe Kit only (3 off)	£67.00	9L	109890730	



### Cable for borehole pumps

Type	Price up to 499m	Price 500m and over	Family Code	Part Number
1 x 1.0mm <sup>2</sup>	£2.00/m	£1.99/m	9L	002851144
3 x 1.5mm <sup>2</sup>	£3.15/m	£2.50/m	9L	002851151
4 x 1.5mm <sup>2</sup>	£3.85/m	£2.80/m	9L	002851145
4 x 2.5mm <sup>2</sup>	£5.32/m	£4.00/m	9L	002851146
4 x 4mm <sup>2</sup>	£6.86/m	£5.13/m	9L	002851147
4 x 6mm <sup>2</sup>	£10.57/m	£7.93/m	9L	002851148
4 x 10mm <sup>2</sup>	£19.43/m	£14.44/m	9L	002851149
4 x 16mm <sup>2</sup>	£21.45/m	£16.07/m	9L	002851150

Cable joint kits	Price	Family Code	Part Number
GR-1 resin filled joint, up to 2.5mm <sup>2</sup>	£63.00	9L	002527000
GR-2 resin filled joint, 2.5-10mm <sup>2</sup>	£70.00	9L	002527005
GR-3 resin filled joint, 16mm <sup>2</sup>	£115.00	9L	002527001
GR-4 resin filled joint, 25mm <sup>2</sup>	£206.00	9L	002527006
GR-5 resin filled joint, 35mm <sup>2</sup>	£308.00	9L	002527007
GT-1 heat shrink joint 4x2.5 mm <sup>2</sup>	£42.00	9L	UK002527112
GT-2 heat shrink joint 4x6mm <sup>2</sup>	£68.00	9L	UK002527113
GT-3 heat shrink joint 4x10mm <sup>2</sup>	£93.00	9L	UK002527114
GT-4 heat shrink joint 4x16mm <sup>2</sup>	£113.00	9L	UK002527116
GT-5 heat shrink joint 4x25mm <sup>2</sup>	£151.00	9L	002527016
GT-6 heat shrink joint 4x35mm <sup>2</sup>	£196.00	9L	002527017



# Superior efficiency rules the water

## Introducing the Lowara Pumps **e-SV™ Series:**

energy efficient, economical and easy-to-install stainless steel multi-stage pumps.

Powerful, intelligent and constantly in motion, not just adapting to their surroundings, but dominating them. Like sharks, e-SV pumps are tough, efficient and built to last. Thanks to a unique combination of new hydraulic design and higher efficiency motor, the e-SV delivers lower overall life-cycle costs and superior efficiency compared to most pumps available today.

- Optimized hydraulic design results in superior boosting performance, efficiency and NPSHr levels.
- All stainless-steel construction.
- Expanded line of pump sizes for wide range of applications.
- Patented i-ALERT™ monitor continuously measures vibration to support optimum performance. Available on pumps 7,5kW and above.
- New design eliminates need to remove motor, reducing repair time by up to 50 percent.

Now there's more than one way to rule the water.

Find out more at [www.lowara.co.uk](http://www.lowara.co.uk)



**WRAS**  
APPROVED  
PRODUCT

**Lowara UK Limited**  
Millwey Rise Industrial Estate, Axminster, Devon EX13 5HU  
Tel: 01297 630230 Fax: 01297 630270  
Email: [lowaraukenquiries@xylem.com](mailto:lowaraukenquiries@xylem.com)  
Website: [www.lowara.co.uk](http://www.lowara.co.uk)

**xylem**  
Let's Solve Water



# Variable speed

## SECTION F

## CONTENTS

### SECTION F Variable speed

Page	143	Hydrovar energy saving control systems
	144	Mini-Hydrovar
	144	Pumpwatcher
	144	Orifice plates
	144	Pressure transducers
	144	Water cooled Hydrovar
	145	Aquonroller
	145	Lowara motors
	146	Teknospeed variable speed drives

Product line images in this price list are for illustration purpose only, product may vary.  
Lowara UK reserve the right to make modifications without prior notice.

## Hydrovar Variable Speed Drives

### Increase flexibility and control with the new generation Hydrovar

New Hydrovar is the long-awaited solution for high-level installations requiring failsafe systems with a superior range of features.

Its unique modular design needs no additional master control and enables virtually any configuration of pumps: up to 8 master drives. Modularity also offers a cost-effective solution for low-level, reduced feature demands.

#### Advantages

The new Hydrovar concept allows more flexibility and cost savings. Just pay for what you really need. Versions available: Master, Multicontroller.

Easy to integrate into BMS systems Modbus communication is included as standard.

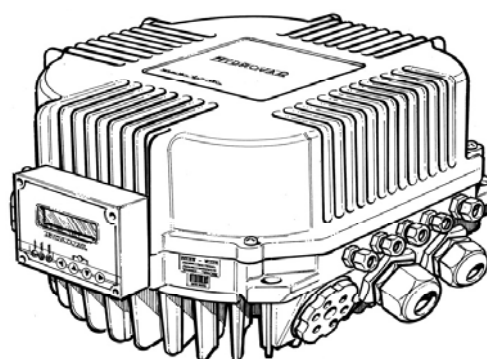
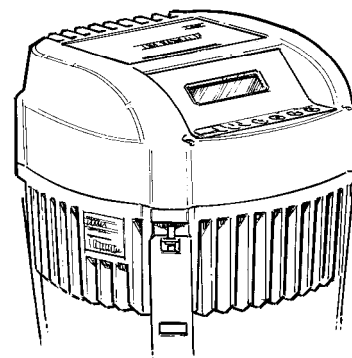
Improved software structure and illuminated display for easy handling and programming – even in difficult installations.

#### Retrofitting

Retrofitting is possible on all existing standard asynchronous motors, which are suitable for VFD operation.

Constant system pressure in water supply and booster stations. Control along the system curve for circulation pumps for the HVAC markets.

Longer maintenance intervals because of less stress to pumps and motors.



Hydrovar: pump / motor mountable version	Price (Hydrovar only)	Price (fitted to pump)	Family Code	Part Number	Power kW	Supply voltage	Motor Voltage	Weight kg
Hydrovar without pump and motor, including standard pressure transducer								
HV2.015	£1,277.00	£1,383.00	6E	700012501EN	1.5	1ph x 230v	3ph x 230v	4
HV2.022	£1,512.00	£1,637.00	6E	700013501EN	2.2	1ph x 230v	3ph x 230v	4
HV4.022	£1,512.00	£1,637.00	6E	700014501EN	2.2	3ph x 400v	3ph x 400v	4
HV4.030	£1,815.00	£1,962.00	6E	700015501EN	3	3ph x 400v	3ph x 400v	4
HV4.040	£2,028.00	£2,195.00	6E	700016501EN	4	3ph x 400v	3ph x 400v	4
HV4.055	£2,403.00	£2,599.00	6E	700017501EN	5.5	3ph x 400v	3ph x 400v	7.7
HV4.075	£2,980.00	£3,228.00	6E	700018501EN	7.5	3ph x 400v	3ph x 400v	7.7
HV4.110	£3,367.00	£3,643.00	6E	700019501EN	11	3ph x 400v	3ph x 400v	7.7
HV4.150	£3,831.00	£4,138.00	6E	700020201EN	15	3ph x 400v	3ph x 400v	15
HV4.185	£4,020.00	£4,341.00	6E	700021201EN	18.5	3ph x 400v	3ph x 400v	15
HV4.220	£4,401.00	£4,753.00	6E	700022201EN	22	3ph x 400v	3ph x 400v	15

Hydrovar: wall mountable version	Price	Family Code	Part Number	Power kW	Supply voltage	Motor Voltage	Weight kg
Hydrovar without pump and motor, including standard pressure transducer							
HV2.015W	£1,586.00	6E	700012501-WM	1.5	1ph x 230v	3ph x 230v	5
HV2.022W	£1,883.00	6E	700013501-WM	2.2	1ph x 230v	3ph x 230v	5
HV4.022W	£1,883.00	6E	700014501-WM	2.2	3ph x 400v	3ph x 400v	5
HV4.030W	£2,252.00	6E	700015501-WM	3	3ph x 400v	3ph x 400v	5
HV4.040W	£2,516.00	6E	700016501-WM	4	3ph x 400v	3ph x 400v	5
HV4.055W	£2,990.00	6E	700017501-WM	5.5	3ph x 400v	3ph x 400v	8.7
HV4.075W	£3,574.00	6E	700018501-WM	7.5	3ph x 400v	3ph x 400v	8.7
HV4.110W	£4,044.00	6E	700019501-WM	11	3ph x 400v	3ph x 400v	8.7
HV4.150W	£4,177.00	6E	700020201-WM	15	3ph x 400v	3ph x 400v	16
HV4.185W	£4,365.00	6E	700021201-WM	18.5	3ph x 400v	3ph x 400v	16
HV4.220W	£4,744.00	6E	700022201-WM	22	3ph x 400v	3ph x 400v	16
HV3.30W	£6,903.00	6E	709451030ITEN	30	3ph x 400v	3ph x 400v	57
HV3.37W	£7,838.00	6E	709452030ITEN	37	3ph x 400v	3ph x 400v	57
HV3.45W	£8,328.00	6E	709453030ITEN	45	3ph x 400v	3ph x 400v	60
HV3.55W	P.O.A.	6E	T.B.C.	55	3ph x 400v	3ph x 400v	T.B.C.
HV3.75W	P.O.A.	6E	T.B.C.	75	3ph x 400v	3ph x 400v	T.B.C.
HV3.90W	P.O.A.	6E	T.B.C.	90	3ph x 400v	3ph x 400v	T.B.C.
HV3.110W	P.O.A.	6E	T.B.C.	110	3ph x 400v	3ph x 400v	T.B.C.

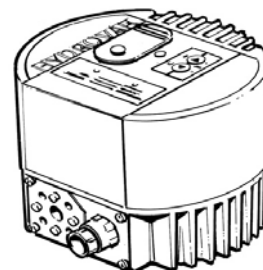
Hydrovar software versions may vary - for compatibility when more than one Hydrovar is connected please contact our sales office.

## Hydrovar Variable Speed Drives

### Mini-Hydrovar (0.55-1.1kW)

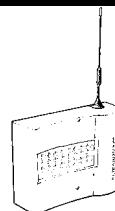
Without pump & motor, inc. standard 10 bar pressure transducer & mounting clamps where necessary.

Type	Price	Family Code	kW	Part Number	kg
HV 1.1 (Mini-Hydrovar)	<b>£841.00</b>	6E	0.55-1.1	709131021EN	2
(the above Mini-Hydrovar comes complete with 0-10 bar pressure transducer as standard)					
HV1.1 wall mounting kit	<b>£148.00</b>	6G		709591350	
Programmer (HV1.1)	<b>£301.00</b>	6G		709591120	
Pressure transducer 0-10 bar (HV1.1)	<b>£192.00</b>	6G		709821010	
Pressure transducer 0-25 bar (HV1.1)	<b>£281.00</b>	6G		709821020	
Differential pressure transducer 0-4 bar (HV1.1)	<b>£345.00</b>	6G		709822010	



### Pumpwatcher

Type	Price	Family Code
Pumpwatcher (incl. antenna, without battery)	<b>£2,708.00</b>	6G
External antenna (box) incl. 2m cable	<b>£917.00</b>	6G
Additional antenna cable (5m incl. coupling) maximum 2 in series	<b>£155.00</b>	6G
Battery (for signaling "no power")	<b>£701.00</b>	6G
Power pack capacitors (for signaling "no power")	<b>£991.00</b>	6G



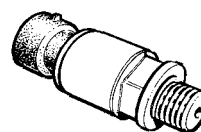
### Orifice Plates

including differential pressure transmitter, couplings, pipework

Type	Price	Family Code	Flow Range
DN32	<b>£882.00</b>	6G	2.7-8 m <sup>3</sup> /hr
DN32	<b>£882.00</b>	6G	4-12 m <sup>3</sup> /hr
DN40	<b>£882.00</b>	6G	4.5-14 m <sup>3</sup> /hr
DN40	<b>£882.00</b>	6G	7-21 m <sup>3</sup> /hr
DN50	<b>£911.00</b>	6G	8-24 m <sup>3</sup> /hr
DN50	<b>£911.00</b>	6G	12-36 m <sup>3</sup> /hr
DN65	<b>£976.00</b>	6G	12-36 m <sup>3</sup> /hr
DN65	<b>£976.00</b>	6G	16-48 m <sup>3</sup> /hr
DN80	<b>£976.00</b>	6G	27-60 m <sup>3</sup> /hr
Flow Sensor (magnetic-inductive)	<b>£1,967.00</b>	6G	20-700 m <sup>3</sup> /hr

### Pressure Transducers

Type	Price	Family Code	Part Number
<b>Standard pressure transducers</b>			
10 bar	<b>£227.00</b>	6G	709811210
16 bar	<b>£252.00</b>	6G	709811220
25 bar	<b>£274.00</b>	6G	709811230
40 bar	<b>£294.00</b>	6G	709811240



10m Cable inc. plug (for new design transducer) *	<b>£56.00</b>	9L	709591620
20m Cable inc. plug (for new design transducer) *	<b>£67.00</b>	9L	709591690

\* Transducer not included.

#### Differential pressure transducers

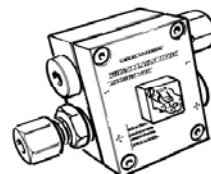
0-4 bar	<b>£463.00</b>	6G	709812010
0-10 bar	<b>£573.00</b>	6G	709812020

#### Pipework for fitting differential pressure transducers

single pump	<b>£126.00</b>	9H	749110010
twin pump	<b>£294.00</b>	9H	749110020

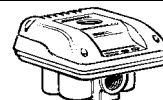
#### RS485 cable

RS485 link cable	<b>£7.50 per metre</b>	9L	UK0034190
------------------	------------------------	----	-----------



### Water Cooled Hydrovar

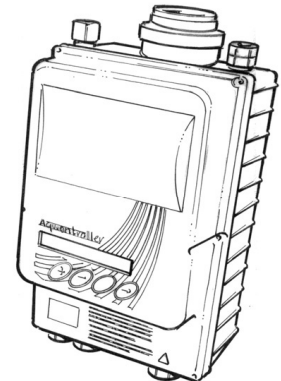
Type	Price	Family Code	Part Number	kW	kg
Water Cooled Hydrovar only	<b>£461.00</b>	6D	709121021	0.55-0.75	5
Water Cooled Hydrovar Hydraulic Kit only	<b>£115.00</b>	9J	109391990		5



## AQUONTROLLER

230 volt single phase variable speed drive for single phase motors.

Type	Price	Family Code	Part Number	kg
AQUONTROLLER MMW08 (water cooled, pipe mounted, maximum current 8A)	£431.00	6D	109899362	3.6
AQUONTROLLER MMW12 (water cooled, pipe mounted, maximum current 12A)	£459.00	6D	109899372	3.6
AQUONTROLLER MMA08 (air cooled, wall mounted, maximum current 8A)	£463.00	6D	109899382	5.2
AQUONTROLLER MMA12 (air cooled, wall mounted, maximum current 12A)	£551.00	6D	109899392	6.9



### Accessories

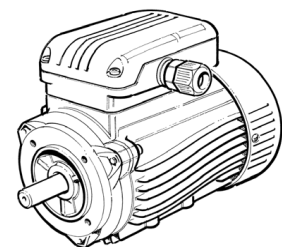
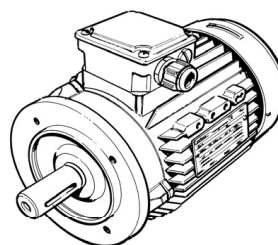
Impedence coil (for motor cables >5m and ≤100m)	£144.00	9L	109891550	1
EMF filter	£171.00	6G	109690280	1

## Lowara Motors

kW	Price	Family Code	Part Number	Speed	Frame size	kg
<b>Three phase (400V) motors, D-flange mounted without feet</b>						
1.5	£453.00	4S	10308R00K	2900rpm	90	11
2.2	£478.00	4S	50001RB00	2900rpm	90	20
3	£613.00	4S	50007RB00	2900rpm	100	26
4	£654.00	4S	50008VE00	2900rpm	112	29
5.5	£949.00	4S	50013VE00	2900rpm	132	37
7.5	£1,019.00	4S	50017VB00	2900rpm	132	41
11	£1,088.00	4S	50019VE00	2900rpm	160	77.5
15	£2,149.00	4S	50024VB00	2900rpm	160	107
<b>Three phase (400V) motors, C-face mounted without feet (as used on SV range)</b>						
0.55	£364.00	4S	107230740	1450rpm	80	8
0.75	£383.00	4S	107241510	1450rpm	80	12
1.1	£483.00	4S	50005RB00	1450rpm	90	20
1.5	£506.00	4S	50006RB00	1450rpm	90	21
2.2	£634.00	4S	50010RB00	1450rpm	100	34
3	£681.00	4S	50011RB00	1450rpm	100	38
4	£860.00	4S	50015VB00	1450rpm	112	62
<b>Single phase (230V) motors, C-face mounted without feet (as used on SV range)</b>						
0.37	£302.00	9S	107230020	2900rpm	71	6
0.55	£317.00	9S	107230040	2900rpm	71	8
0.75	£359.00	9S	107230100	2900rpm	80	10
1.1	£387.00	9S	107230120	2900rpm	80	11
1.5	£432.00	9S	107230180	2900rpm	90	14
2.2	£483.00	4S	50004HD00	2900rpm	90	16

### Please note:

Lowara single phase motors are permanent capacitor type.



## Teknospeed variable speed end suction pumps - Series TKS

Single phase variable speed pumps for constant pressure  
 Supply: 230v (+/-10%) single phase 50Hz  
 Single pump or dual pump operation  
 Pressure feedback: pressure transducer (4-20mA)

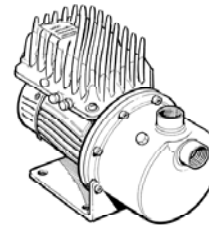
Type	Price	Family Code	Part Number	kW	kg
<b>Teknospeed/HMZ Pumps</b>					
TKS/2HM3ZT	£904.00	7N	107600135	0.3	9.6
TKS/2HM5ZT	£945.00	7N	107600155	0.55	11.4
TKS/2HM7ZT/D	£983.00	7N	104590115	0.75	19
TKS/4HM4ZT	£905.00	7N	107600175	0.45	10.1
TKS/4HM5ZT	£946.00	7N	107600185	0.55	10.9
TKS/4HM9ZT/D	£1,059.00	7N	104590155	0.9	20
TKS/4HMS7T/D	£1,104.00	7N	104590230	0.75	19
<b>Teknospeed/BG Pumps</b>					
TKS/BG7/D	£1,095.00	7N	104590275	0.75	20
TKS/BG11/D	£1,134.00	7N	104590295	1.1	21
<b>Teknospeed/CEA-CA</b>					
TKS/CEA80/5/D-V	£1,123.00	7N	104590335XAA	0.75	19
TKS/CEA120/5/D-V	£1,255.00	7N	104590355XAA	1.1	21
TKS/CA70/33/D-V	£1,156.00	7N	104590455XAA	0.75	22
*TKS/CA70/44/D-V	£1,298.00	7N	104590475XAA	1.1	24

\*Special product/pump for Teknospeed only

Please note that every unit is supplied complete with pump, integrated drive, pressure transmitter, cable & plug.  
 To enable the pump to stop on zero demand, you must fit a NRV and pressure vessel (minimum size 8 litres) please add the following option:

Teknospeed Accessories (single pump)	Price	Family Code	Part Number
Teknospeed 8 litre Hydraulic Kit (supplied loose)	£134.00	9B	109391960

For complete single and twin pump Teknospeed booster sets please see price list section C (Clean Water Packaged Sets).



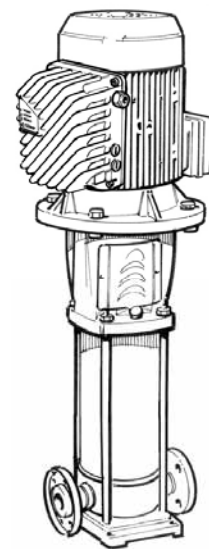
## Teknospeed variable speed vertical multistage pumps - Series TKS/SV

Type	Price	Family Code	Part Number	kW	kg
*F in-line round ports, other port configurations available on request.					
TKS/1SV02F003T	£1,173.00	7N	107607011	0.37	16
TKS/1SV03F003T	£1,192.00	7N	107607021	0.37	16.4
TKS/1SV04F003T	£1,220.00	7N	107607031	0.37	16.8
TKS/1SV05F003T	£1,268.00	7N	107607041	0.37	17.2
TKS/1SV06F003T	£1,310.00	7N	107607051	0.37	17.6
TKS/1SV07F003T	£1,350.00	7N	107607061	0.37	17.9
TKS/1SV08F005T	£1,384.00	7N	107607071	0.55	18.2
TKS/1SV09F005T	£1,448.00	7N	107607081	0.55	18.6
TKS/1SV10F005T	£1,494.00	7N	107607091	0.55	19
TKS/1SV11F005T	£1,563.00	7N	107607101	0.55	19.4
TKS/1SV12F007T/D	£1,621.00	7N	10760A111	0.75	26.7
TKS/1SV13F007T/D	£1,693.00	7N	10760A121	0.75	27.1
TKS/1SV15F007T/D	£1,816.00	7N	10760A141	0.75	28
TKS/1SV17F011T/D	£1,932.00	7N	10760A161	1.1	31
TKS/1SV19F011T/D	£2,058.00	7N	10760A181	1.1	31.8
TKS/1SV22F011T/D	£2,249.00	7N	10760A211	1.1	33
TKS/3SV02F003T	£1,323.00	7N	107607231	0.37	15.8
TKS/3SV03F003T	£1,382.00	7N	107607241	0.37	16.2
TKS/3SV04F003T	£1,406.00	7N	107607251	0.37	16.6
TKS/3SV05F005T	£1,422.00	7N	107607261	0.55	17
TKS/3SV06F005T	£1,443.00	7N	107607271	0.55	19.4
TKS/3SV07F007T/D	£1,502.00	7N	10760A281	0.75	19.8
TKS/3SV08F007T/D	£1,565.00	7N	10760A291	0.75	24.9
TKS/3SV09F011T/D	£1,627.00	7N	10760A301	1.1	27.4
TKS/3SV10F011T/D	£1,647.00	7N	10760A311	1.1	27.8
TKS/3SV11F011T/D	£1,689.00	7N	10760A321	1.1	28.2
TKS/3SV12F011T/D	£1,723.00	7N	10760A331	1.1	28.6
TKS/5SV02F003T	£1,357.00	7N	107607351	0.37	16.2
TKS/5SV03F005T	£1,393.00	7N	107607361	0.55	18.7
TKS/5SV04F005T	£1,446.00	7N	107607371	0.55	19.1
TKS/5SV05F007T/D	£1,480.00	7N	10760A381	0.75	24.5
TKS/5SV06F011T/D	£1,515.00	7N	10760A391	1.1	26.6
TKS/5SV07F011T/D	£1,550.00	7N	10760A401	1.1	27
TKS/5SV08F011T/D	£1,583.00	7N	10760A411	1.1	27.5
TKS/10SV01F007T/D	£1,430.00	7N	10760A421	0.75	28.4
TKS/10SV02F007T/D	£1,462.00	7N	10760A431	0.75	29.3
TKS/10SV03F011T/D	£1,588.00	7N	10760A441	1.1	32
TKS/15SV01F011T/D	£1,662.00	7N	10760A451	1.1	31.2
TKS/22SV01F011T/D	£1,707.00	7N	10760A461	1.1	31.3

Please note that every unit is supplied complete with pump, integrated drive, pressure transmitter, cable & plug  
 To enable the pump to stop on zero demand, you must fit a NRV and pressure vessel, please add the following option:

Teknospeed Accessories (single pump)	Price	Family Code	Notes
Teknospeed e-SV Hydraulic Kit (supplied loose)	£300.00	9B	Please specify e-SV pump model when ordering

For complete single and twin pump Teknospeed booster sets please see price list section C (Clean Water Packaged Sets).





# Spares, accessories and carriage

## SECTION G

## CONTENTS

### **SECTION G Spares, accessories and carriage**

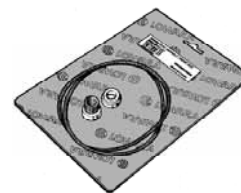
<b>Page</b>	<b>149</b>	<b>CK/CA, CEA/CEK, CO, BG/BGM/SG/SGM, SP recommended spare parts</b>
	<b>150</b>	<b>HM, HMS, P, recommended spare parts</b>
	<b>151</b>	<b>FHE/FHS, SHE/SHS recommended spare parts</b>
	<b>152</b>	<b>FCE/FCTE, FCS/FCTS recommended spare parts</b>
	<b>153</b>	<b>e-SV, SV recommended spare parts</b>
	<b>154</b>	<b>SVI, DOMO GRI recommended spare parts</b>
	<b>155</b>	<b>Pressure vessels</b>
	<b>156</b>	<b>Pressure switches</b>
	<b>156</b>	<b>Float switches</b>
	<b>156</b>	<b>Genyo series</b>
	<b>157</b>	<b>Accessories, Non-Return Valves, Strainers &amp; Hosetails</b>
	<b>158</b>	<b>Aquada Series UV units</b>
	<b>159</b>	<b>Wedeco filters</b>
	<b>160</b>	<b>Carriage and packing charges</b>

Product line images in this price list are for illustration purpose only, product may vary.  
Lowara UK reserve the right to make modifications without prior notice.



**Recommended spare parts for Lowara CK / CA**

Part Number	Family Code	Description	Price
KL01ABK	9K	Kit containing carbon / ceramic mech seal & all o-rings (FPM)	£261.00
KL01ADQ	9K	Kit containing silicon / silicon mech seal & all o-rings (FPM)	£334.00



**Recommended spare parts for Lowara CEA / CEK**

Part Number	Family Code	Description	Price
KL01ABF	9K	Kit containing 14mm standard mech seal & all o-rings (FPM)	£193.00
KL01ABE	9K	Kit containing 14mm standard mech seal & all o-rings (EPDM)	£193.00
002231206	9H	Standard carbon/ceramic/FPM 12mm seal	£121.00
002231216	9H	Antimony loaded carbon/ceramic/FPM 12mm	£234.00
002231425	9H	Antimony loaded carbon/silicon/FPM 14mm	£234.00
002231207	9H	Standard mechanical seal (EPDM) 12mm	£92.00
002231208	9H	Sil/Sil/FPM mechanical seal 12mm	£240.00
KL01ADT	9K	Kit containing 14mm Sil/Sil/FPM mech seal & all o-rings (FPM)	£262.00
002221638	9H	Casing o-ring (FPM)	£26.00
UK002111774	9K	Casing o-ring (EPDM)	£26.00
002221613	9H	Impeller neck o-ring (FPM to suit CEA70/120)	£20.00
002221621	9H	Impeller neck o-ring (FPM to suit CEA210/370)	£20.00



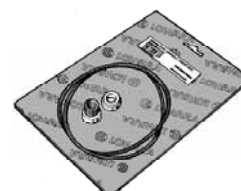
**Recommended spare parts for Lowara CO**

Part Number	Family Code	Description	Price
002231210	9H	12mm mechanical seal sil/tun/FPM	£239.00
KL01ADZ	9K	Kit containing 14mm sil/tun/FPM mech seal & all o-rings (FPM)	£334.00



**Recommended spare parts for Lowara BG / BGM / SG / SGM**

Part Number	Family Code	Description	Price
KL01AAC	9K	Kit containing 14mm standard mech seal & all o-rings (EPDM)	£163.00
002231205	9H	Standard carbon/ceramic/nbr 12mm seal	£102.00
002221774	9H	Casing o-ring	£18.00
002221831	9H	Impeller o-ring	£16.00
002221861	9H	Inlet port o-ring	£25.00
002221706	9H	Drain/fill plug o-ring	£14.00
152860270	9H	Diffuser	£26.00
150703360	YJ	Impeller SG(M)5 / BG(M)3	£73.00
150703370	YJ	Impeller SG(M)7 / BG(M)5	£83.00
150703170	ZA	Impeller SG(M)10 / BG(M)7	£87.00
150703220	ZA	Impeller SG(M)12 / BG(M)9	£93.00
150703380	YJ	Impeller SG(M)15 / BG(M)11	£93.00

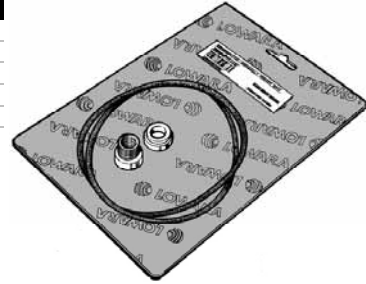


**Recommended spare parts for Lowara SP**

Part Number	Family Code	Description	Price
002225306	9H	Rotating mechanical seal (standard nitrile)	£45.00
002226003	9H	Stationary mechanical seal (standard nitrile)	£26.00
002221157	9H	Casing o-ring (nitrile)	£18.00
002225506	9H	Rotating mechanical seal (FPM)	£83.00
002226103	9H	Stationary mechanical seal (FPM)	£46.00
002222558	9H	Casing o-ring (FPM)	£24.00
160720290	YB	Impeller for SP5/SP5T	£52.00
160720300	YB	Impeller for SP7/SP7T	£58.00
002314002	9H	Motor bearing	£36.00

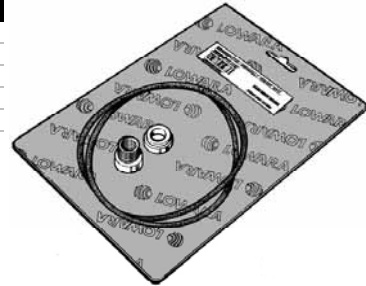
### Recommended spare parts for Lowara HM

Part Number	Family Code	Description	Price
KL01AAA	9K	Kit containing 14mm standard mech seal & all o-rings (EPDM)	£87.00
KL01AAB	9K	Kit containing 14mm mechanical seal & all o-rings (FPM)	£100.00
KL04AAA	9K	Kit containing 2 off 2HM impellers and impeller o-rings (EPDM)	£77.00
KL04AAB	9K	Kit containing 2 off 4HM impellers and impeller o-rings (EPDM)	£81.00
148992570	YM	Mechanical seal + o-ring kit (LM Motors)	£87.00



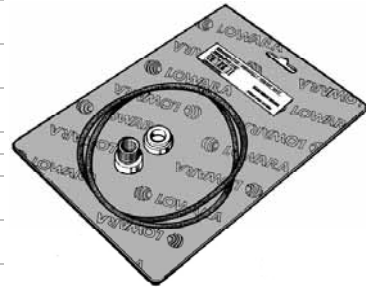
### Recommended spare parts for Lowara HMS

Part Number	Family Code	Description	Price
KL01AAA	9K	Kit containing 14mm standard mech seal & all o-rings (EPDM)	£87.00
KL01AAB	9K	Kit containing 14mm mechanical seal & all o-rings (FPM)	£100.00
KL04AAE	9K	Kit containing 2 off 2HMS impellers and impeller o-rings (EPDM)	£100.00
KL04AAG	9K	Kit containing 2 off 4HMS impellers and impeller o-rings (EPDM)	£102.00
148992570	YM	Mechanical seal + o-ring kit (LM Motors)	£87.00



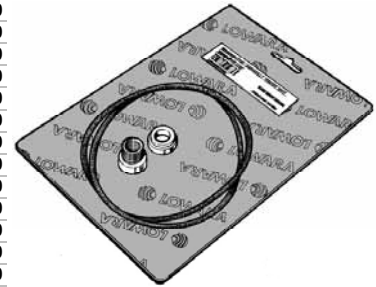
### Recommended spare parts for Lowara P

Part Number	Family Code	Description	Price
002225306	9H	Rotating mechanical seal (P16 to P40, and PS70)	£45.00
002226003	9H	Stationary mechanical seal (P16 to P40, and PS70)	£26.00
002225506	9H	Rotating mechanical seal (FPM) (P16 to P40, and PS70)	£83.00
002226103	9H	Stationary mechanical seal (FPM) (P16 to P40, and PS70)	£46.00
KL01ABQ	9K	Kit containing P30 standard mech seal & casing o-ring	£87.00
KL01ABR	9K	Kit containing P40 standard mech seal & casing o-ring	£87.00
002225309	9H	Rotating mechanical seal (P60 and P70)	£69.00
002226004	9H	Stationary mechanical seal (P60 and P70)	£38.00
UK002226000	9H	Mechanical seal HW (140°C) (P16 to P40), and PS70)	£161.00
002221610	9H	Casing o-ring (P16-P21 FPM)	£20.00
002221547	9H	Casing o-ring (P60, P70, PS70)	£26.00



### Recommended spare parts for Lowara FHE / FHS

Part Number	Family Code	Description	Price
KL01AB8	9K	Kit containing standard mech seal & o-rings (2FHE 32 sizes only)	£135.00
KL01AAN	9K	Kit containing standard 22mm mech seal and casing o-ring	£135.00
KL01AAR	9K	Kit containing standard 28mm mech seal and casing o-ring	£205.00
KL01ABU	9K	Kit containing standard 33mm mech seal and casing o-ring	£268.00
KL01AB9	9K	Kit containing car/cer/EP mech seal & o-rings (2FHE 32 sizes)	£146.00
KL01AAS	9K	Kit containing car/cer/EP 22mm mech seal and casing o-ring	£146.00
KL01AAV	9K	Kit containing car/cer/EP 28mm mech seal and casing o-ring	£217.00
KL01ABV	9K	Kit containing car/cer/EP 33mm mech seal and casing o-ring	£280.00
KL01ACB	9K	Kit containing car/cer/FPM mech seal & o-rings (2FHE 32 sizes)	£191.00
KL01AB2	9K	Kit containing car/cer/FPM 22mm mech seal and casing o-ring	£191.00
KL01AB3	9K	Kit containing car/cer/FPM 28mm mech seal and casing o-ring	£261.00
KL01AB4	9K	Kit containing car/cer/FPM 33mm mech seal and casing o-ring	£324.00
KL01AB5	9K	Kit containing sic/sic/FPM 22mm mech seal and casing o-ring	£413.00
KL01AB6	9K	Kit containing sic/sic/FPM 28mm mech seal and casing o-ring	£611.00
KL01AB7	9K	Kit containing sic/sic/FPM 33mm mech seal and casing o-ring	£633.00

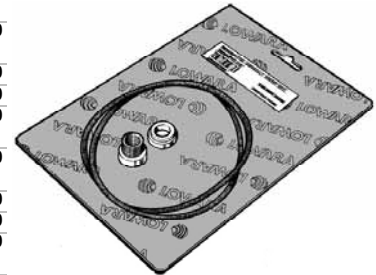


#### Usage of FHE/FHS mech seals

22mm	32-125, 32-160, 32-200 40-125, 40-160, 40-200, 40-250 (except 150) 50-125, 50-160, 50-200 65-125, 65-160/92 & 110A
28mm	40-250/150 50-250 65-160/110 & 150, 65-200, 65-250 80-160, 80-200, 80-250/370
33mm	80-250/450 & 550

### Recommended spare parts for Lowara SHE / SHS

Part Number	Family Code	Description	Price
KL01AA0	9K	Kit containing standard 22mm mech seal and casing o-ring (32-125, 40-125, 32-160, 40-160, 50/125, 32-200, 40-200, 50-160)	£162.00
KL01AA3	9K	Kit containing standard 22mm mech seal and casing o-ring (to suit all other 22mm sizes, see below)	£162.00
KL01ACL	9K	Kit containing standard 28mm mech seal and casing o-ring	£182.00
KL01ACM	9K	Kit containing standard 33mm mech seal and casing o-ring	£219.00
KL01ACN	9K	Kit containing sic/sic/FPM 22mm mech seal and casing o-ring (32-125, 40-125, 32-160, 40-160, 50/125, 32-200, 40-200, 50-160)	£353.00
KL01ACP	9K	Kit containing sic/sic/FPM 22mm mech seal and casing o-ring (to suit all other 22mm sizes, see below)	£353.00
KL01ACQ	9K	Kit containing sic/sic/FPM 28mm mech seal and casing o-ring	£540.00
KL01ACR	9K	Kit containing sic/sic/FPM 33mm mech seal and casing o-ring	£661.00
KL01ACW	9K	Kit containing sic/sic/EP 22mm mech seal and casing o-ring (32-125, 40-125, 32-160, 40-160, 50/125, 32-200, 40-200, 50-160)	£311.00
KL01ACX	9K	Kit containing sic/sic/EP 22mm mech seal and casing o-ring (to suit all other 22mm sizes, see below)	£311.00
KL01ACY	9K	Kit containing sic/sic/EP 28mm mech seal and casing o-ring	£482.00
KL01ACZ	9K	Kit containing sic/sic/EP 33mm mech seal and casing o-ring	£594.00
KL01ACS*	9K	Kit containing 22mm car/cer/EP mech seal and casing o-ring (32-125, 40-125, 32-160, 40-160, 50/125, 32-200, 40-200, 50-160)	£182.00
KL01ACT*	9K	Kit containing 22mm car/cer/EP mech seal and casing o-ring (to suit all other 22mm sizes, see below)	£182.00
KL01ACU*	9K	Kit containing 28mm car/cer/EP mech seal and casing o-ring	£250.00
KL01ACV*	9K	Kit containing 33mm car/cer/EP mech seal and casing o-ring	£314.00



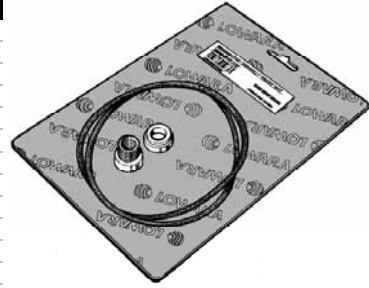
\* WRAS Approved

#### Usage of SHE/SHS mech seals

22mm	SH 25 & 32 series SH 40-125, SH 40-160, SH 40-200 SH 40-250 (except 150) / SH4 40-250/15 SH 50-125, SH 50-160, SH 50-200 SHS 65-160 (not 110 or SHS4 65-160/15)
28mm	SH 40-250/150 / SH4 40-250/22 SH 50-250 SH 65-160/110 / SH4 65-160/15 SH 65-200 SH 80-160 SH 80-200/220
33mm	SH 65-250 SH 80-200/300 & SH80-200/370

## Recommended spare parts for Lowara FCE / FCTE

Part Number	Family Code	Description	Price
KL01AAS	9K	Kit containing one standard 22mm mech seal & casing o-ring	£146.00
KL01AAV	9K	Kit containing one standard 28mm mech seal & casing o-ring	£217.00
KL01ABV	9K	Kit containing one standard 33mm mech seal & casing o-ring	£280.00
KL01AB2	9K	Kit containing one car/cer/FPM 22mm mech seal & casing o-ring	£191.00
KL01AB3	9K	Kit containing one car/cer/FPM 28mm mech seal & casing o-ring	£261.00
KL01AB4	9K	Kit containing one car/cer/FPM 33mm mech seal & casing o-ring	£324.00
KL01ABZ	9K	Kit containing one sic/sic/EP 22mm mech seal & casing o-ring	£233.00
KL01AB0	9K	Kit containing one sic/sic/EP 28mm mech seal & casing o-ring	£348.00
KL01AB1	9K	Kit containing one sic/sic/EP 33mm mech seal & casing o-ring	£510.00
KL01AB5	9K	Kit containing one sic/sic/FPM 22mm mech seal & casing o-ring	£413.00
KL01AB6	9K	Kit containing one sic/sic/FPM 28mm mech seal & casing o-ring	£611.00
KL01AB7	9K	Kit containing one sic/sic/FPM 33mm mech seal & casing o-ring	£633.00

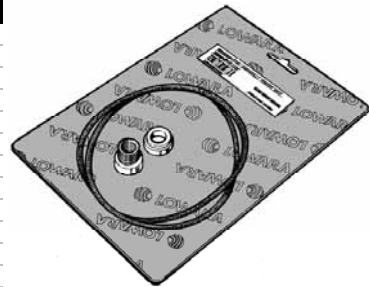


### Usage of FCE/FCTE mech seals

22mm	FCE/FCTE 40 series 50-125, 50-160, 50-200 & 50-250 (except 150) & 4 pole 50-250/15 65-125, 65-160, 65-200 80-125, 80-160
28mm	50-250/150 & 4 pole 50-250/22 65-250 80-200, 80-250 100-160, 100-200, 100-250/40
33mm	100-250/55 & 100-250/75

## Recommended spare parts for Lowara FCS / FCTS

Part Number	Family Code	Description	Price
KL01ACD	9K	Kit containing one standard 22mm mech seal and casing o-ring	£198.00
KL01ACE	9K	Kit containing one standard 28mm mech seal and casing o-ring	£325.00
KL01ACF	9K	Kit containing one standard 33mm mech seal and casing o-ring	£433.00
KL01AB2	9K	Kit containing one car/cer/FPM 22mm mech seal & casing o-ring	£191.00
KL01AB3	9K	Kit containing one car/cer/FPM 28mm mech seal & casing o-ring	£261.00
KL01AB4	9K	Kit containing one car/cer/FPM 33mm mech seal & casing o-ring	£324.00
KL01ABZ	9K	Kit containing one sic/sic/EP 22mm mech seal & casing o-ring	£233.00
KL01AB0	9K	Kit containing one sic/sic/EP 28mm mech seal & casing o-ring	£348.00
KL01AB1	9K	Kit containing one sic/sic/EP 33mm mech seal & casing o-ring	£510.00
KL01AB5	9K	Kit containing one sic/sic/FPM 22mm mech seal & casing o-ring	£413.00
KL01AB6	9K	Kit containing one sic/sic/FPM 28mm mech seal & casing o-ring	£611.00
KL01AB7	9K	Kit containing one sic/sic/FPM 33mm mech seal & casing o-ring	£633.00

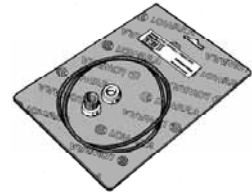


### Usage of FCS/FCTS mech seals

22mm	FCS/FCTS 40 series 50-125, 50-160, 50-200 & 50-250 (except 150) & 4 pole 50-250/15 65-125, 65-160, 65-200 80-125, 80-160
28mm	50-250/150 & 4 pole 50-250/22 65-250 80-200, 80-250 100-160, 100-200, 100-250/40
33mm	100-250/55 & 100-250/75

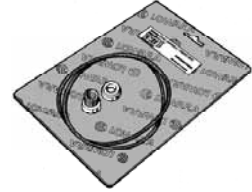
### Recommended spare parts for Lowara e-SV1-3-5

Part Number	Family Code	Description	Price
KL01AAD	9K	Kit containing standard mech seal and 2 off main body o-rings	£141.00
KL01AC7	9K	Kit containing sic/sic/EPDM mech seal & 2 off main body o-rings	£205.00
KL01AAG	9K	Kit containing sic/car/FPM mech seal and 2 off main body o-rings	£199.00
KL01AC9	9K	Kit containing sic/sic/FPM mech seal and 2 off main body o-rings	£292.00
KL02AA1	9K	o-ring kit (EPDM)	£81.00
KL02AA2	9K	o-ring kit (FPM)	£109.00



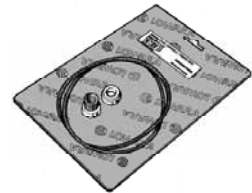
### Recommended spare parts for Lowara e-SV10-15-22

Part Number	Family Code	Description	Price
KL01AAE	9K	Kit containing standard mech seal and 2 off main body o-rings suitable for 10-15-22SV ≤4kW	£187.00
KL01AD7	9K	Kit containing standard mech seal & upper holder o-ring suitable for 10-15-22SV ≥5.5kW	£202.00
KL01AC8	9K	Kit containing sic/sic/EPDM mech seal & 2 off main body o-rings	£322.00
KL01AAH	9K	Kit containing sic/car/FPM mech seal and 2 off main body o-rings	£246.00
KL01ADA	9K	Kit containing sic/sic/FPM mech seal and 2 off main body o-rings	£350.00
KL02AA4	9K	o-ring kit (EPDM)	£81.00
KL02AA5	9K	o-ring kit (FPM)	£109.00



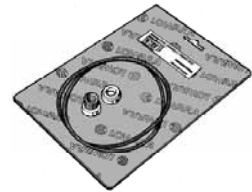
### Recommended spare parts for Lowara e-SV33-46-66-92-125

Part Number	Family Code	Description	Price
KL01AC0	9K	Kit containing sic / carbon mech seal & seal plate o-ring (EPDM)	£204.00
KL01AC1	9K	Kit containing sic / sic mech seal & seal plate o-ring (EPDM)	£376.00
KL01AC2	9K	Kit containing sic / carbon mech seal & seal plate o-ring (FPM)	£264.00
KL01AC3	9K	Kit containing sic / sic mech seal & seal plate o-ring (FPM)	£405.00
KL02AAA	9K	SV33-46 o-ring kit (EPDM) all stages	£123.00
KL02AAD	9K	SV33-46 o-ring kit (FPM) up to 10 stages	£146.00
KL02AAE	9K	SV33-46 o-ring kit (FPM) 11 - 13 stages	£158.00
KL02AAC	9K	SV66-92-125 o-ring kit (EPDM)	£123.00
KL02AAF	9K	SV66-92-125 o-ring kit (FPM)	£158.00
KL41AAA	9K	SV33 thrust drum kit (EPDM)	£203.00
KL41AAB	9K	SV46 thrust drum kit (EPDM)	£231.00
KL41AAC	9K	SV66-92 thrust drum kit (EPDM)	£271.00



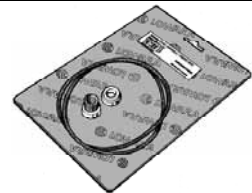
### Recommended spare parts for Lowara SV2

Part Number	Family Code	Description	Price
KL01AAD	9K	Kit containing standard mech seal and 2 off main body o-rings	£141.00
150702160	ZA	impeller	£36.00
148992180	XC	diffuser and bush kit	£120.00
148992220	XC	diffuser and bush kit (316 stainless steel 'N' version)	£153.00
148992000	XC	o-ring kit	£78.00



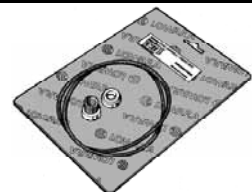
### Recommended spare parts for Lowara SV4

Part Number	Family Code	Description	Price
KL01AAD	9K	Kit containing standard mech seal and 2 off main body o-rings	£141.00
150702170	ZA	impeller	£37.00
148992180	XC	diffuser and bush kit	£120.00
148992220	XC	diffuser and bush kit (316 stainless steel 'N' version)	£153.00
148992000	XC	o-ring kit	£78.00



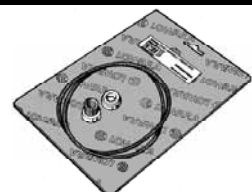
### Recommended spare parts for Lowara SV8

Part Number	Family Code	Description	Price
KL01AAE	9K	Kit containing standard mech seal and 2 off main body o-rings	£187.00
150702180	ZA	impeller	£56.00
148992190	XC	diffuser and bush kit	£174.00
148992230	XC	diffuser and bush kit (316 stainless steel 'N' version)	£214.00
148992020	XC	o-ring kit	£78.00



### Recommended spare parts for Lowara SV16

Part Number	Family Code	Description	Price
KL01AAE	9K	Kit containing standard mech seal and 2 off main body o-rings	£187.00
150702190	ZA	impeller	£62.00
148992200	XC	diffuser and bush kit	£181.00
148992240	XC	diffuser and bush kit (316 stainless steel 'N' version)	£220.00
148992030	XC	o-ring kit	£78.00



### Recommended spare parts for Lowara SVI2

Part Number	Family Code	Description	Price
002231241	9H	Mechanical seal complete (FPM)	£145.00
148992070	XC	o-ring kit (FPM)	£116.00
150702160	ZA	Impeller	£36.00
148992180	XC	Diffuser and bush kit	£120.00

### Recommended spare parts for Lowara SVI4

Part Number	Family Code	Description	Price
002231241	9H	Mechanical seal complete (FPM)	£145.00
148992070	XC	o-ring kit (FPM)	£116.00
150702170	ZA	Impeller	£37.00
148992180	XC	Diffuser and bush kit	£120.00

### Recommended spare parts for Lowara SVI8

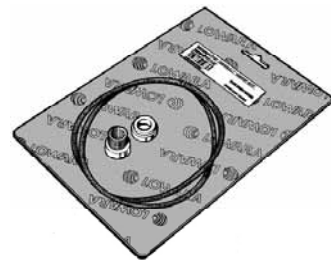
Part Number	Family Code	Description	Price
002231641	9H	Mechanical seal complete (FPM)	£250.00
002222534	9H	Impeller neck o-ring (Qty x No. of impellers)	£20.00
150702180	ZA	Impeller	£56.00
148992190	XC	Diffuser and bush kit	£174.00

### Recommended spare parts for Lowara SVI16

Part Number	Family Code	Description	Price
002231641	9H	Mechanical seal complete (FPM)	£250.00
002222629	9H	Impeller neck o-ring (Qty x No. of impellers)	£26.00
150702190	ZA	Impeller	£62.00
148992200	XC	Diffuser and bush kit	£181.00

### Recommended spare parts for Lowara DOMO GRI

Part Number	Family Code	Description	Price
KL01AA7	9K	Mechanical seal and o-ring kit	£63.00
KL57AAA	9K	Cutter and impeller kit	£309.00



### Expansion Tanks with Fixed Diaphragms

For water up to 70°C. WRAS approved and built to 97/23/EC.



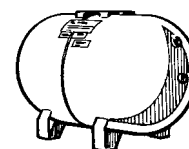
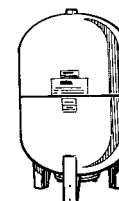
Size	Price	Family Code	Part Number	kg
<b>Vertical (10 bar rated)</b>				
5 LV	£42.00	9N	UK11A0000503	5
8 LV	£47.00	9N	UK11A0000814	5
18 LV	£65.00	9N	UK11A0001801	5
<b>Stainless steel (10 bar rated)</b>				
2 LV	£96.00	9N	UK11B0000200	1
8 LV	£137.00	9N	UK11B0000800	2
24 LV	£284.00	9N	106110660	6
24 LH	£312.00	9N	UK1110002402	10

### Expansion Tanks with Interchangeable Membranes & Stainless Steel Flanges

For water up to 70°C. WRAS approved and built to 97/23/EC.

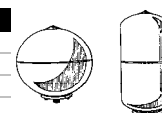


Size	Price	Family Code	Part Number	kg
<b>Vertical (10 bar rated)</b>				
24 LV	£74.00	9N	UK1100002419	8
60 LV	£209.00	9N	UK1100006043	19
80 LV	£259.00	9N	UK1100008024	21
100 LV	£323.00	9N	UK1100010037	23
200 LV	£537.00	9N	UK1100020039	62
300 LV	£642.00	9N	UK1100030031	65
500 LV	£1,070.00	9N	UK1100050027	97
750 LV	£1,990.00	9N	UK1100075028	222
1000 LV (8 bar maximum working pressure)	£3,280.00	9N	UK1100100026	296
<b>Horizontal (10 bar rated)</b>				
24 LH	£74.00	9N	UK1100002498	8
50 LH	£199.00	9N	UK1100005062	16
60 LH	£209.00	9N	UK1100006044	18
80 LH	£259.00	9N	UK1100008025	21
100 LH	£323.00	9N	UK1100010038	22
200 LH	£537.00	9N	UK1100020040	62
300 LH	£642.00	9N	UK1100030032	79
<b>16 bar rated</b>				
24 litre (horizontal)	£223.00	9N	UK11000024G8	15
24 litre (vertical)	£165.00	9N	UK11000024G7	15
100 litre (vertical)	£649.00	9N	UK1100010039	39
200 litre (vertical)	£1,018.00	9N	UK1100020041	69
300 litre (vertical)	£1,212.00	9N	UK1100030033	89
500 litre (vertical)	£1,794.00	9N	UK1100050028	135
750 litre (vertical)	£6,167.00	9N	UK1100075061	310
1000 litre (vertical)	£7,371.00	9N	UK1100100060	415



### Expansion Tanks for Cold Water (not WRAS Approved)

Type	Price	Family Code	Part Number	Type	kg
Hydrotube 24 litre (10 bar rated)	£79.00	9N	106111180	vertical	5
Hydrosphere 24 litre (8 bar rated)	£76.00	9N	106111280	vertical	5
Stainless Steel Hydrosphere 24 litre (10 bar rated)	£163.00	9N	106110150	vertical	5
Hydrotube 20 litre (25 bar rated)	£435.00	9N	106110590	vertical	5



### 25 Bar Expansion Tanks for Water up to 70°C (not WRAS Approved)

Type	Price	Family Code	Part Number	Capacity
DE8	£206.00	9N	UK7290100	8 litre
DE80	£4,699.00	9N	UK7317600	80 litre
DE120	£5,474.00	9N	UK7317700	120 litre
DE180	£6,286.00	9N	UK7313500	180 litre
DE300	£7,599.00	9N	UK7313800	300 litre
DE400	£8,898.00	9N	UK7313300	400 litre
DE600	£10,541.00	9N	UK7321500	600 litre
DE800	£12,766.00	9N	UK7321200	800 litre
DE1000	£16,581.00	9N	UK7321000	1000 litre

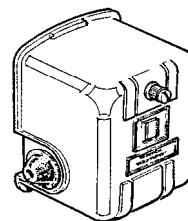
### Expansion Tanks (maximum working pressure 10 Bar) - Series AFE

Type	Price	Family Code	Part Number	Capacity
AFE 1500 (1000 x 2130mm 2½" Gas connection)	£5,108.00	9N	UK621500	1500 litre
AFE 2000 (1100 x 2550mm DN65 connection)	£8,670.00	9N	UK622000	2000 litre
AFE 2500 (1100 x 2850mm DN65 connection)	£12,232.00	9N	UK622500	2500 litre
AFE 3000 (1250 x 2930mm DN65 connection)	£13,253.00	9N	UK623000	3000 litre
AFE 4000 (1450 x 3050mm DN65 connection)	£19,141.00	9N	UK624000	4000 litre
AFE 5000 (1450 x 3780mm DN65 connection)	£22,657.00	9N	UK625000	5000 litre

Carriage and off-loading on AFE series tanks needs to be arranged per order (at extra cost).

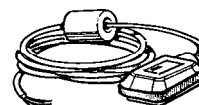
## Pressure Switches

Type	Price	Family Code	Part Number	Description
Pressure switch FSG2	£23.00	9L	002161101	Square D 4.6 bar
Pressure switch FYG22	£44.00	9L	002161200	Square D 7 bar
Pressure switch FYG32	£46.00	9L	002161201	Square D 10 bar
Pressure switch	£69.00	9H	UKKPI35	Danfoss 0.2-8 bar
Pressure switch	£118.00	9H	UKKPI36	Danfoss 4-12 bar



## Float Switches

Type	Price	Family Code	Part Number
Key W floatswitch plus 5 metres of cable	£44.00	9L	109690190
Key W floatswitch plus 10 metres of cable	£50.00	9L	109690200
Key W floatswitch plus 20 metres of cable	£67.00	9L	109690204

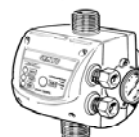


Sewage floatswitch RDN10 plus 10 metres of cable	£119.00	9J	159260380
Sewage floatswitch RDN10 plus 13 metres of cable	£123.00	9J	159260390
Sewage floatswitch RDN10 plus 15 metres of cable	£130.00	9J	159260400
Sewage floatswitch RDN10 plus 20 metres of cable	£134.00	9J	159260410
Sewage floatswitch RDN10 plus 30 metres of cable	£156.00	9J	159260420
Sewage floatswitch RDN10 plus 50 metres of cable	£177.00	9J	159260430



## Pump control & protection - Series GENYO

Type	Price	Family Code	Part Number
<b>Version without cable</b>			
GENYO 8A F12	£96.00	7Q	109120160
GENYO 8A F15	£96.00	7Q	109120170
GENYO 8A F22	£96.00	7Q	109120180
GENYO 16A R15-30	£132.00	7Q	109120210
GENYO Extension Bush (required when fitting a GENYO 16A to the HM/HMS range of pumps)	£16.00	9H	002671374



GENYO 8



GENYO 16

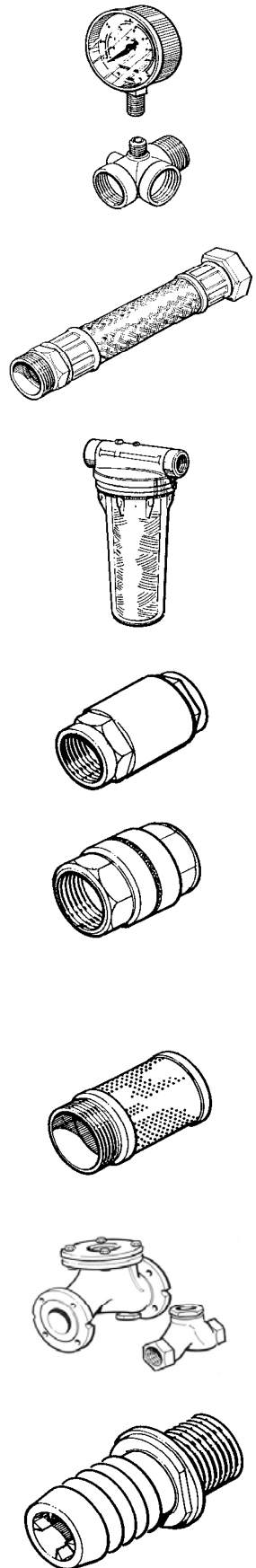
Suitable for 220-240v single phase, 50/60Hz. Inlet-Outlet connections 1". Operating temperature 0-60°C.

Fitting charge to fit a Genyo to any suitable pump: **£40.00**.



### Accessories

Type	Price	Family Code	Part Number	Description
Pressure gauge	£14.00	9L	002110201	6 bar
Pressure gauge	£16.00	9L	002110242	10 bar
Pressure gauge	£24.00	9L	002110243	16 bar
Pressure gauge	£28.00	9L	002110244	25 bar
Pressure gauge	£34.00	9L	002110245	40 bar
<hr/>				
5 way connector	£16.00	9H	167320240	stamped brass
<hr/>				
Flexible connector	£35.00	9L	UK910000201	¾" tube length 200mm
Flexible connector	£35.00	9L	002542005	1" tube length 200mm
Flexible connector	£44.00	9L	002542003	1" tube length 450mm
Flexible connector	£70.00	9L	002542004	1" tube length 700mm
Flexible connector	£45.00	9L	002542006	1" tube length 440mm with bend
<hr/>				
Flow filter 1" washable	£51.00	9F	105241330	washable
Flow filter 1" disposable	£41.00	9F	105241320	disposable
Flow filter ¾" washable	£51.00	9F	105241230	washable
Flow filter ¾" disposable	£41.00	9F	105241220	disposable
<hr/>				
Flow filter elements for above	£11.00	9L	185240140	disposable
Flow filter elements for above	£23.00	9L	185240110	washable
Flow filter elements for above	£26.00	9L	185240130	activated carbon
<hr/>				
Non-return valve 1"	£27.00	9H	002675029	brass male/female
Non-return valve 1½"	£35.00	9H	002675033	brass male/female
Non-return valve 1½"	£47.00	9H	002675043	brass male/female
Non-return valve 1"	£27.00	9H	002675005	brass female/female
Non-return valve 1½"	£35.00	9H	002675068	brass female/female
Non-return valve 1½"	£47.00	9H	002675007	brass female/female
<hr/>				
Non-return valve ½"	£39.00	9H	002675218	304 stainless steel
Non-return valve ¾"	£47.00	9H	002675284	304 stainless steel
Non-return valve 1"	£52.00	9H	002675285	304 stainless steel
Non-return valve 1½"	£76.00	9H	002675286	304 stainless steel
Non-return valve 1½"	£81.00	9H	002675287	304 stainless steel
Non-return valve 2"	£158.00	9H	002675288	304 stainless steel
Non-return valve 2½"	£342.00	9H	002675289	304 stainless steel
Non-return valve 3"	£516.00	9H	002675292	304 stainless steel
Non-return valve 4"	£603.00	9H	002675283	304 stainless steel
<hr/>				
The following strainers can be screwed to the non-return valves above to make foot valve and strainers:				
Strainer ½"	£15.00	9L	002675252	304 stainless steel
Strainer ¾"	£20.00	9L	002675253	304 stainless steel
Strainer 1"	£24.00	9L	002675254	304 stainless steel
Strainer 1½"	£35.00	9L	002675255	304 stainless steel
Strainer 1½"	£42.00	9L	002675256	304 stainless steel
Strainer 2"	£47.00	9L	002675257	304 stainless steel
Strainer 2½"	£81.00	9L	002675258	304 stainless steel
Strainer 3"	£91.00	9L	002675259	304 stainless steel
Strainer 4"	£105.00	9L	002675261	304 stainless steel
<hr/>				
NRV (ball type) 1½"	£128.00	9L	109790570	threaded
NRV (ball type) 1½"	£131.00	9L	109790590	threaded
NRV (ball type) 2"	£142.00	9L	109790550	threaded
NRV (ball type) 3"	£476.00	9L	109790580	flanged
NRV (ball type) 4"	£662.00	9L	109790820	flanged
NRV (ball type) 6"	£923.00	9L	109790840	flanged
<hr/>				
Hosetail ¾" Thread / 1" Barb	£19.00	9L	UK910000061	plastic
Hosetail 1" Thread / 1" Barb	£19.00	9L	UK910000026	plastic
Hosetail 1" Thread / 1¼" Barb	£20.00	9L	UK910000027	plastic
Hosetail 1¼" Thread / 1" Barb	£20.00	9L	UK910000023	plastic
Hosetail 1¼" Thread / 1¼" Barb	£20.00	9L	UK910000024	plastic
Hosetail 1¼" Thread / 1½" Barb	£20.00	9L	UK910000025	plastic
Hosetail 1½" Thread / 1¼" Barb	£24.00	9L	UK910000028	plastic
Hosetail 1½" Thread / 1½" Barb	£24.00	9L	UK910000046	plastic
Hosetail 2" Thread / 2" Barb	£28.00	9L	UK910000062	plastic



**Standard discounts do not apply to this page - please check with sales office.**

## Wedeco UV Units - Series Aquada

UV Unit Type	Price	Family Code	Part Number	Flow* (m <sup>3</sup> /h)
<b>Single phase (230/1/50)</b>				
<b>Altima</b>				
Aquada 1	£363.00	6M	UK76403520	1.0
Aquada 2	£423.00	6M	UK76403521	2.5
Aquada 4	£780.00	6M	UK76403522	4.3
Aquada 7	£1,410.00	6M	UK76403523	9.0
Aquada 10	£1,638.00	6M	UK76403524	13.4
<b>Proxima</b>				
Aquada 1	£549.00	6M	UK76403600	1.0
Aquada 2	£632.00	6M	UK76403601	2.5
Aquada 4	£903.00	6M	UK76403602	4.3
Aquada 7	£1,617.00	6M	UK76403603	9.0
Aquada 10	£1,962.00	6M	UK76403604	13.4
<b>Maxima</b>				
Aquada 1	£903.00	6M	UK76403700	1.0
Aquada 2	£980.00	6M	UK76403701	2.5
Aquada 4	£1,226.00	6M	UK76403702	4.3
Aquada 7	£2,006.00	6M	UK76403703	9.0
Aquada 10	£2,340.00	6M	UK76403704	13.4

\* Flow rate based on delivering a 300J/m<sup>2</sup> calculated UV dose at 98% UV Transmission

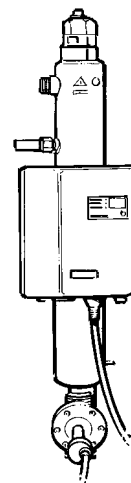
Aquada options	Price	Family Code	Part Number
Volt Free Contacts (Proxima & Maxima only)	£91.00	6M	UK402102
Solenoid Valve for Aquada 1	£111.00	6M	UK37304
Solenoid Valve for Aquada 2 & 4	£175.00	6M	UK37305
Solenoid Valve for Aquada 7	£313.00	6M	UK37306
Solenoid Valve for Aquada 10	£506.00	6M	UK37308

Aquada spares	Price	Family Code	Part Number
<b>Lamps</b>			
NLR 1825 WS UV Lamp (Aquada 1)	£65.00	6M	UK37085
NLR 1845 WS UV Lamp (Aquada 2 & 4)	£71.00	6M	UK37086
NLR 1880 WS UV Lamp (Aquada 7 & 10)	£77.00	6M	UK37087

<b>Quartz sleeves</b>			
Quartz Sleeve for Aquada 1 (inc. O-Ring)	£27.00	6M	UK703321
Quartz Sleeve for Aquada 2 & 4 (inc. O-Ring)	£29.00	6M	UK703322
Quartz Sleeve for Aquada 7 & 10 (inc. O-Ring)	£46.00	6M	UK703323
Quartz O-Ring seal (3 pieces) for all Aquada units	£9.00	6M	UK41268

<b>Miscellaneous</b>			
Replacement UV sensor (Maxima versions only)	£468.00	6M	UK37250
Replacement lamp cable assembly (complete)	£40.00	6M	UK37126
Replacement head piece/quartz clamp	£6.00	6M	UK36538
Replacement quartz window for UV sensor	£75.00	6M	UK703324

<b>Replacement control boxes</b>			
Replacement control box Aquada 1 Altima	£255.00	6M	UK76760647
Replacement control box Aquada 2 Altima	£268.00	6M	UK76760648
Replacement control box Aquada 4 Altima	£268.00	6M	UK76760649
Replacement control box Aquada 7 Altima	£408.00	6M	UK76760650
Replacement control box Aquada 10 Altima	£408.00	6M	UK76760651
Replacement control box Aquada 1 Proxima	£403.00	6M	UK76760652
Replacement control box Aquada 2 Proxima	£430.00	6M	UK76760653
Replacement control box Aquada 4 Proxima	£430.00	6M	UK76760654
Replacement control box Aquada 7 Proxima	£644.00	6M	UK76760655
Replacement control box Aquada 10 Proxima	£644.00	6M	UK76760656
Replacement control box Aquada 1 Maxima	£671.00	6M	UK76760682
Replacement control box Aquada 2 Maxima	£671.00	6M	UK76760683
Replacement control box Aquada 4 Maxima	£724.00	6M	UK76760684
Replacement control box Aquada 7 Maxima	£724.00	6M	UK76760685
Replacement control box Aquada 10 Maxima	£1,022.00	6M	UK76760686



**Standard discounts do not apply to this page - please check with sales office.**

Standard discounts do not apply to this page - please check with sales office.



### Wedeco Filters

Feature	UV Unit	Price	Family Code	Part Number
<b>BLUE HOUSING</b>				
	Standard 10" Blue housing ¾" ports	£55.00	6M	UK76402071
	Standard 10" Blue housing 1" ports	£80.00	6M	UK76402072
	Standard 20" Blue housing ¾" ports	£88.00	6M	UK76402073
	Standard 20" Blue housing 1" ports	£112.00	6M	UK76402074
<b>FILTER CARTRIDGE</b>				
	10" wound cartridge 1µ	£7.00	6M	UK76402085
	10" wound cartridge 5µ	£7.00	6M	UK76402089
	10" wound cartridge 10µ	£7.00	6M	UK76402084
	10" wound cartridge 25µ	£7.00	6M	UK76402087
	10" wound cartridge 50µ	£7.00	6M	UK76402088
	10" wound cartridge 100µ	£7.00	6M	UK76402083
	20" wound cartridge 1µ	£13.00	6M	UK76402093
	20" wound cartridge 5µ	£13.00	6M	UK76402097
	20" wound cartridge 10µ	£13.00	6M	UK76402092
	20" wound cartridge 25µ	£13.00	6M	UK76402095
	20" wound cartridge 50µ	£13.00	6M	UK76402096
	20" wound cartridge 100µ	£13.00	6M	UK76402091
<b>BIG BLUE HOUSING</b>				
	Big Blue 10" cartridge housing ¾" ports	£125.00	6M	UK76402059
	Big Blue 10" cartridge housing 1" ports	£125.00	6M	UK76402060
	Big Blue 10" cartridge housing 1½" ports	£125.00	6M	UK76402061
	Big Blue 20" cartridge housing ¾" ports	£177.00	6M	UK76402062
	Big Blue 20" cartridge housing 1" ports	£177.00	6M	UK76402063
	Big Blue 20" cartridge housing 1½" ports	£177.00	6M	UK76402064
<b>BIG BLUE FILTER CARTRIDGE</b>				
	Big Blue 10" wound cartridge 1µ	£28.00	6M	UK76402044
	Big Blue 10" wound cartridge 5µ	£28.00	6M	UK76402048
	Big Blue 10" wound cartridge 10µ	£28.00	6M	UK76402043
	Big Blue 10" wound cartridge 25µ	£28.00	6M	UK76402046
	Big Blue 10" wound cartridge 50µ	£28.00	6M	UK76402047
	Big Blue 10" wound cartridge 100µ	£28.00	6M	UK76402042
	Big Blue 20" wound cartridge 1µ	£55.00	6M	UK76402051
	Big Blue 20" wound cartridge 5µ	£55.00	6M	UK76402055
	Big Blue 20" wound cartridge 10µ	£55.00	6M	UK76402050
	Big Blue 20" wound cartridge 25µ	£55.00	6M	UK76402053
	Big Blue 20" wound cartridge 50µ	£55.00	6M	UK76402054
	Big Blue 20" wound cartridge 100µ	£55.00	6M	UK76402049
<b>BIG BLUE BAG FILTER HOUSING</b>				
	Big Blue 10" bag filter housing 1" ports	£298.00	6M	UK76402065
	Big Blue 10" bag filter housing 1½" ports	£308.00	6M	UK76402066
	Big Blue 20" bag filter housing 1" ports	£341.00	6M	UK76402067
	Big Blue 20" bag filter housing 1½" ports	£353.00	6M	UK76402068
<b>FILTER BAG</b>				
	Big Blue 10" bag 1µ	£9.00	6M	UK76402029
	Big Blue 10" bag 5µ	£9.00	6M	UK76402033
	Big Blue 10" bag 10µ	£9.00	6M	UK76402027
	Big Blue 10" bag 25µ	£9.00	6M	UK76402031
	Big Blue 10" bag 50µ	£9.00	6M	UK76402032
	Big Blue 10" bag 100µ	£9.00	6M	UK76402026
	Big Blue 10" bag 200µ	£9.00	6M	UK76402030
	Big Blue 20" bag 1µ	£11.00	6M	UK76402037
	Big Blue 20" bag 5µ	£11.00	6M	UK76402041
	Big Blue 20" bag 10µ	£11.00	6M	UK76402035
	Big Blue 20" bag 25µ	£11.00	6M	UK76402039
	Big Blue 20" bag 50µ	£11.00	6M	UK76402040
	Big Blue 20" bag 100µ	£11.00	6M	UK76402034
	Big Blue 20" bag 200µ	£11.00	6M	UK76402038
<b>FILTER ACCESSORIES</b>				
	Filter housing spanner for standard blue housing	£10.00	6M	UK76402090
	Filter housing spanner for big blue housings	£14.00	6M	UK76402099
	Wall mounting bracket for standard blue housing	£12.00	6M	UK76402056
	Wall mounting bracket for Big Blue housings	£55.00	6M	UK76402058
	Standard Big Blue 10" & 20" o-ring (NO10&20-ORING-BUNA)	£3.38	6M	UK06402081
	Big Blue 10" & 20" o-ring (BB-ORING-BUNA)	£9.98	6M	UK06402082

Standard discounts do not apply to this page - please check with sales office.

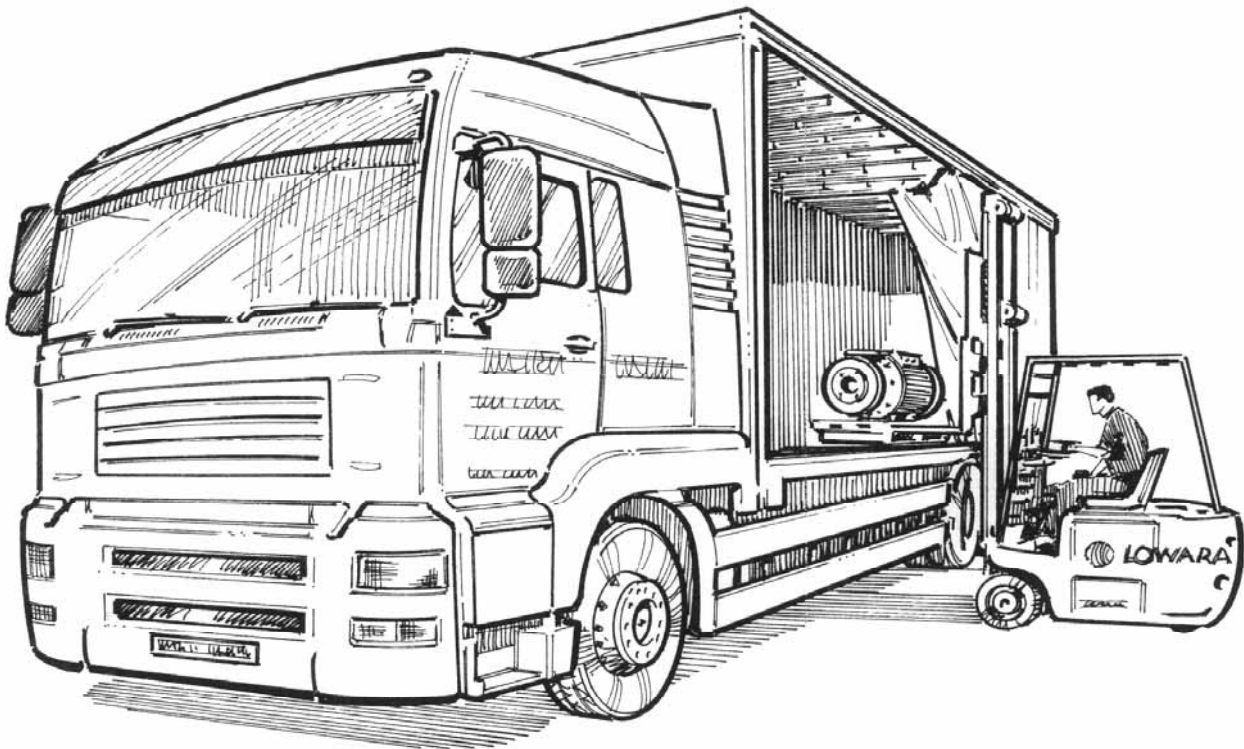
## Carriage & Packaging Charges

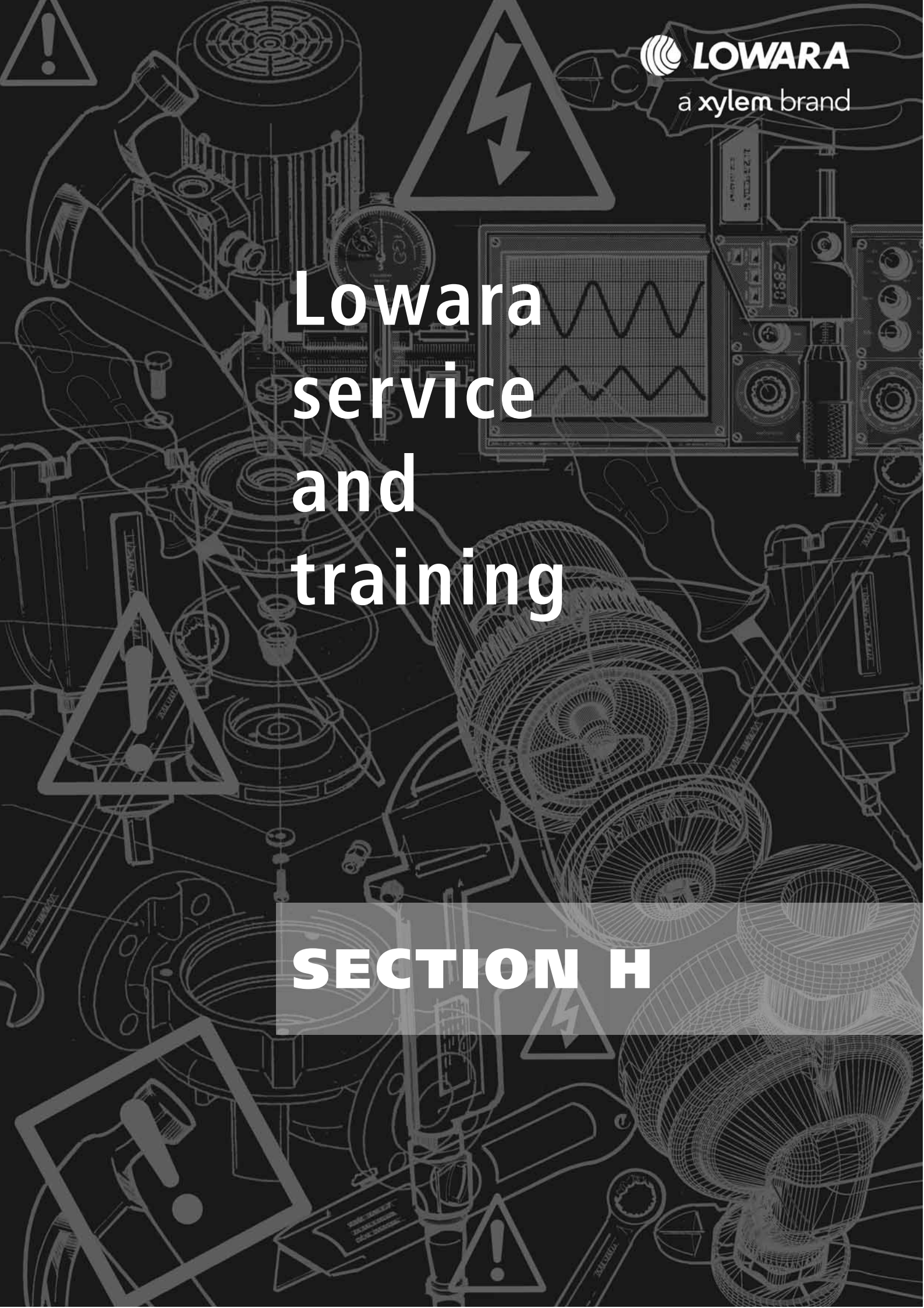
UK Mainland and Isle of Wight only  
 Prices shown are total payable not additional

Weight (kg)	3 Day	Next Day	Next Day before 1pm	Next Day before 10.00am	Next Day Saturday before 1pm
0 to 30	£14.00	£16.00	£26.00	£85.00	£73.00
31 to 50	£22.00	£26.00	£44.00	£108.00	£90.00
51 to 100	£55.00	£61.00	£85.00	£144.00	£132.00
101 to 300	£108.00	£120.00	£191.00	£250.00	£238.00
301 to 500	£168.00	£191.00	£343.00	£380.00	£368.00
Above 500	P.O.A.	P.O.A.	P.O.A.	P.O.A.	P.O.A.

All above carriage and packing charge prices are NETT

LOSS OR DAMAGE IN TRANSIT – When the price quoted includes delivery other than at our works, we will repair or at our option replace free of charge goods lost or damaged in transit; provided that we are given written notification of such loss or damage within such times as will enable us to comply with the carrier's conditions of carriage as affecting loss or damage in transit or, where delivery is made by our own transport, within 10 days after receipt of advice note, and in any event not later than 10 days from receipt of goods.





**Lowara  
service  
and  
training**

**SECTION H**

## CONTENTS

### SECTION H Lowara service and training

Page	163	Lowara UK Service information
	166	Lowara UK Re-stocking policy
	167	Lowara UK Training centre information
	A-F	Terms and Conditions

Product line images in this price list are for illustration purpose only, product may vary.  
Lowara UK reserve the right to make modifications without prior notice.

## Lowara UK Service

**Head Office**

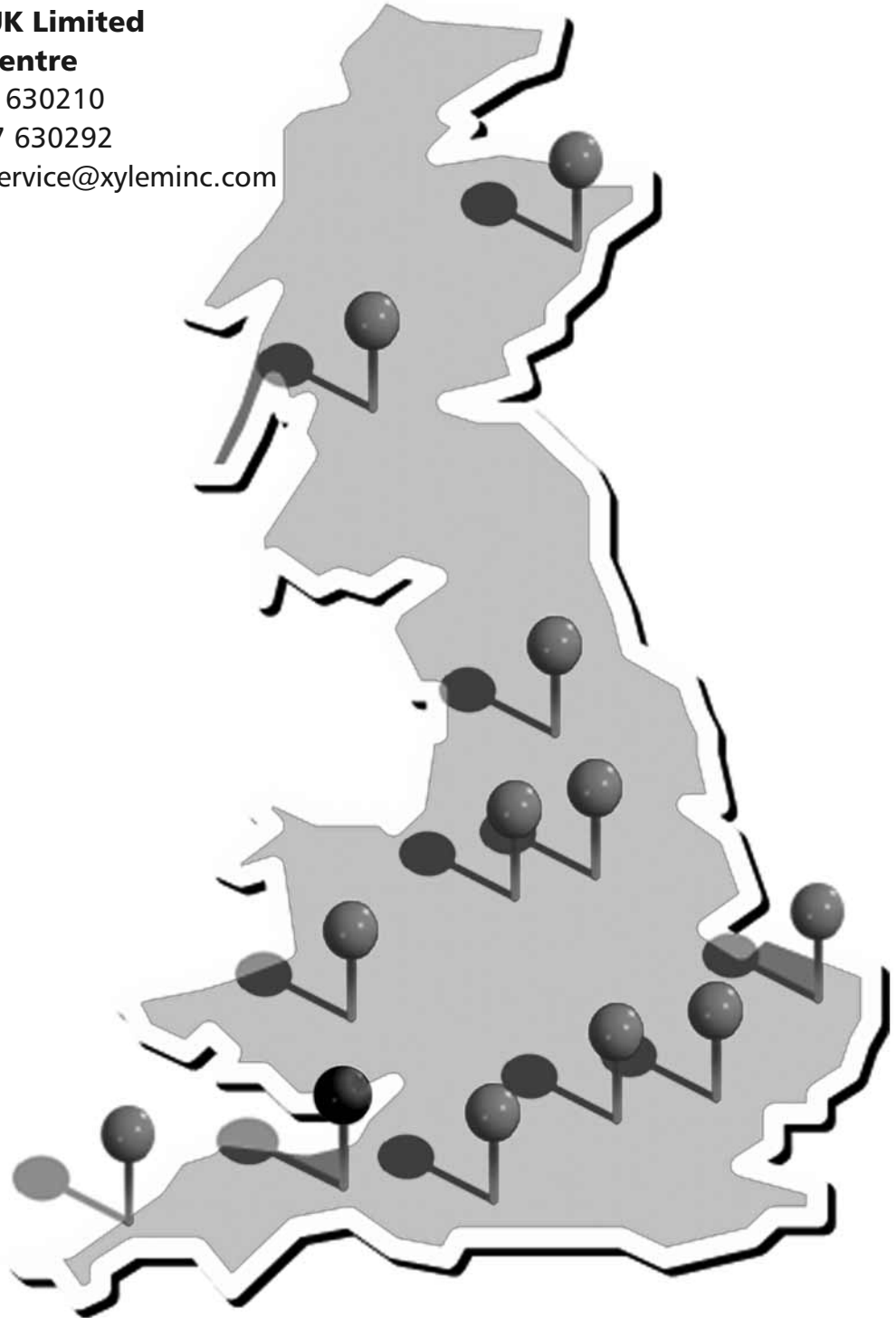
**Lowara UK Limited**

**Service Centre**

Tel: 01297 630210

Fax: 01297 630292

[lowaraukservice@xyleminc.com](mailto:lowaraukservice@xyleminc.com)





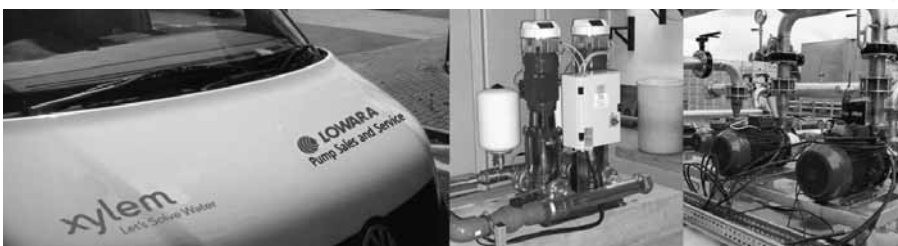
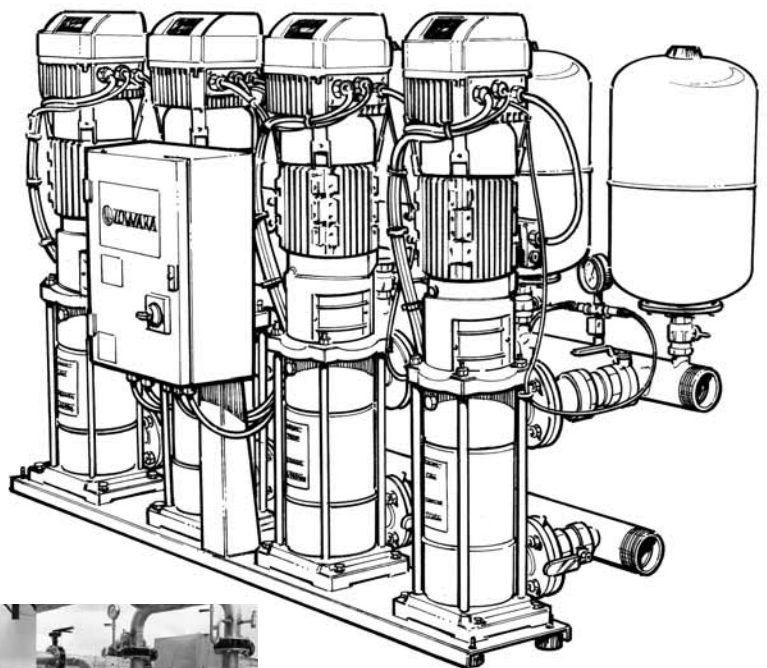
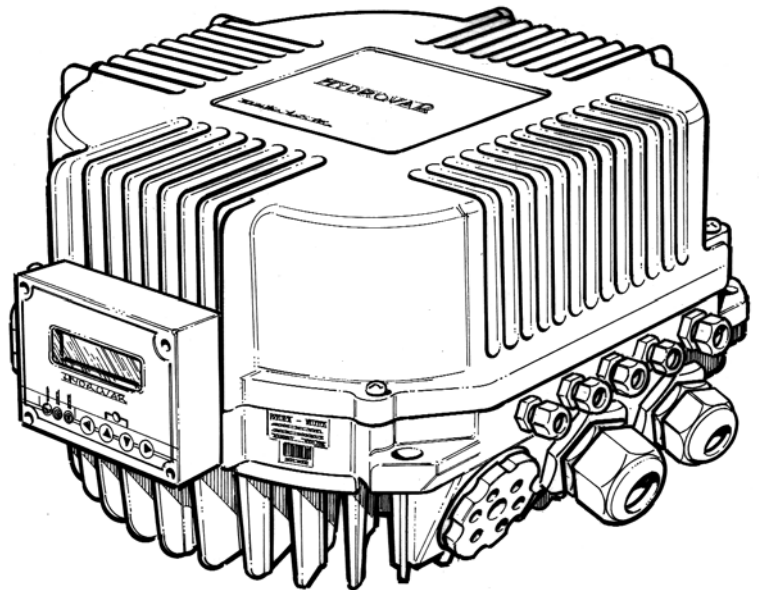
# Lowara service department...

## On Site Services

- Variable & fixed speed booster set commissioning
- Pressurisation set commissioning
- All makes of pumps inspected and repaired
- Service/maintenance agreements available and tailored to your requirements
- Laser alignment
- Vibration monitoring

## In House Service Facility

- All makes of pumps inspected and repaired
- Qualified, rapid and cost effective repair
- Hydrovar VSD servicing available
- Clean water pump performance and witness testing available
- Periodic refurbishment and servicing
- All Lowara pump modifications available
- AC motor rewinds and modifications available





<b>Service on site</b>	<b>Charge</b>	<b>Charge</b>
Busines hours (8am-5pm)	Outside M25	Inside M25
Hourly charge on site	£72.00	£78.00
Travel per hour	£60.00	£60.00
Commissioning per set	£345.00	£345.00
Commissioning per set (Scotland)	£460.00	

<b>Service in house</b>	<b>Charge</b>
Hourly charge in house labour	£60.00

<b>Out of hours service</b>		<b>Charge</b>	<b>Charge</b>
		Outside M25	Inside M25
Hourly charge on site	(6-8am/5-7pm)	£78.00	£92.00
Hourly charge on site	(7pm-12pm)	£85.00	£100.00
Hourly charge on site	(12-6am)	£92.00	£105.00

<b>Weekend service</b>	<b>Charge</b>	<b>Charge</b>
	Outside M25	Inside M25
Weekend hourly charge on site	£100.00	£120.00
Weekend travel charge per hour	£65.00	

<b>Out of hours</b>	<b>Charge</b>
Call out charge	£265.00

**Please note:**

These prices are list prices. Please contact our Service Department for any discounts applicable.

## Lowara UK re-stocking charge policy.

Any goods being returned to Lowara UK Ltd for credit, as a result of the customer incorrectly ordering or no longer requiring them, will be subject to a 30% re-stocking charge to cover for inspection, testing and administration. If any additional work is required to return the pumps to an "as new" saleable condition, then further charges will be incurred.

The above assumes that the returned items are standard high repetitive stock items. We have listed below a few general exceptions that involve more work to return items to stock.

### **Special Motors - 60%**

Items where non-standard motors have been sourced specifically for that order will be subject to a 60% re-stocking charge.

### **Hydrovar's and Pump sealing modifications - 40%**

Items where Hydrovars have been fitted, or seals and o-rings changed, will be subject to a 40% re-stocking charge.

### **Pump Hydraulic modifications - 45%**

Items where different to standard impellers, or non-standard size motors have been fitted, will be subject to a 45% re-stocking charge.

### **Booster sets - 60%**

Booster sets that are manufactured and shipped to the UK specifically for individual orders/contracts will be subject to a 60% re-stocking charge.

If the Service Manager decides that any returned unit is impossible to re-stock, due to its condition, this will be confirmed in writing and the option will be given to return to the customer or scrap.

# LOWARA TRAINING CENTRE LTC



## LTC - in-house training, seminars, and new product launches

With our Lowara Training Centre we provide a learning environment that promotes the transfer of new skills and knowledge to the work setting through both classroom and technology-based instruction. Our training team comprises experienced individuals throughout the organisation who have expert knowledge of our products, markets and services. We are available to assist you and your organisation to meet your training needs.

## Lowara CPD presentations CIBSE accredited courses

One or two hour CPD seminars, at the clients premises, half and full day training can be arranged at company HQ in Axminster, Devon or at any location in the UK. All courses cover the pumps, systems and variable speed drives. Lowara also offer HVAC application training, all are taught by experts in the field and comprehensive course notes are provided.

## HYDROVAR® and Teknospeed demonstration units

Energy saving has become an important issue with a large number of market sectors. For many years Lowara have been demonstrating the benefits of the HYDROVAR® energy control system and since the launch of the new Teknospeed a number of small Teknospeed demonstration units are also now available.

## Exhibitions

Lowara is a regular contributor to industry exhibitions and conferences the world over. We also believe that it is important that our customers fully understand the Lowara experience, which is why we host a series of exhibitions and trade shows. Working together with our customers we can also assist in supplying exhibition pumps, posters etc. or actually help them organise the show; a true partnership.

For up to date news on product and services please visit our web site [www.lowara.co.uk](http://www.lowara.co.uk)



Lowara UK Limited – Terms and Conditions for the Supply of Goods and Services

1 Interpretation

1.1 The definitions and rules of interpretation in this clause apply in these Terms.

"**Business Day**" means a day (other than a Saturday, Sunday or public holiday) when banks in London are open for business;

"**Buyer**" means the person, firm or company who purchases Goods and/or Services from the Company;

"**Commencement Date**" has the meaning set out in clause 2.2;

"**Company**" means **Lowara UK Limited** a company incorporated in England and Wales (company number: 01728230) with registered office c/o ITT Industries Limited, Jays Close, Viabes Industrial Estate, Basingstoke, Hampshire, RG22 4BA;

"**Company Materials**" has the meaning set out in clause 8.1.7.

"**Contract**" means any contract between the Company and the Buyer for the supply of Goods and/or Services in accordance with these Terms;

"**Deliverables**" means the deliverables as set out in the Specification;

"**Delivery Point**" means the place where delivery of any Goods is to take place under clause 4;

"**Goods**" means the goods (or any part of them) as set out in the Order and any Specification;

"**Intellectual Property Rights**" means all patents, rights to inventions, utility models, copyright and related rights, trade marks, service marks, trade, business and domain names, rights in trade dress or get-up, rights in goodwill or to sue for passing off, unfair competition rights, rights in designs, rights in computer software, database right, topography rights, moral rights, rights in confidential information (including know-how and trade secrets) and any other intellectual property rights, in each case whether registered or unregistered and including all applications for and renewals or extensions of such rights, and all similar or equivalent rights or forms of protection in any part of the world and **Intellectual Property Right** means any one of the Intellectual Property Rights;

"**Order**" the Buyer's order for the supply of Goods and/or Services as set out in the Buyer's order form or in the Buyer's acceptance of the Company's quotation communicated via fax, email, telephone, post or any other means agreed between the parties from time to time.

"**Services**" means any services, including the Deliverables, supplied by the Company to the Buyer as set out in the Specification;

"**Specification**" in relation to Goods, any specification for the Goods (including any relevant plans or drawings) that is provided by the Company to the Buyer, and in relation to Services, the description or specification for Services provided by the Company to the Buyer; and

"**Terms**" means these terms and conditions.

1.2 A reference to a particular law is a reference to it as it is in force for the time being taking account of any amendment, extension, application or re-enactment and includes any subordinate legislation for the time being in force made under it.

1.3 Words in the singular include the plural and in the plural include the singular.

1.4 A reference to one gender includes a reference to the other gender.

1.5 Clause headings do not affect the interpretation of these Terms.

1.6 The word "**including**" is not to be treated as a word of limitation.

2 Application of Terms

2.1 The Order constitutes an offer by the Buyer to purchase Goods and/or Services from the Company in accordance with these Terms.

2.2 The Order shall only be deemed to be accepted when the Company acknowledges the Order in writing, at which point and on which date the Contract shall come into existence (the "**Commencement Date**")

2.3 Subject to any variation under clause 2.5 any Contract shall be on these Terms to the exclusion of all other terms and conditions (including any terms or conditions which the Buyer purports to apply under any purchase order, confirmation of order, specification or other document).

2.4 No terms or conditions endorsed on, delivered with or contained in the Buyer's purchase order, confirmation of order, specification or other document shall form part of a Contract simply as a result of such document being referred to in that Contract.

2.5 These Terms apply to all the Company's sales under a Contract and any variation to these Terms and any representations about the Goods and/or Services shall have no effect unless expressly agreed in writing and signed by a director of the Company. The Buyer acknowledges that it has not relied on any statement, promise or representation made or given by or on behalf of the Company which is not set out in the applicable Contract. Nothing in this clause shall exclude or limit the Company's liability for fraudulent misrepresentation.

2.6 Any quotation is valid for a period of 30 days only from its date, provided that the Company has not previously withdrawn it.

2.7 All of these Terms shall apply to the supply of both Goods and Services except where the application to one or the other is specified.

3 Description

3.1 The quantity and description of any Goods shall be as set out in the Company's order acknowledgment and any Specification.

3.2 All samples, drawings, descriptive matter, specifications and advertising issued by the Company and any descriptions or illustrations contained in the Company's catalogues or brochures are issued or published for the sole purpose of giving an approximate idea of the Goods described in them. They shall not form part of any Contract and this is not a sale by sample.

**4 Delivery**

- 4.1 Unless otherwise agreed in writing by the Company, delivery of the Goods shall take place at the Buyer's place of business (the "Delivery Point").
- 4.2 Any date for delivery indicated by the Company (the "Delivery Date") is intended to be an estimate and time for delivery shall not be made of the essence by notice.
- 4.3 Subject to the other provisions of these Terms the Company shall not be liable for any direct, indirect or consequential loss (all three of which terms include, without limitation, pure economic loss, loss of profits, loss of business, depletion of goodwill and similar loss), costs, damages, charges or expenses caused directly or indirectly by any delay in the delivery of any Goods (even if caused by the Company's negligence), nor shall any delay entitle the Buyer to terminate or rescind a Contract unless such delay exceeds 90 days.
- 4.4 If for any reason the Buyer fails to accept delivery of any of the Goods on the Delivery Date, or the Company is unable to deliver the Goods on the Delivery Date because the Buyer has not provided appropriate instructions, documents, licences or authorisations:
  - 4.4.1 risk in the Goods shall pass to the Buyer (including for loss or damage caused by the Company's negligence);
  - 4.4.2 the Goods shall be deemed to have been delivered; and
  - 4.4.3 the Company may store them until delivery, whereupon the Buyer shall be liable for all related costs and expenses (including, without limitation, storage and insurance).
- 4.5 The Buyer shall provide at the Delivery Point and at its expense adequate and appropriate equipment and manual labour for off-loading the Goods.
- 4.6 The Company may deliver the Goods by instalments, which shall be invoiced and paid for separately. Each instalment shall constitute a separate contract. Any delay in delivery or defect in an instalment shall not entitle the Buyer to cancel any other instalment.
- 4.7 The Goods are to be checked by the Buyer on delivery for defects in accordance with clause 11.5 and signed for as "checked" on delivery.

**5 Non-delivery**

- 5.1 The quantity of any consignment of Goods as recorded by the Company on despatch from the Company's place of business shall be conclusive evidence of the quantity received by the Buyer on delivery unless the Buyer can provide conclusive evidence proving the contrary.
- 5.2 The Company shall not be liable for any non-delivery of Goods (even if caused by the Company's negligence) unless the Buyer gives written notice to the Company of the non-delivery within 2 days of the date when the Goods would in the ordinary course of events have been received.
- 5.3 Any liability of the Company for non-delivery of the Goods shall be limited to replacing the Goods within a reasonable time or issuing a credit note at the pro rata Contract rate against any invoice raised for such Goods.

**6 Risk/title**

- 6.1 The risk in the Goods shall pass to the Buyer at the time of delivery.
- 6.2 Ownership of title to the Goods shall not pass to the Buyer until the Company has received in full (in cash or cleared funds) all sums due to it in respect of the Goods and all other sums which are or which become due to the Company from the Buyer on any account.
- 6.3 Until ownership of the Goods has passed to the Buyer, the Buyer shall:
  - 6.3.1 hold the Goods on a fiduciary basis as the Company's bailee;
  - 6.3.2 store the Goods (at no cost to the Company) separately from all other products of the Buyer or any third party in such a way that they remain readily identifiable as the Company's property;
  - 6.3.3 not destroy, deface or obscure any identifying mark or packaging on or relating to the Goods; and
  - 6.3.4 maintain the Goods in satisfactory condition and keep them insured on the Company's behalf for their full price against all risks to the reasonable satisfaction of the Company. On request the Buyer shall produce the policy of insurance to the Company.
- 6.4 The Buyer may resell the Goods before ownership has passed to it solely on the following conditions:
  - 6.4.1 any sale shall be effected in the ordinary course of the Buyer's business at full market value; and
  - 6.4.2 any such sale shall be a sale of the Company's property on the Buyer's own behalf and the Buyer shall deal as principal when making such a sale.
- 6.5 The Buyer's right to possession of the Goods shall terminate immediately if:
  - 6.5.1 the Buyer becomes subject to any of the events in clause 14.1.3 to clause 14.1.10; or
  - 6.5.2 the Buyer suffers or allows any execution, whether legal or equitable, to be levied on his/its property or obtained against him/it, or fails to observe or perform any of his/its obligations under a Contract or any other contract between the Company and the Buyer; or
  - 6.5.3 the Buyer encumbers or in any way charges any of the Goods.
- 6.6 The Company shall be entitled to recover payment for the Goods notwithstanding that ownership of any of the Goods has not passed from the Company.
- 6.7 The Buyer grants the Company, its agents and employees an irrevocable licence at any time to enter any premises where the Goods are or may be stored in order to inspect them, or, where the Buyer's right to possession has terminated, to recover them.
- 6.8 Where the Company is unable to determine whether any Goods are the products in respect of which the Buyer's right to possession has terminated, the Buyer shall be deemed to have sold all products of the kind sold by the Company to the Buyer in the order in which they were invoiced to the Buyer.

6.9 On termination of any Contract, howsoever caused, the Company's (but not the Buyer's) rights contained in this clause 6 shall remain in effect.

## 7 Supply of Services

7.1 The Company shall provide the Services to the Buyer in accordance with the Specification in all material respects.

7.2 The Company shall use reasonable endeavours to meet any performance dates for the Services specified in the order acknowledgement and any Specification, but any such dates shall be estimates only and time shall not be of the essence for the performance of the Services.

7.3 The Company shall have the right to make any changes to the Services which are necessary to comply with any applicable law or safety requirement, or which do not materially affect the nature or quality of the Services, and the Company shall notify the Buyer in any such event.

7.4 The Company warrant to the Buyer that the Services will be provided using reasonable care and skill.

## 8 Buyer's Obligations

8.1 The Buyer shall:

8.1.1 ensure that the terms of the Order and the information it provides in the Specification are complete and accurate;

8.1.2 co-operate with the Company in all matters relating to the Services;

8.1.3 provide the Company, its employees, agents, consultants and subcontractors, with access to the Buyer's premises, office accommodation and other facilities as reasonably required by the Company to provide the Services;

8.1.4 provide the Company with such information and materials as the Company may reasonably require to supply the Services, and ensure that such information is accurate in all material respects;

8.1.5 prepare the Buyer's premises for the supply of the Services;

8.1.6 obtain and maintain all necessary licenses, permissions and consents which may be required for the Services before the date on which the Services are to start; and

8.1.7 keep and maintain all materials, equipment, documents and other property of the Company ("Company Materials") at the Buyer's premises in safe custody and at its own risk, maintain the Company Materials in good condition until returned to the Company, and not dispose of or use the Company Materials other than in accordance with the Company's written instructions or authorisation.

8.2 If the Company's performance of any of its obligations in respect of the Services is prevented or delayed by any act or omission by the Buyer or failure by the Buyer to perform any relevant obligation ("Buyer Default"):

8.2.1 the Company shall without limiting its other rights or remedies have the right to suspend performance of the Services until the Buyer remedies the Buyer Default, and to rely on the Buyer Default to relieve it from the performance of any of its obligations to the extent the Buyer Default prevents or delays the Company's performance of any of its obligations;

8.2.2 the Company shall not be liable for any costs or losses sustained or incurred by the Buyer arising directly or indirectly from the Company's failure or delay to perform any of its obligations as set out in this clause 8.2; and

8.2.3 the Buyer shall reimburse the Company on written demand for any costs or losses sustained or incurred by the Company arising directly or indirectly from the Buyer Default.

## 9 Price

9.1 Unless otherwise agreed by the Company in writing, the price for the Goods shall be the price set out in the Company's price list published on the date of the Order. In the event the Company price list is updated, 30 days prior notice of the publication of a new price list will be provided.

9.2 The charges for Services shall be on a time and materials basis:

9.2.1 the charges shall be calculated in accordance with the Company's standard daily fee rates as set out in the Company's price list;

9.2.2 the Company's standard daily fee rates for each individual person are calculated on the basis of an eight-hour day from 8.00am to 5.00pm worked on Business Days;

9.2.3 the Company shall be entitled to charge an overtime rate as set out in our published price list on a pro-rata basis for each part day or for any time worked by individuals whom it engages on the Services outside the hours referred to in clause 9.2.2; and

9.2.4 the Company shall be entitled to charge the Buyer for any expenses reasonably incurred by the individuals whom the Company engages in connection with the Services including, but not limited to, travelling expenses, hotel costs, subsistence and any associated expenses, and for the cost of services provided by third parties and required by the Company for the performance of the Services, and for the cost of any materials.

9.3 The price of any Goods or Services is exclusive of amounts in respect of value added tax ("VAT"). The Buyer shall, on receipt of a valid VAT invoice from the Company, pay to the Company such additional amounts in respect of VAT as are chargeable on the supply of the Goods.

9.4 Without prejudice to clause 4.5 all costs or charges in relation to packaging, loading, unloading, carriage and insurance of the Goods, are payable by the Buyer unless stated otherwise by the Company in the quotation. All amounts due and payable under this clause 9.4 shall be paid by the Buyer in addition when it is due to pay for any Goods.

9.5 Minimum order value – a minimum order charge of £50.00 net will apply to all sales.

**10 Payment**

- 10.1 Subject to clause 10.4, where credit terms have been agreed between the parties, payment of the price for the Goods and or Services is due in the agreed currency within 30 days of the date of the relevant invoice. Where credit terms have not been agreed between the parties, payment of the price for the Goods and or Services will be payable to the Company in full and cleared funds prior to delivery.
- 10.2 Time for payment shall be of the essence.
- 10.3 No payment shall be deemed to have been received until the Company has received cleared funds.
- 10.4 All payments payable to the Company under a Contract shall become due immediately on its termination despite any other provision.
- 10.5 The Buyer shall make all payments due under a Contract in full without any deduction whether by way of set-off, counterclaim, discount, abatement or otherwise unless the Buyer has a valid court order requiring an amount equal to such deduction to be paid by the Company to the Buyer.
- 10.6 If the Buyer fails to pay the Company any sum due pursuant to a Contract, the Buyer shall be liable to pay interest to the Company on such sum from the due date for payment at the annual rate of 4% above the base lending rate from time to time of Barclays Bank PLC, accruing on a daily basis until payment is made, whether before or after any judgment. The Company reserves the right to claim interest under the Late Payment of Commercial Debts (Interest) Act 1998.

**11 Warranty**

- 11.1 Subject to clause 11.4, all Lowara branded Goods (or part thereof) manufactured by the Company are transferred to the Buyer with the benefit of a two year warranty, commencing on the date of purchase.
- 11.2 Where the Company is not the manufacturer of all or part of the Goods, the Company shall endeavour to transfer to the Buyer the benefit of any warranty or guarantee given to the Company in respect of those Goods/that part.
- 11.3 Notwithstanding any additional warranties expressly provided in under clauses 11.1 and 11.2 above, the Company warrants that (subject to the other provisions of these Terms) on delivery the Goods shall be of satisfactory quality within the meaning of the Sale of Goods Act 1979.
- 11.4 In the event Goods are made by the Company to a Buyer's bespoke specification any warranty shall be limited to ensuring that the Goods reflect the agreed specification, and not that they are appropriate for the purpose for which the Buyer requires them.
- 11.5 The Company shall not be liable for a breach of the warranty in clause 11.3 unless:
- 11.5.1 the Buyer gives written notice of the defect to the Company, in accordance with clause 19, and, if the defect is as a result of damage in transit, within 2 days of the time when the Buyer discovers or ought to have discovered the defect; and
- 11.5.2 the Company is given a reasonable opportunity after receiving the notice of examining such Goods. After giving notice to the Company the Buyer will need to apply to the Company for a return materials authorisation (RMA). Following receipt of the RMA the Buyer (if asked to do so by the Company) returns such Goods to the Company's place of business at the Buyer's cost for the examination to take place there. If, following examination, the Company is found to be in breach of clause 11.3 the Company will credit the Buyer with the reasonable cost of returning the Goods.
- 11.6 The Company shall not be liable for a breach of the warranty in clause 11.3 if:
- 11.6.1 the Buyer makes any further use of such Goods after giving notice under clause 11.5.1; or
- 11.6.2 the defect arises because the Buyer failed to follow the Company's oral or written instructions as to the storage, installation, commissioning, use or maintenance of the Goods or (if there are none) good trade practice; or
- 11.6.3 the Buyer alters or repairs such Goods without the written consent of the Company.
- 11.7 Subject to clause 11.5 and clause 11.6, if any of the Goods do not conform with the warranty in clause 11.3 the Company shall at its option replace such Goods or refund the price of such Goods at the pro rata Contract rate provided that, if the Company so requests, the Buyer shall, at the Company's expense, return the Goods or the part of such Goods which is defective to the Company.
- 11.8 If the Company complies with clause 11.7 it shall have no further liability for a breach of any of the warranties in clause 11.3 in respect of such Goods.

**12 Intellectual property**

- 12.1 The Buyer hereby acknowledges and agrees that all Intellectual Property Rights in relation to the Goods or Services are reserved to the Company as the owner of such Intellectual Property Rights or on behalf of any third party owner of such Intellectual Property Rights and nothing in these Terms grants the Buyer any right, title, interest or license whatsoever in the Intellectual Property Rights in the Goods.
- 12.2 All Company Materials are the exclusive property of the Company.

**13 Confidentiality**

- 13.1 Each party undertakes that it shall not at any time during a Contract, and for a period of five years after termination of that Contract, disclose to any person any information of a confidential nature received or obtained regarding the other as a result of entering into a Contract concerning the business, affairs, customers, clients or suppliers of the other party or of any member of the group of companies to which the other party belongs, except as permitted by clause 13.2.
- 13.2 Each party may disclose the other party's confidential information:
- 13.2.1 to its employees, officers, representatives or advisers who need to know such information for the purposes of carrying out the party's obligations under any Contract. Each party shall ensure that its employees, officers, representatives or advisers to whom it discloses the other party's confidential information comply with this clause 13.2; and
- 13.2.2 as may be required by law, court order or any governmental or regulatory authority.
- 13.3 No party shall use any other party's confidential information for any purpose other than to perform its obligations under a Contract.

13.4 The Buyer will not and agrees that it has no right (and shall not permit any third party) to copy, adapt, reverse engineer, decompile, disassemble, modify or adapt the Goods in whole or in part.

13.5 Each party acknowledges and agrees that the restrictions contained in this clause 13 are reasonable to protect the business interests of the other party.

**14 Termination**

14.1 The Company shall be entitled to terminate a Contract with immediate effect by giving written notice to the other party if:

14.1.1 the Buyer fails to pay any undisputed amount due under a Contract on the due date for payment and remains in default not less than 14 days after being notified in writing to make such payment; or

14.1.2 the Buyer commits a material breach of its obligations under a Contract and (if such breach is remediable) fails to remedy that breach within a period of 30 days after receipt of notice in writing requiring it to do so; or

14.1.3 the Buyer goes into liquidation (including, for the avoidance of doubt, a voluntary liquidation); or

14.1.4 the Buyer suspends, or threatens to suspend, payment of its debts or is unable to pay its debts as they fall due or admits inability to pay its debts or is deemed unable to pay its debts within the meaning of section 123 or 268 of the Insolvency Act 1986 or otherwise or by applying for a debt relief order under 251A of the Insolvency Act 1986; or

14.1.5 the Buyer commences negotiations with all or any class of its creditors with a view to rescheduling any of its debts or makes a proposal for or enters into any compromise or arrangement with its creditors; or

14.1.6 the Buyer has a statutory demand served, a petition filed, a notice given, a resolution passed, or an order made, for or in connection with the winding up or bankruptcy of it; or

14.1.7 a creditor or encumbrancer of the Buyer attaches or takes possession of, or a distress, execution, sequestration or other such process is levied or enforced on or sued against, the whole or any part of its assets and such attachment or process is not discharged within 14 days; or

14.1.8 the Buyer is the subject of an application made to court for an administration order, or the appointment of an administrator or if a notice of intention to appoint an administrator is filed or if an administrator is appointed over it; or

14.1.9 the Buyer allows a floating charge holder over its assets to become entitled to appoint or appoint an administrative receiver; or

14.1.10 the Buyer allows a person to become entitled to appoint a receiver over its assets or allow a receiver to be appointed over its assets.

14.1.11 any event occurs, or proceeding is taken, with respect to the Buyer in any jurisdiction to which it is subject that has an effect equivalent or similar to any of the events mentioned in clause 14.1.3 to clause 14.1.10 (inclusive); or

14.1.12 the Buyer ceases, or threatens to cease, to carry on all or substantially the whole of its business.

14.2 The Buyer may not terminate the Contract which has come into existence in accordance with these Terms except with the written agreement of the company which may be given or not given in the Company's absolute discretion. The provision of any such agreement by the Company shall be subject to, inter alia, the Buyer paying the Company for any costs incurred by the Company in connection with the performance of its obligations under and as a consequence of termination of such Contract.

**15 Consequences of Termination**

15.1 On termination of the Contract for any reason:

15.1.1 the Buyer shall immediately pay to the Company all of the Company's outstanding unpaid invoices and interest and, in respect of Services supplied but which no invoice has yet been submitted, the Company shall submit an invoice, which shall be payable by the Buyer immediately on receipt;

15.1.2 the Buyer shall return all of the Company Material and any Deliverable which have not been fully paid for. If the Buyer fails to do so then the Company may enter the Buyer's premises and take possession of them. Until they have been returned, the Buyer shall be solely responsible for their safe keeping and will not use them for any purpose connected with a Contract;

15.1.3 the accrued rights and remedies of the parties as at termination shall not be affected, including the right to claim damages in respect of any breach of the Contract which existed at or before the date of termination or expiry; and

15.1.4 clauses which expressly or by implication have effect after termination shall continue in full force and effect.

**16 Limitation of liability**

16.1 Subject to clause 4, clause 5 and clause 11, the following provisions set out the entire financial liability of the Company (including any liability for the acts or omissions of its employees, agents and sub-contractors) to the Buyer in respect of:

16.1.1 any breach of these Terms;

16.1.2 any use made or resale by the Buyer of any of the Goods, or of any product incorporating any of the Goods; and

16.1.3 any representation, statement or tortious act or omission including negligence arising under or in connection with a Contract.

16.2 All warranties, conditions and other terms implied by statute or common law (save for the conditions implied by section 12 of the Sale of Goods Act 1979 and section 2 of the Supply of Goods and Services Act 1982) are, to the fullest extent permitted by law, excluded from any Contract.

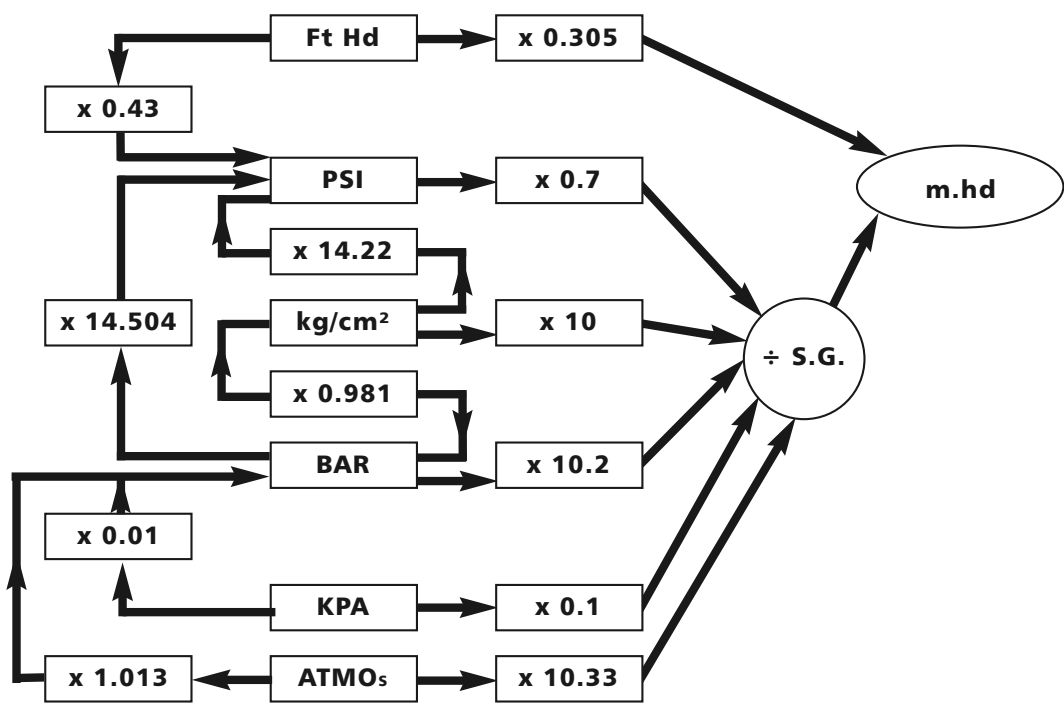
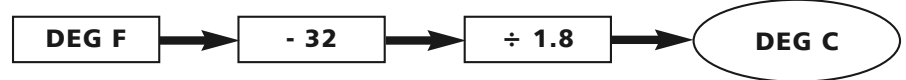
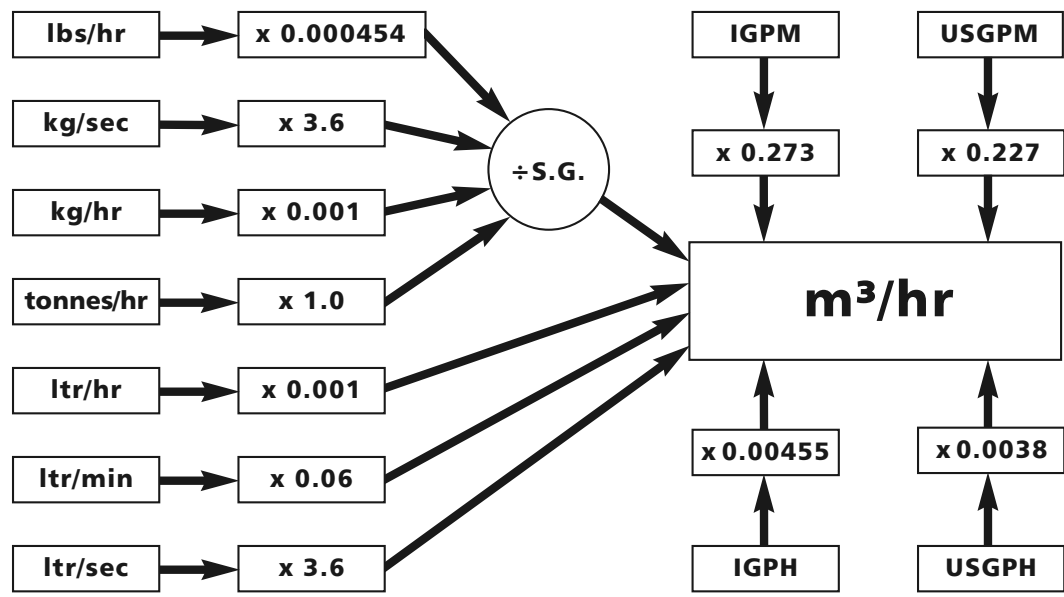
16.3 Nothing in these Terms excludes or limits the liability of the Company:

16.3.1 for death or personal injury caused by the Company's negligence; or



- 16.3.2 under section 2(3), Consumer Protection Act 1987; or
- 16.3.3 for any matter which it would be illegal for the Company to exclude or attempt to exclude its liability;
- 16.3.4 for fraud or fraudulent misrepresentation; or
- 16.3.5 defective products under the Consumer Protection Act 1987
- 16.4 Subject to clause 16.2 and clause 16.3:
- 16.4.1 the Company's total liability in contract, tort (including negligence or breach of statutory duty), misrepresentation, restitution or otherwise, arising in connection with the performance or contemplated performance of any Contract shall be limited to the total value of that Contract; and
- 16.4.2 the Company shall not be liable to the Buyer for loss of profit, loss of business, or depletion of goodwill in each case whether direct, indirect or consequential, or any claims for consequential compensation whatsoever (howsoever caused) which arise out of or in connection with any Contract.
- 17 Assignment**
- 17.1 The Company may assign any Contract or any part of one to any person, firm or company.
- 17.2 The Buyer shall not be entitled to assign any Contract or any part of one without the prior written consent of the Company.
- 18 Force majeure**
- 18.1 The Company reserves the right to defer a Delivery Date or to cancel a Contract or reduce the volume of the Goods ordered by the Buyer (without liability to the Buyer) if it is prevented from or delayed in the carrying on of its business due to circumstances beyond the reasonable control of the Company including, without limitation, acts of God, governmental actions, war or national emergency, acts of terrorism, protests, riot, civil commotion, fire, explosion, flood, epidemic, lock-outs, strikes or other labour disputes (whether or not relating to either party's workforce), or restraints or delays affecting carriers or inability or delay in obtaining supplies of adequate or suitable materials, provided that, if the event in question continues for a continuous period in excess of 30 days, the Buyer shall be entitled to give notice in writing to the Company to terminate the applicable Contract.
- 19 Communications**
- 19.1 Subject to clause 19.2, all communications between the parties about a Contract shall be in writing and delivered by hand or sent by pre-paid first class post or sent by fax or by electronic mail:
- 19.1.1 (in case of communications to the Company) to its registered office or such changed address as shall be notified to the Buyer by the Company (or where applicable, such electronic mail address as has been provided to the Buyer for the purposes of communication under a Contract); or
- 19.1.2 (in the case of the communications to the Buyer) to the registered office of the addressee (if it is a company) or (in any other case) to any address of the Buyer set out in any document which forms part of a Contract or such other address as shall be notified to the Company by the Buyer (or where applicable, such electronic mail address as has been provided to the Company for the purposes of communication under a Contract).
- 19.2 In the event of non-delivery, in accordance with clause 5.2 or a defect occurring as a result of damage in transit, in accordance with clause 11.5.1, communication may be by telephone to 01297-630200. .
- 19.3 Communications shall be deemed to have been received:
- 19.3.1 if sent by pre-paid first class post, two days (excluding Saturdays, Sundays and bank and public holidays) after posting (exclusive of the day of posting); or
- 19.3.2 if delivered by hand, on the day of delivery; or
- 19.3.3 if sent by fax on a working day prior to 4.00 pm, at the time of transmission and otherwise on the next working day; or
- 19.3.4 if sent by electronic mail, one hour after being sent, or if this falls after 5pm in the United Kingdom or otherwise than on a working day, at 9am the next working day - providing that an undeliverable receipt has not been returned to the sender in this time.
- 19.4 Communications addressed to the Company shall be marked for the attention of the sales manager.
- 20 General**
- 20.1 Each right or remedy of the Company under any Contract is without prejudice to any other right or remedy of the Company whether under that Contract or not.
- 20.2 If any provision of a Contract is found by any court, tribunal or administrative body of competent jurisdiction to be wholly or partly illegal, invalid, void, voidable, unenforceable or unreasonable it shall to the extent of such illegality, invalidity, voidness, voidability, unenforceability or unreasonableness be deemed severable and the remaining provisions of that Contract and the remainder of such provision shall continue in full force and effect.
- 20.3 Failure or delay by the Company in enforcing or partially enforcing any provision of a Contract shall not be construed as a waiver of any of its rights under that Contract.
- 20.4 Any waiver by the Company of any breach of, or any default under, any provision of a Contract by the Buyer shall not be deemed a waiver of any subsequent breach or default and shall in no way affect the other terms of that Contract.
- 20.5 The parties to any Contract do not intend that any term of that Contract shall be enforceable by virtue of the Contracts (Rights of Third Parties) Act 1999 by any person that is not a party to it.
- 20.6 Nothing in any Contract is intended to, or shall be deemed to, constitute a partnership or joint venture of any kind between any of the parties, nor constitute any party the agent of another party for any purpose. No party shall have authority to act as agent for, or to bind, the other party in any way.
- 20.7 These Terms, each Contract, and any dispute or claim arising out of or in connection with a Contract or its subject matter or formation (including non-contractual disputes or claims) shall be governed by and construed in accordance with English law, and the parties submit to the exclusive jurisdiction of the English courts.

# Calculation and conversion charts...



## Conversions

### To convert to litres/sec.

<b>IGPM</b>	<b>x 0.0757</b>
<b>m<sup>3</sup>/hr</b>	<b>x 0.278</b>
<b>m<sup>3</sup>/min</b>	<b>x 16.68</b>
<b>Metric tonnes/hr</b>	<b>x 0.278 ÷ S.G.</b>
<b>Litres/min</b>	<b>x 0.0167</b>
<b>Kilogrammes/hr</b>	<b>x 0.000278 ÷ S.G.</b>
<b>USGPM</b>	<b>x 0.063</b>
<b>Cubic feet/sec</b>	<b>x 28.3</b>
<b>Cubic feet/min</b>	<b>x 0.47</b>
<b>British tons/hr</b>	<b>x 0.282 ÷ S.G.</b>
<b>British barrels/hr</b>	<b>x 0.453</b>

### To convert to m<sup>3</sup>/hr

<b>IGPM</b>	<b>x 0.273</b>
<b>Litres/sec</b>	<b>x 3.60</b>
<b>Litres/min</b>	<b>x 0.06</b>
<b>Metric tonnes/hr</b>	<b>x 1 ÷ S.G.</b>
<b>m<sup>3</sup>/min</b>	<b>x 60</b>
<b>Kilogrammes/hr</b>	<b>x 0.001 ÷ S.G.</b>
<b>Kilogrammes/sec</b>	<b>x 3.6 ÷ S.G.</b>
<b>USGPM</b>	<b>x 0.227</b>
<b>Cubic feet/sec</b>	<b>x 102.0</b>
<b>Cubic feet/min</b>	<b>x 1.7</b>
<b>British tons/hr</b>	<b>x 1.015 ÷ S.G.</b>
<b>British barrels/hr</b>	<b>x 0.163</b>

## Pumping Head Conversions

### To convert to metres

<b>Feet</b>	<b>x 0.305</b>
<b>kg/cm<sup>2</sup></b>	<b>x 10 ÷ S.G.</b>
<b>PSI</b>	<b>x 0.704 ÷ S.G.</b>
<b>Inches Hg</b>	<b>x 0.345 ÷ S.G.</b>
<b>cm Hg</b>	<b>x 0.1362 ÷ S.G.</b>
<b>Atmospheres</b>	<b>x 10.35 ÷ S.G.</b>
<b>KN/m<sup>2</sup> (KPa)</b>	<b>x 0.102 ÷ S.G.</b>
<b>Bar</b>	<b>x 10.2 ÷ S.G.</b>

### Power Conversions

#### To convert to kilowatts

**Horse power**      **x 0.746**

#### To convert to HP

**Kilowatts**      **÷ 0.746**

**kW =**

**m<sup>3</sup>/hr x Total head in metres x S.G.**

**367.87 x Pump Efficiency**

**BHP =**

**IMP.GPM x Total head in Ft x S.G. x 10**

**33,000 x Pump Efficiency**

# About Xylem

Xylem (XYL) is a leading global water technology provider, enabling customers to transport, treat, test and efficiently use water in public utility, residential and commercial building services, industrial and agricultural settings. The company does business in more than 150 countries through a number of market-leading product brands, and its people bring broad applications expertise with a strong focus on finding local solutions to the world's most challenging water and wastewater problems. Launched in 2011 from the spinoff of the water-related businesses of ITT Corporation, Xylem is headquartered in White Plains, N.Y., with 2011 revenues of \$3.8 billion and 12,500 employees worldwide.

The name Xylem is derived from classical Greek and is the tissue that transports water in plants, highlighting the engineering efficiency of our water-centric business by linking it with the best water transportation of all -- that which occurs in nature. For more information, please visit us at [www.xyleminc.com](http://www.xyleminc.com)



## Lowara UK Limited

Millwey Rise Industrial Estate  
Axminster, Devon EX13 5HU - UK  
Tel: 01297 630230  
Fax: 01297 630270  
e-mail: [lowaraukenquiries@xyleminc.com](mailto:lowaraukenquiries@xyleminc.com)  
<http://www.lowara.co.uk>  
<http://completewatersystems.com>



Lowara is a trademark of Xylem Inc. or one of its subsidiaries.  
© 2011 Xylem, Inc.

*Lowara reserve the right to make modifications without prior notice.*

cod. UKLIT00XX P09/12

