



# atac

ATAC Solutions Ltd is a leading environmental engineering company based in Maidstone, United Kingdom.

ATAC Solutions is known for its state-of-the-art liquid collection fleet and its expertise in providing bespoke turnkey wastewater process solutions.

With a focus on sustainability and accreditation in ISO 9001 & ISO 14001, the company serves domestic and industrial clients across the South-East and London.

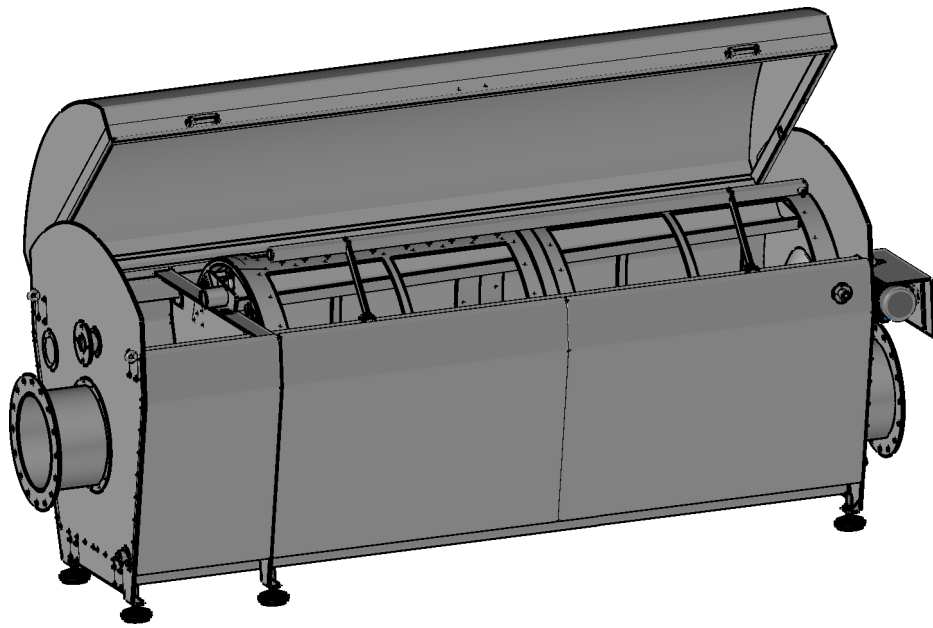
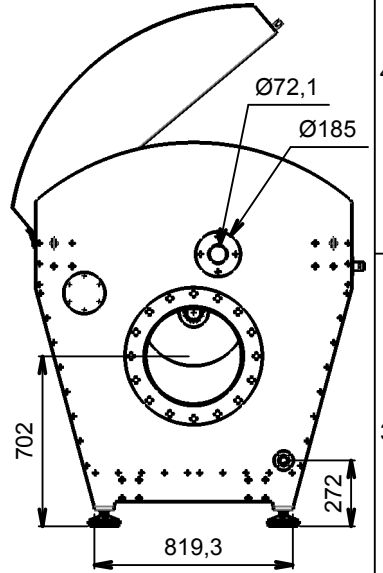
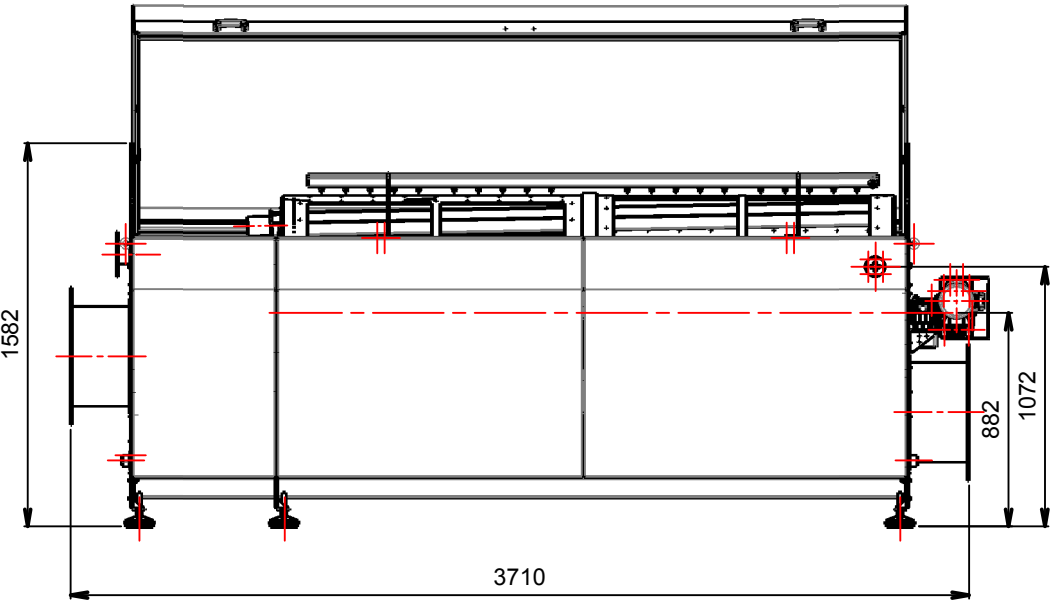
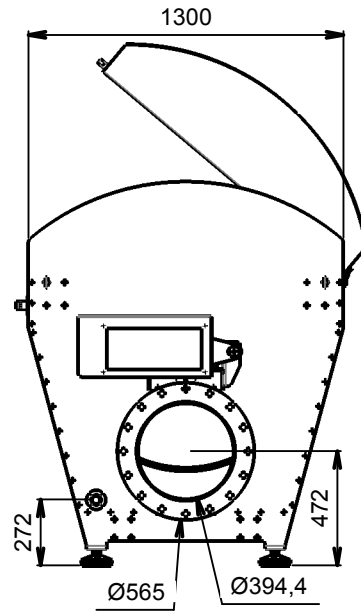
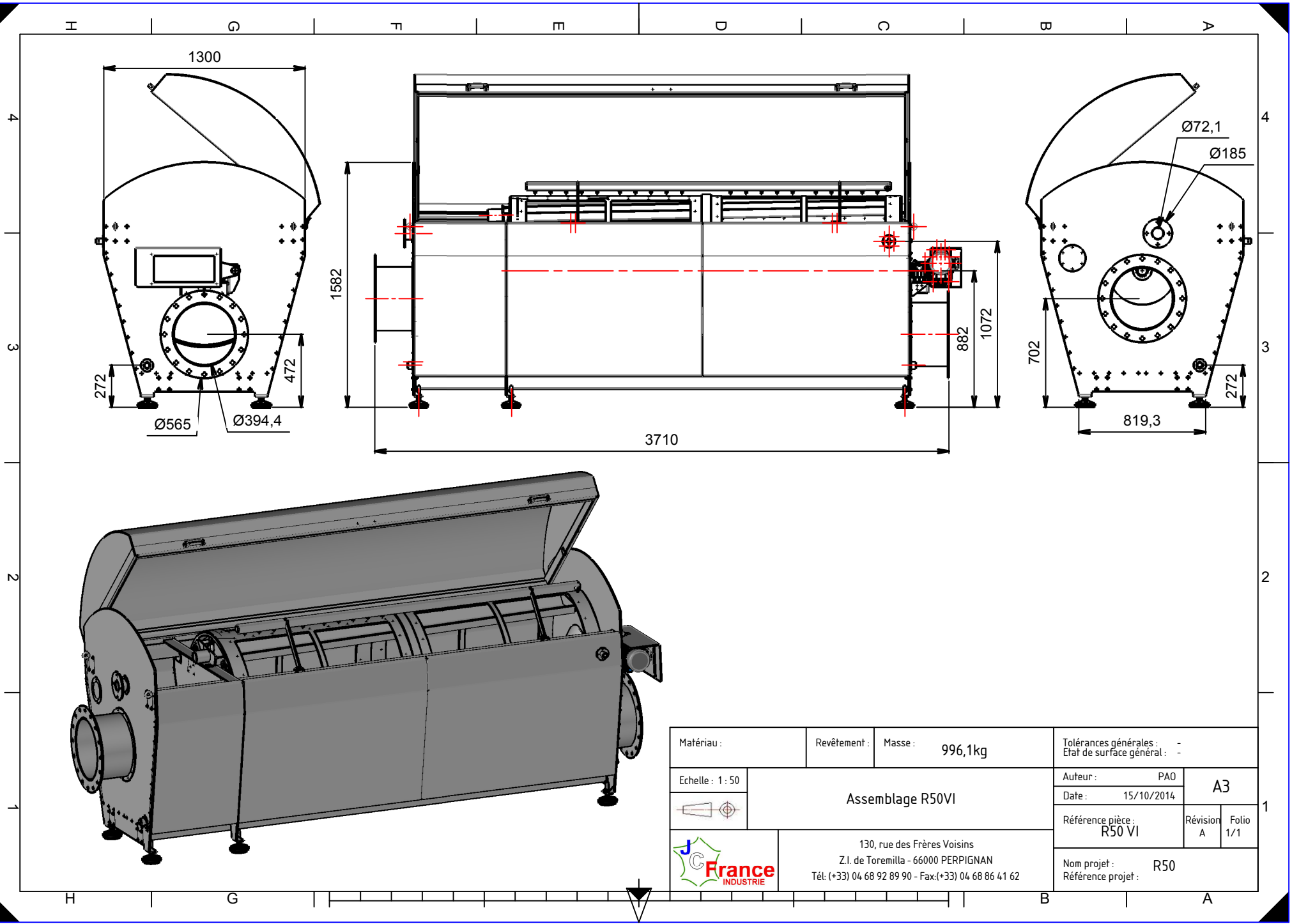
ATAC Solutions Ltd,  
Unit A9, Loc 8 Business Park, Ashford Road,  
Hollingbourne, Maidstone, England, ME17 1WR

 [atacsolutions.com](https://www.atacsolutions.com)  
 01622 882400

Axiom Water companies





Matériau :	Revêtement :	Masse : 996,1kg	Tolérances générales : - Etat de surface général : -	
Echelle : 1 : 50	Assemblage R50VI		Auteur : PAO	A3
			Date : 15/10/2014	
		130, rue des Frères Voisins Z.I. de Toremillà - 66000 PERPIGNAN Tél: (+33) 04 68 92 89 90 - Fax:(+33) 04 68 86 41 62		Référence pièce : R50 VI Révision : A Folio : 1/1
		Nom projet : R50 Référence projet :		