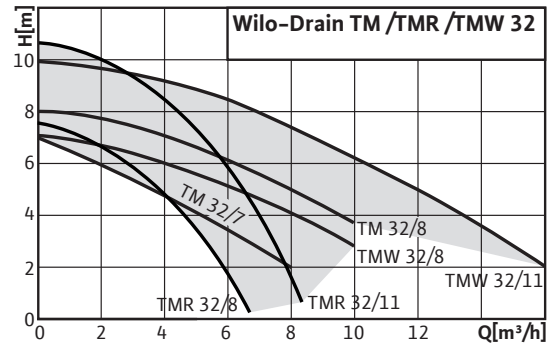


Series description: Wilo-Drain TM/TMW/TMR 32



Design

Basement drainage pump, water-cooled

Application

- For pumping clear or slightly muddy water
 - From tanks, sumps or pits
 - For overflows and flooding
 - For draining basement stairways and basement areas

TMR

The TMR is suited for lowering the water level to a remaining level of 2 mm.

TMW

The service life of submersible pumps, which are used in pump sumps and through which washing machine water, soapy water from basins and showers, or other mixtures flow, is considerably reduced by settling sediment. Such sediment can form deposits in the pump sump, resulting in the accumulation of mud and odours.

Wilo-Drain TMW 32 has a turbulator that prevents the build-up of sediment, expelling it together with the fluid. This reduces costs and the time needed for regular cleaning of the sump. In addition, problems associated with mud removal and the observance of occupational safety hygiene regulations during cleaning of the pump sump are minimized.

Type key

Example:	Wilo-Drain TM 32/7
TM	Submersible pump
32	Nominal diameter of discharge port
/7	Max. delivery head [m]
Example:	Wilo-Drain TMW 32/11 HD
TM	Submersible pump
W	W = with turbulator R = with flat suction
32	Nominal diameter of discharge port
/11	Max. delivery head [m]
HD	For aggressive fluid

Special features/product advantages

- Constantly clean pump sump due to patented integrated turbulator (TMW)
- Minimal residual water level of 2 mm (TMR)
- For aggressive fluids (HD version)
- With float switch (A version)
- Incl. hose connection and 10 m cable

Technical data

- Mains connection 1~230 V, 50 Hz

Equipment/function

- Ready-to-plug
- Thermal motor monitoring
- Sheath current cooling
- Connection cable

Materials

- Pump housing PPGF30
- Impeller PPE/PS-GF20
- Shaft 1.4104 (AISI 430F)/1.4404 (AISI 316L) (for TMW 32/11 HD)
- Shaft seal: NBR on motor side, carbon/ceramic on pump side
- Motor housing 1.4301(AISI 304) / 1.4404 (AISI 316L) (with TMW 32/11 HD)

Description/design

Submersible pump suitable for stationary, fully automatic operation. A pressure hose of appropriate length is connected for mobile use, while a pipe is connected to the pressure port for stationary applications. A residual-current-operated protection switch for a trigger current of 30 mA that is to be provided onsite (regulation concerning outdoor installation) must be utilised in accordance with EN 60335-2-41.

The pumps of the TM series are suitable for drainage applications with a multi-channel impeller and a free ball passage of 10 mm according to EN 12050-2 (except TMR).

The pump is continuously cooled by the fluid between the outside shroud of the pump and the stainless steel motor housing. The serially installed thermal motor protection assures a permanent protection of the pump. The pump is equipped with a 3 or 10 m connecting cable with shockproof plug and a float switch (not TM 32/8-10M).

TMR

The Wilo-Drain TMR pumps are built for special applications whereby it is essential to keep the amount of residual water low. The special strainer enables the fluid to be pumped out to a remaining level of 2 mm.

TMW

Due to its design, the Wilo-Drain TMW ensures constant turbulence in the suction area of the pump. This results in a clean pump sump. No fluid-related odours are generated, due to the turbulence and the elimination of the settling sediment connected with it. The maintenance intervals are extended.

Deactivating the Twister (see installation and operating instructions) increases the pump curve by 1 m.

Motor

Jacket-cooled, stainless steel-encapsulated, dry electric motor with built-in thermal overload protection and automatic reactivation.

Cable

In accordance with DIN EN 60335-2-41, 10 m of electrical connection line should be used for outdoor operation (however note that regulations vary from country to country).

Sealing of pumps/motor compartment

Series description: Wilo-Drain TM/TMW/TMR 32

- Protection class: IP 68
- Submersion depth max. 3 m
- Fluid temperature 3-35 °C, max. 90 °C for short periods up to 3 min.
- Cable length 3 to 10 m, depending on type
- Free ball passage 10 mm (TMR: 2 mm)
- Pressure port Rp 1 ¼

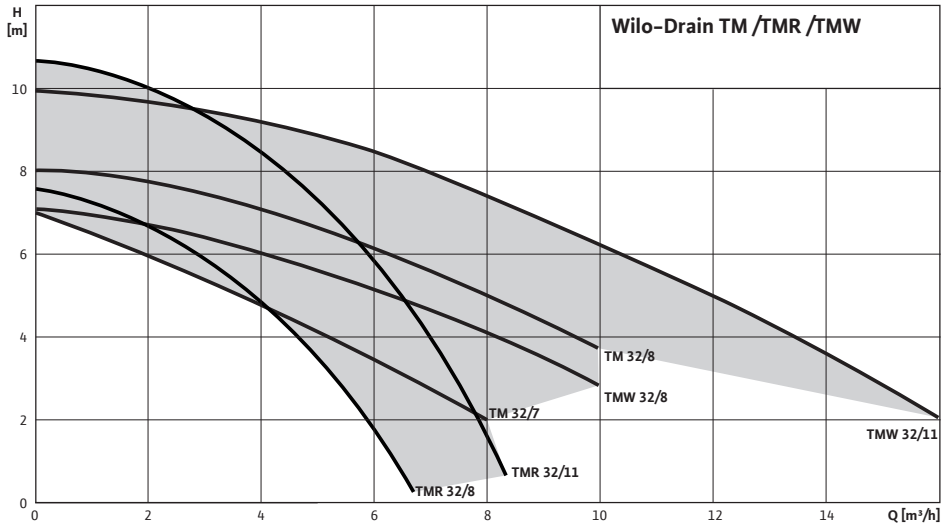
Mechanical seal on impeller side, one rotary shaft seal on motor side; there is an oil chamber between the seals.

Scope of delivery

Pump ready for connection with cable, plug and attached float switch (except for TM 32/8), supplied non-return valve (except for TM 32/7), installation and operating instructions.

Duty chart: Wilo-Drain TM/TMR/TMW 32

Pump curves



Equipment/function: Wilo-Drain TM/TMW/TMR 32
Design

Submersible	•
Non-self-priming	•
Open single-channel impeller	–
Vortex impeller	–
Open multi-channel impeller	•
Turbulator	•
Sealing chamber	•
Sealing for mechanical seal on motor side	–
Sealing for rotary shaft seal on motor side	•
Sealing for mechanical seal on fluid side	•
Sealing for rotary shaft seal on fluid side	–
Single-phase AC motor	•
Three-phase motor	–
Direct activation	•
Star-delta activation	–
FC operation	–
Dry motor	•
Motor with oil cooling	–
Sheath current cooling	•

Application

Wet well installation, stationary	•
Wet well installation, portable	•
Dry well installation, portable	–
Dry well installation, stationary	–

Equipment/function

Explosion protection	–
Hose connection	•
Float switch	•
Non-return valve	•
Capacitor box for 1~230 V	–
Connecting cable detachable	–
Ready-to-plug	•

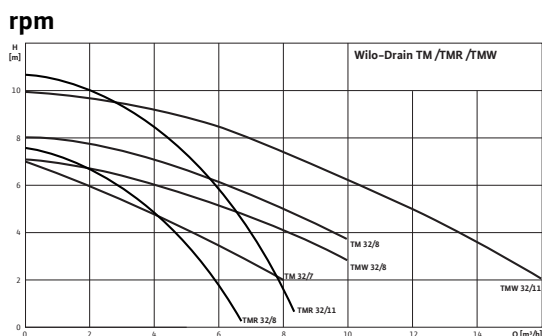
• = available or approved, – = not available or not approved

Product list: Wilo-Drain TM/TMW/TMR 32

Pump type	Mains connection	Float switch	Max. volume flow	Max. delivery head	Length of connecting cable	Mains plug	Art no.
			$Q_{max}/m^3/h$	H_{max}/m			
TM 32/7	1~230 V, 50 Hz	No float switch	7	7	3	Shock-proof	4048412
TM 32/8-10M	1~230 V, 50 Hz	No float switch	10	7	10	Shock-proof	4048411
TMR 32/8-10M	1~230 V, 50 Hz	No float switch	8	7	10	Shock-proof	4145326
TMR 32/8	1~230 V, 50 Hz	No float switch	8	7	3	Shock-proof	4145325
TMR 32/11	1~230 V, 50 Hz	No float switch	11	10	3	Shock-proof	4145327
TMW 32/8-10M	1~230 V, 50 Hz	No float switch	10	7	10	Shock-proof	4058059
TMW 32/8	1~230 V, 50 Hz	No float switch	10	7	3	Shock-proof	4048413
TMW 32/11-10M	1~230 V, 50 Hz	No float switch	16	10	10	Shock-proof	4058060
TMW 32/11	1~230 V, 50 Hz	No float switch	16	10	3	Shock-proof	4048414
TMW 32/11HD	1~230 V, 50 Hz	No float switch	16	10	10	Shock-proof	4048715

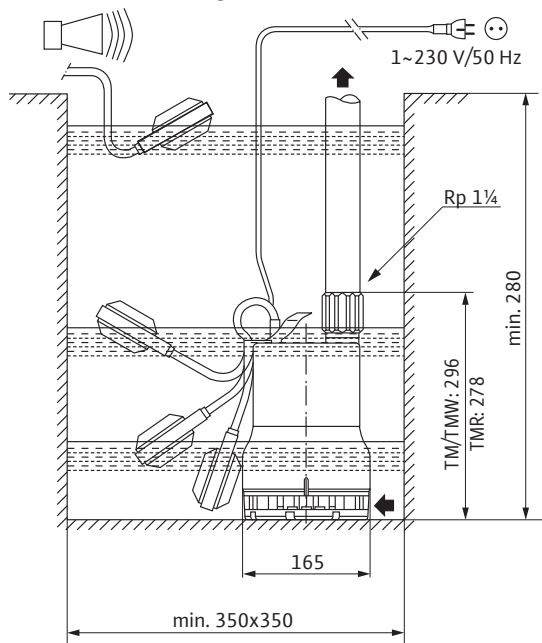
Data sheet: Wilo-Drain TMW 32/8

Pump curves Wilo-Drain TM/TMR/TMW 32 - 50 Hz - 2900



Pump curves in accordance with ISO 9906, Appendix A.

Dimension drawing Wilo-Drain TM/TMW/TMR 32/8



Unit		
Max. delivery head	H_{max}	7 m
Max. volume flow	Q_{max}	10 m ³ /h
Pressure connection		G 1 1/4
Maximum operating pressure	p_{max}	2 bar
Free ball passage		10 mm
Operating mode (immersed)		S1, S3-25%
Operating mode (non-immersed)		S1, S3-25%
Max. immersion depth		3 m
Protection class		IP 68
Fluid temperature	T	+3 ... +35 °C
Max. fluid temperature, for short periods up to 3 min	T	90 °C
Weight approx.	m	4.70 kg

Motor data		
Mains connection		1~230 V, 50 Hz
Nominal current	I_N	2.10 A
Nominal motor power	P_2	0.37 kW
Power consumption	P_1	0.45 kW
Activation type		Direct
Nominal speed	n	2900 rpm
No. of poles		2
Insulation class		F
Max. switching frequency		50 1/h

Cable	
Length of connecting cable	3 m
Cable type	H07RN-F
Cable cross-section	3G1 mm ²
Type of connecting cable	Non-detachable
Mains plug	Shock-proof

Equipment/function	
Float switch	•
Motor protection	WSK

Materials	
Static seal	NBR
Impeller	PP-GF30
Sealing on motor side	NBR
Mechanical seal	Carbon/ceramic

Data sheet: Wilo-Drain TMW 32/8

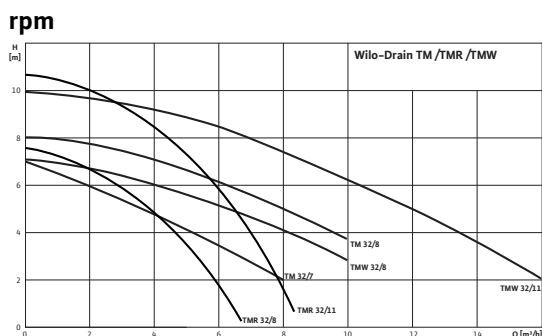
Motor housing	1.4301
Pump housing	PP-GF30

Information for order placements

Make	Wilo
Art no.	4048413
EAN number	4016322477426
Ready for delivery	Stock
Price group	W6

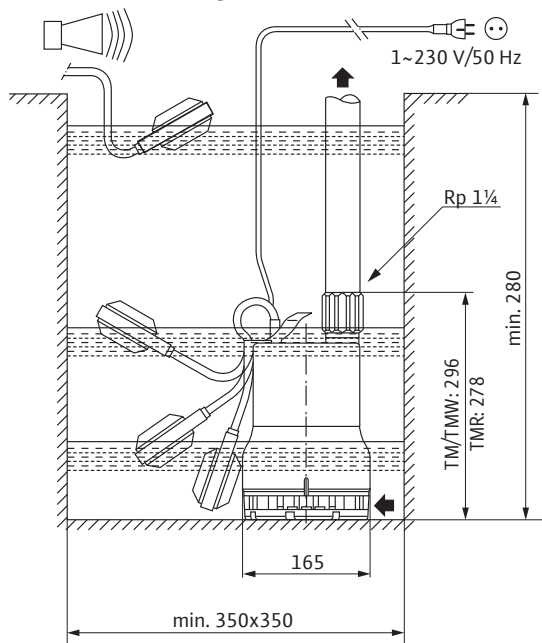
Data sheet: Wilo-Drain TM 32/8-10M

Pump curves Wilo-Drain TM/TMR/TMW 32 - 50 Hz - 2900



Pump curves in accordance with ISO 9906, Appendix A.

Dimension drawing Wilo-Drain TM/TMW/TMR 32/8



Unit

Max. delivery head	H_{max}	7 m
Max. volume flow	Q_{max}	10 m³/h
Pressure connection		G 1¼
Free ball passage		10 mm
Operating mode (immersed)		S1, S3-25%
Operating mode (non-immersed)		S1, S3-25%
Max. immersion depth		3 m
Protection class		IP 68
Fluid temperature	T	+3 ... +35 °C
Max. fluid temperature, for short periods up to 3 min	T	90 °C
Weight approx.	m	5.20 kg

Motor data

Mains connection		1~230 V, 50 Hz
Nominal current	I_N	2.10 A
Nominal motor power	P_2	0.37 kW
Power consumption	P_1	0.45 kW
Activation type		Direct
Nominal speed	n	2900 rpm
Insulation class		F
Max. switching frequency		50 1/h

Cable

Length of connecting cable		10 m
Cable type		H07RN-F
Cable cross-section		3G1 mm²
Type of connecting cable		Non-detachable
Mains plug		Shock-proof

Equipment/function

Float switch		-
Motor protection		WSK

Materials

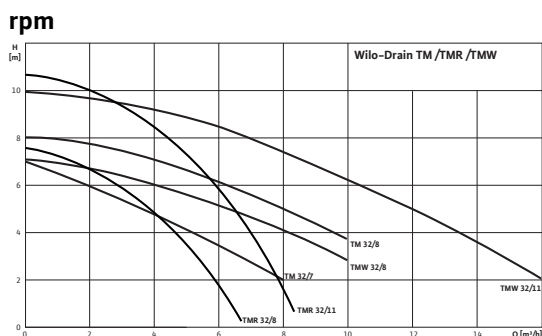
Static seal		NBR
Impeller		PP-GF30
Sealing on motor side		NBR
Mechanical seal		Carbon/ceramic
Motor housing		1.4301
Pump housing		PP-GF30

Data sheet: Wilo-Drain TM 32/8-10M**Information for order placements**

Make	Wilo
Art no.	4048411
EAN number	4016322477402
Ready for delivery	Stock
Price group	W6

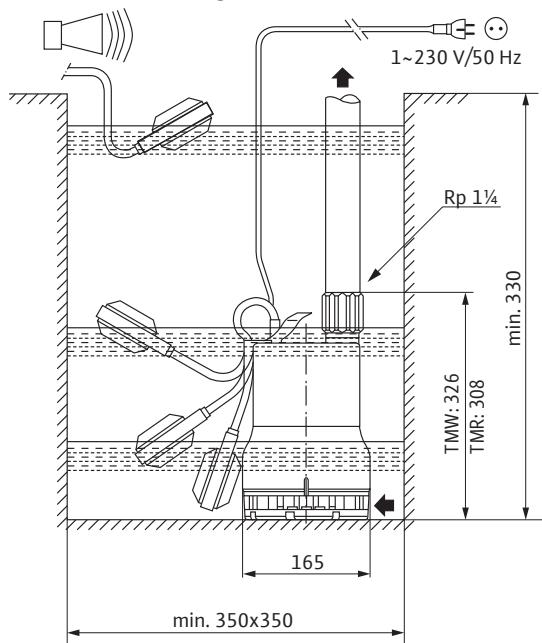
Data sheet: Wilo-Drain TMW 32/11

Pump curves Wilo-Drain TM/TMR/TMW 32 - 50 Hz - 2900



Pump curves in accordance with ISO 9906, Appendix A.

Dimension drawing Wilo-Drain TM/TMW/TMR 32/11



Unit		
Max. delivery head	H_{max}	10 m
Max. volume flow	Q_{max}	16 m ³ /h
Pressure connection		G 1 1/4
Maximum operating pressure	p_{max}	2 bar
Free ball passage		10 mm
Operating mode (immersed)		S1, S3-25%
Operating mode (non-immersed)		S1, S3-25%
Max. immersion depth		3 m
Protection class		IP 68
Fluid temperature	T	+3 ... +35 °C
Max. fluid temperature, for short periods up to 3 min	T	90 °C
Weight approx.	m	6.10 kg

Motor data		
Mains connection		1~230 V, 50 Hz
Nominal current	I_N	3.60 A
Nominal motor power	P_2	0.55 kW
Power consumption	P_1	0.75 kW
Activation type		Direct
Nominal speed	n	2900 rpm
No. of poles		2
Insulation class		F
Max. switching frequency		50 1/h

Cable	
Length of connecting cable	3 m
Cable type	H07RN-F
Cable cross-section	3G1 mm ²
Type of connecting cable	Non-detachable
Mains plug	Shock-proof

Equipment/function	
Float switch	•
Motor protection	WSK

Materials	
Static seal	NBR
Impeller	PP-GF30
Sealing on motor side	NBR
Mechanical seal	Carbon/ceramic

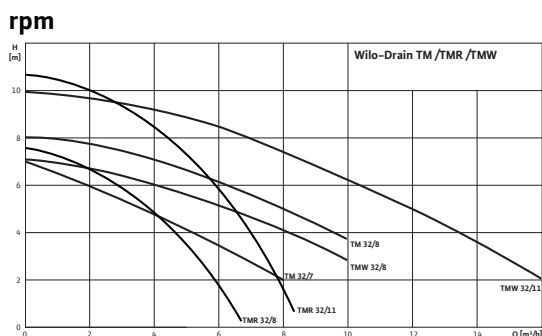
Data sheet: Wilo-Drain TMW 32/11

Motor housing	1.4301
Pump housing	PP-GF30

Information for order placements	
Make	Wilo
Art no.	4048414
EAN number	4016322477433
Ready for delivery	Stock
Price group	W6

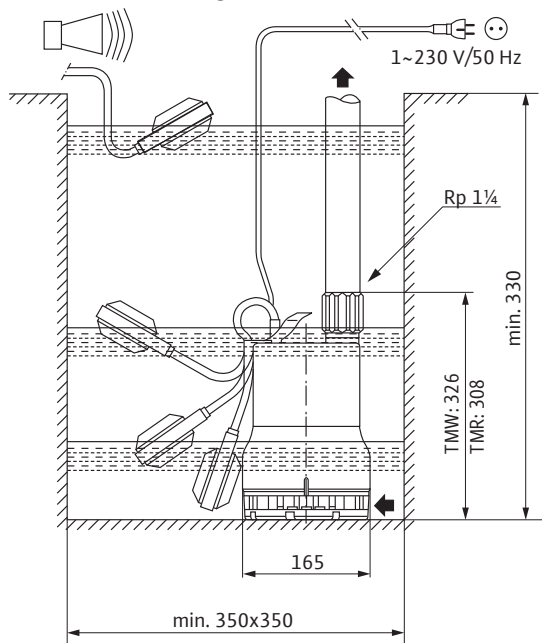
Data sheet: Wilo-Drain TMW 32/11HD

Pump curves Wilo-Drain TM/TMR/TMW 32 - 50 Hz - 2900



Pump curves in accordance with ISO 9906, Appendix A.

Dimension drawing Wilo-Drain TM/TMW/TMR 32/11



Unit		
Max. delivery head	H_{max}	10 m
Max. volume flow	Q_{max}	16 m³/h
Pressure connection		G 1¼
Maximum operating pressure	p_{max}	2 bar
Free ball passage		10 mm
Operating mode (immersed)		S1, S3-25%
Operating mode (non-immersed)		S1, S3-25%
Max. immersion depth		3 m
Protection class		IP 68
Fluid temperature	T	+3 ... +35 °C
Max. fluid temperature, for short periods up to 3 min	T	90 °C
Weight approx.	m	6.70 kg

Motor data		
Mains connection		1~230 V, 50 Hz
Nominal current	I_N	3.60 A
Nominal motor power	P_2	0.55 kW
Power consumption	P_1	0.75 kW
Activation type		Direct
Nominal speed	n	2900 rpm
No. of poles		2
Insulation class		F
Max. switching frequency		50 1/h

Cable	
Length of connecting cable	10 m
Cable type	H07RN-F
Cable cross-section	3G1 mm²
Type of connecting cable	Non-detachable
Mains plug	Shock-proof

Equipment/function	
Float switch	•
Motor protection	WSK

Materials	
Static seal	NBR
Impeller	PP-GF30
Sealing on motor side	NBR
Mechanical seal	Carbon/ceramic

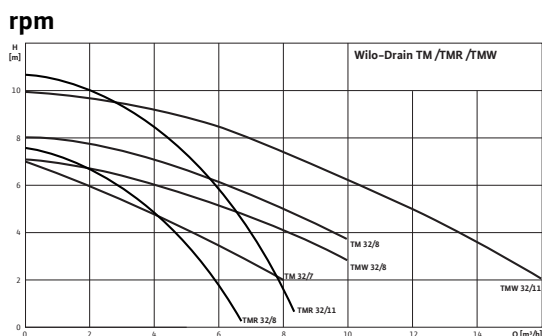
Data sheet: Wilo-Drain TMW 32/11HD

Motor housing	1.4404
Pump housing	PP-GF30

Information for order placements	
Make	Wilo
Art no.	4048715
EAN number	4016322499541
Ready for delivery	Stock
Price group	W6

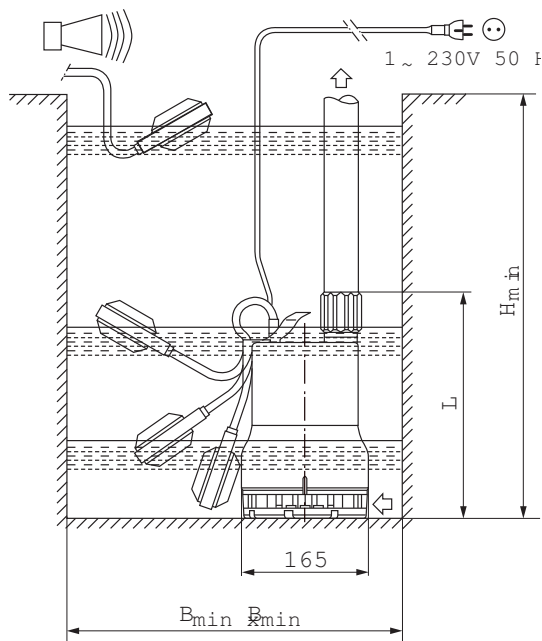
Data sheet: Wilo-Drain TM 32/7

Pump curves Wilo-Drain TM/TMR/TMW 32 - 50 Hz - 2900 rpm



Pump curves in accordance with ISO 9906, Appendix A.

Dimension drawing



Unit		
Max. delivery head	H_{max}	7 m
Max. volume flow	Q_{max}	7 m³/h
Pressure connection		G 1¼
Maximum operating pressure	p_{max}	2 bar
Free ball passage		10 mm
Operating mode (immersed)		S1, S3-25%
Operating mode (non-immersed)		S1, S3-25%
Max. immersion depth		3 m
Protection class		IP 68
Fluid temperature	T	+3 ... +35 °C
Max. fluid temperature, for short periods up to 3 min	T	90 °C
Weight approx.	m	3.60 kg

Motor data		
Mains connection		1~230 V, 50 Hz
Nominal current	I_N	1.40 A
Nominal motor power	P_2	0.25 kW
Power consumption	P_1	0.32 kW
Activation type		Direct
Nominal speed	n	2900 rpm
No. of poles		2
Insulation class		F
Max. switching frequency		50 1/h

Cable	
Length of connecting cable	3 m
Cable type	H07RN-F
Cable cross-section	3G1 mm²
Type of connecting cable	Non-detachable
Mains plug	Shock-proof

Equipment/function	
Float switch	•
Motor protection	WSK

Materials	
Static seal	NBR
Impeller	PP-GF30
Sealing on motor side	NBR
Mechanical seal	Carbon/ceramic

Data sheet: Wilo-Drain TM 32/7

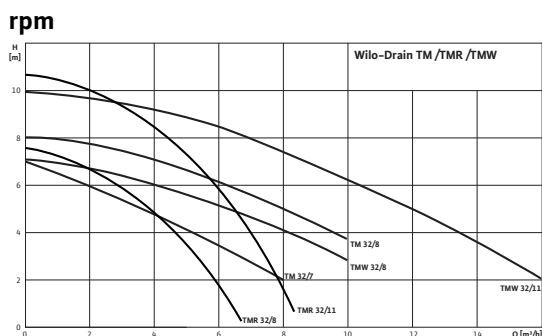
Motor housing	1.4301
Pump housing	PP-GF30

Information for order placements

Make	Wilo
Art no.	4048412
EAN number	4016322477419
Ready for delivery	Stock
Price group	W6

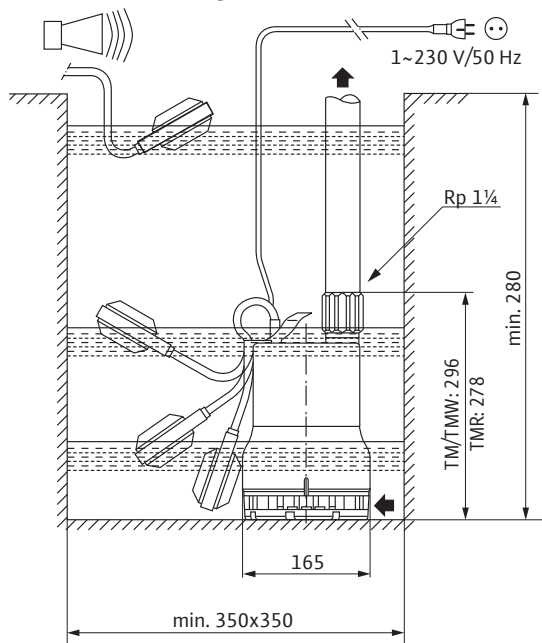
Data sheet: Wilo-Drain TMW 32/8-10M

Pump curves Wilo-Drain TM/TMR/TMW 32 - 50 Hz - 2900



Pump curves in accordance with ISO 9906, Appendix A.

Dimension drawing Wilo-Drain TM/TMW/TMR 32/8



Unit		
Max. delivery head	H_{max}	7 m
Max. volume flow	Q_{max}	10 m ³ /h
Pressure connection		G 1 1/4
Maximum operating pressure	p_{max}	2 bar
Free ball passage		10 mm
Operating mode (immersed)		S1, S3-25%
Operating mode (non-immersed)		S1, S3-25%
Max. immersion depth		3 m
Protection class		IP 68
Fluid temperature	T	+3 ... +35 °C
Max. fluid temperature, for short periods up to 3 min	T	90 °C
Weight approx.	m	5.20 kg

Motor data		
Mains connection		1~230 V, 50 Hz
Nominal current	I_N	2.10 A
Nominal motor power	P_2	0.37 kW
Power consumption	P_1	0.45 kW
Activation type		Direct
Nominal speed	n	2900 rpm
No. of poles		2
Insulation class		F
Max. switching frequency		50 1/h

Cable	
Length of connecting cable	10 m
Cable type	H07RN-F
Cable cross-section	3G1 mm ²
Type of connecting cable	Non-detachable
Mains plug	Shock-proof

Equipment/function	
Float switch	•
Motor protection	WSK

Materials	
Static seal	NBR
Impeller	PP-GF30
Sealing on motor side	NBR
Mechanical seal	Carbon/ceramic

Data sheet: Wilo-Drain TMW 32/8-10M

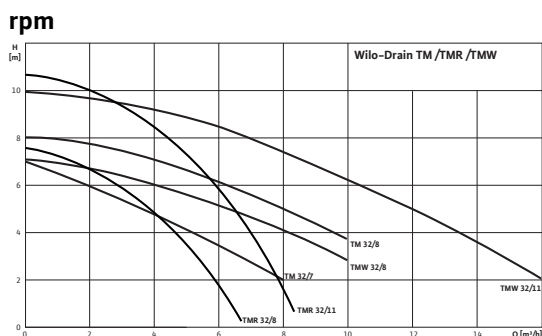
Motor housing	1.4301
Pump housing	PP-GF30

Information for order placements

Make	Wilo
Art no.	4058059
EAN number	4016322536468
Ready for delivery	Stock
Price group	W6

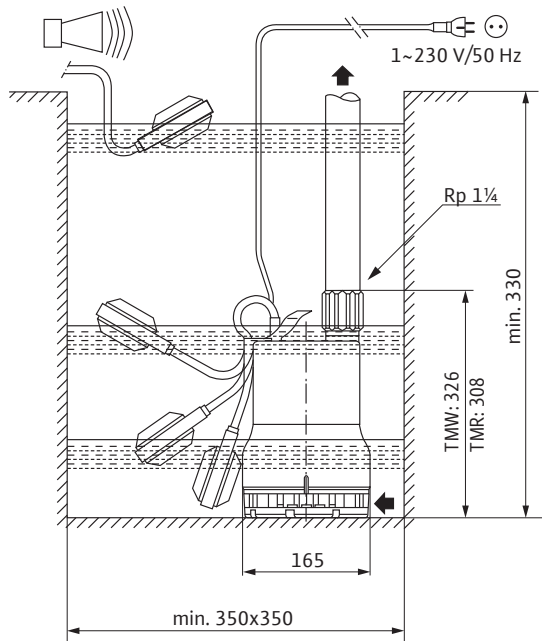
Data sheet: Wilo-Drain TMW 32/11-10M

Pump curves Wilo-Drain TM/TMR/TMW 32 - 50 Hz - 2900



Pump curves in accordance with ISO 9906, Appendix A.

Dimension drawing Wilo-Drain TM/TMW/TMR 32/11



Unit		
Max. delivery head	H_{max}	10 m
Max. volume flow	Q_{max}	16 m ³ /h
Pressure connection		G 1 1/4
Maximum operating pressure	p_{max}	2 bar
Free ball passage		10 mm
Operating mode (immersed)		S1, S3-25%
Operating mode (non-immersed)		S1, S3-25%
Max. immersion depth		3 m
Protection class		IP 68
Fluid temperature	T	+3 ... +35 °C
Max. fluid temperature, for short periods up to 3 min	T	90 °C
Weight approx.	m	6.90 kg

Motor data		
Mains connection		1~230 V, 50 Hz
Nominal current	I_N	3.60 A
Nominal motor power	P_2	0.55 kW
Power consumption	P_1	0.75 kW
Activation type		Direct
Nominal speed	n	2900 rpm
No. of poles		2
Insulation class		F
Max. switching frequency		50 1/h

Cable	
Length of connecting cable	10 m
Cable type	H07RN-F
Cable cross-section	3G1 mm ²
Type of connecting cable	Non-detachable
Mains plug	Shock-proof

Equipment/function	
Float switch	•
Motor protection	WSK

Materials	
Static seal	NBR
Impeller	PP-GF30
Sealing on motor side	NBR
Mechanical seal	Carbon/ceramic

Data sheet: Wilo-Drain TMW 32/11-10M

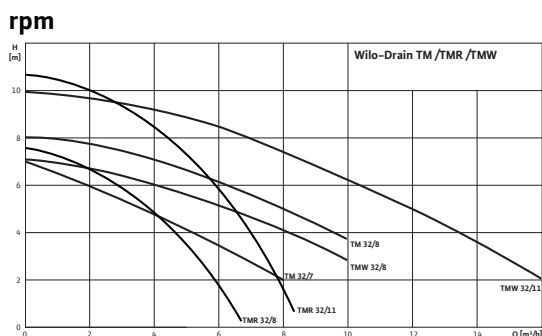
Motor housing	1.4301
Pump housing	PP-GF30

Information for order placements

Make	Wilo
Art no.	4058060
EAN number	4016322536475
Ready for delivery	Stock
Price group	W6

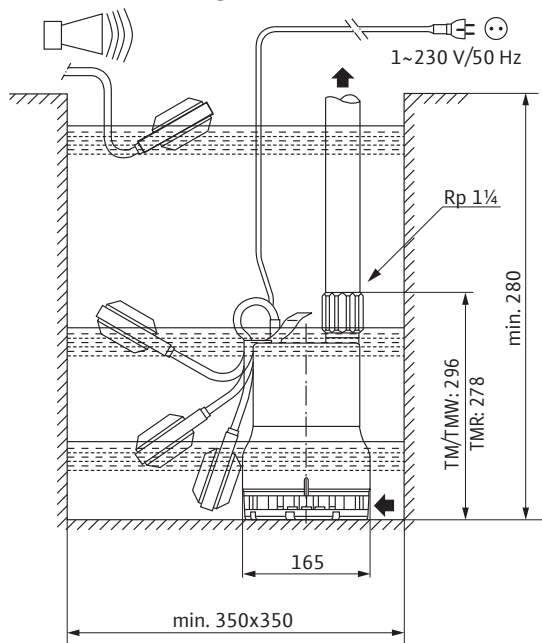
Data sheet: Wilo-Drain TMR 32/8

Pump curves Wilo-Drain TM/TMR/TMW 32 - 50 Hz - 2900



Pump curves in accordance with ISO 9906, Appendix A.

Dimension drawing Wilo-Drain TM/TMW/TMR 32/8



Unit		
Max. delivery head	H_{max}	7 m
Max. volume flow	Q_{max}	8 m³/h
Pressure connection		G 1 1/4
Maximum operating pressure	p_{max}	2 bar
Free ball passage		2 mm
Operating mode (immersed)		S1, S3-25%
Operating mode (non-immersed)		S1, S3-25%
Max. immersion depth		3 m
Protection class		IP 68
Fluid temperature	T	+3 ... +35 °C
Max. fluid temperature, for short periods up to 3 min	T	90 °C
Weight approx.	m	4.90 kg

Motor data		
Mains connection		1~230 V, 50 Hz
Nominal current	I_N	2.10 A
Nominal motor power	P_2	0.37 kW
Power consumption	P_1	0.45 kW
Activation type		Direct
Nominal speed	n	2900 rpm
No. of poles		2
Insulation class		F
Max. switching frequency		50 1/h

Cable	
Length of connecting cable	3 m
Cable type	H07RN-F
Cable cross-section	3G1 mm²
Type of connecting cable	Non-detachable
Mains plug	Shock-proof

Equipment/function	
Float switch	•
Motor protection	WSK

Materials	
Static seal	NBR
Impeller	PP-GF30
Sealing on motor side	NBR
Mechanical seal	Carbon/ceramic

Data sheet: Wilo-Drain TMR 32/8

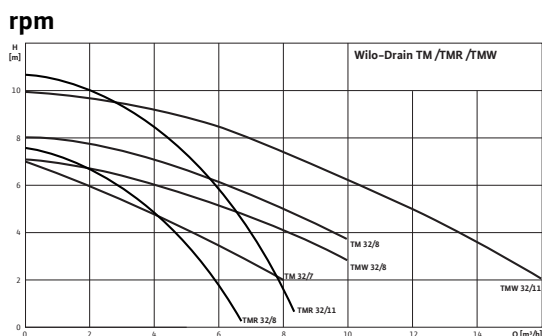
Motor housing	1.4301
Pump housing	PP-GF30

Information for order placements

Make	Wilo
Art no.	4145325
EAN number	4048482104744
Ready for delivery	Stock
Price group	W6

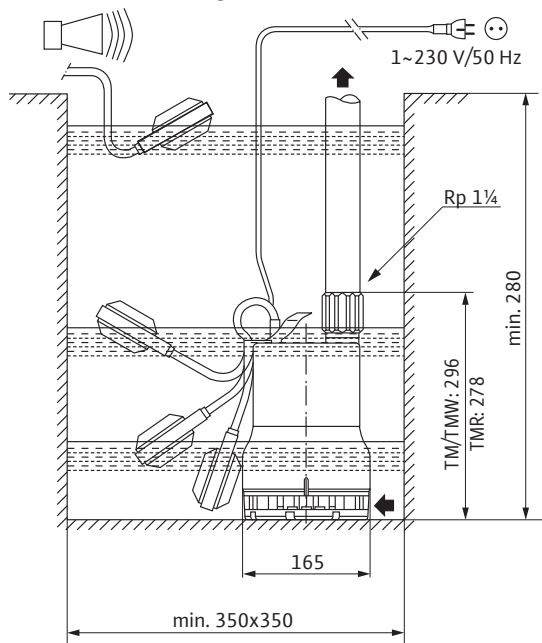
Data sheet: Wilo-Drain TMR 32/8-10M

Pump curves Wilo-Drain TM/TMR/TMW 32 - 50 Hz - 2900



Pump curves in accordance with ISO 9906, Appendix A.

Dimension drawing Wilo-Drain TM/TMW/TMR 32/8



Unit		
Max. delivery head	H_{max}	7 m
Max. volume flow	Q_{max}	8 m ³ /h
Pressure connection		G 1 1/4
Maximum operating pressure	p_{max}	2 bar
Free ball passage		2 mm
Operating mode (immersed)		S1, S3-25%
Operating mode (non-immersed)		S1, S3-25%
Max. immersion depth		3 m
Protection class		IP 68
Fluid temperature	T	+3 ... +35 °C
Max. fluid temperature, for short periods up to 3 min	T	90 °C
Weight approx.	m	5.50 kg

Motor data		
Mains connection		1~230 V, 50 Hz
Nominal current	I_N	2.10 A
Nominal motor power	P_2	0.37 kW
Power consumption	P_1	0.45 kW
Activation type		Direct
Nominal speed	n	2900 rpm
No. of poles		2
Insulation class		F
Max. switching frequency		50 1/h

Cable	
Length of connecting cable	10 m
Cable type	H07RN-F
Cable cross-section	3G1 mm ²
Type of connecting cable	Non-detachable
Mains plug	Shock-proof

Equipment/function	
Float switch	•
Motor protection	WSK

Materials	
Static seal	NBR
Impeller	PP-GF30
Sealing on motor side	NBR
Mechanical seal	Carbon/ceramic

Data sheet: Wilo-Drain TMR 32/8-10M

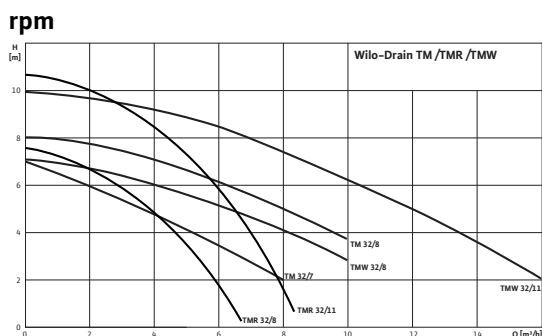
Motor housing	1.4301
Pump housing	PP-GF30

Information for order placements

Make	Wilo
Art no.	4145326
EAN number	4048482104751
Ready for delivery	Stock
Price group	W6

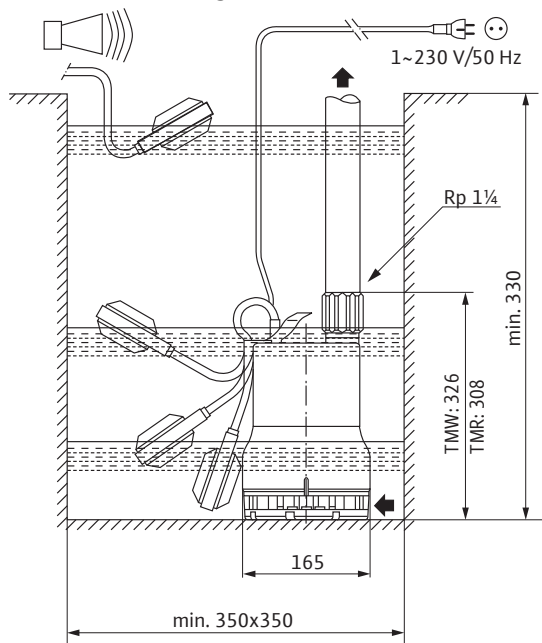
Data sheet: Wilo-Drain TMR 32/11

Pump curves Wilo-Drain TM/TMR/TMW 32 - 50 Hz - 2900



Pump curves in accordance with ISO 9906, Appendix A.

Dimension drawing Wilo-Drain TM/TMW/TMR 32/11



Unit		
Max. delivery head	H_{max}	10 m
Max. volume flow	Q_{max}	11 m ³ /h
Pressure connection		G 1 1/4
Maximum operating pressure	p_{max}	2 bar
Free ball passage		2 mm
Operating mode (immersed)		S1, S3-25%
Operating mode (non-immersed)		S1, S3-25%
Max. immersion depth		3 m
Protection class		IP 68
Fluid temperature	T	+3 ... +35 °C
Max. fluid temperature, for short periods up to 3 min	T	90 °C
Weight approx.	m	6.20 kg

Motor data		
Mains connection		1~230 V, 50 Hz
Nominal current	I_N	3.60 A
Nominal motor power	P_2	0.55 kW
Power consumption	P_1	0.75 kW
Activation type		Direct
Nominal speed	n	2900 rpm
No. of poles		2
Insulation class		F
Max. switching frequency		50 1/h

Cable	
Length of connecting cable	3 m
Cable type	H07RN-F
Cable cross-section	3G1 mm ²
Type of connecting cable	Non-detachable
Mains plug	Shock-proof

Equipment/function	
Float switch	•
Motor protection	WSK

Materials	
Static seal	NBR
Impeller	PP-GF30
Sealing on motor side	NBR
Mechanical seal	Carbon/ceramic

Data sheet: Wilo-Drain TMR 32/11

Motor housing	1.4301
Pump housing	PP-GF30

Information for order placements

Make	Wilo
Art no.	4145327
EAN number	4048482104768
Ready for delivery	Stock
Price group	W6