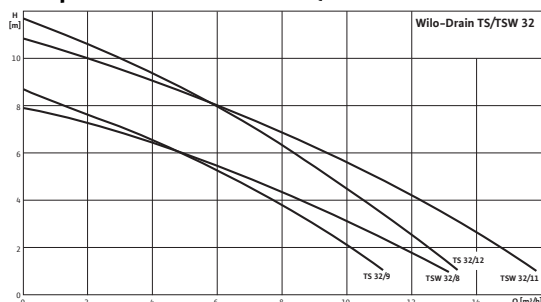


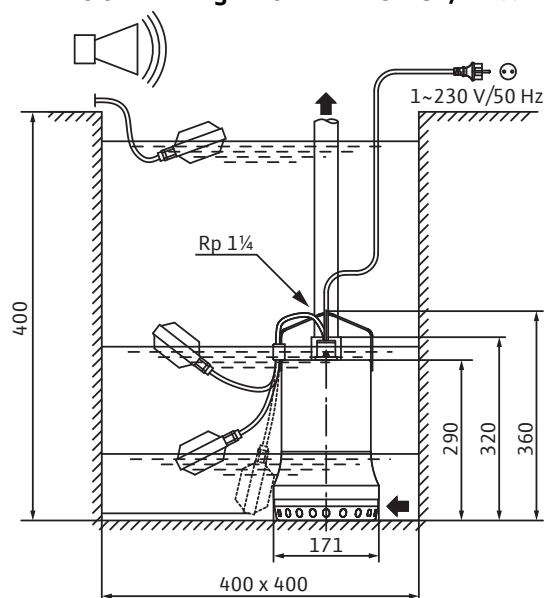
Data sheet: Wilo-Drain TSW 32/11-A

Pump curves Wilo-Drain TS/TSW 32 - 50 Hz - 2900 rpm



Pump curves in accordance with ISO 9906, Appendix A.

Dimension drawing Wilo-Drain TSW 32/11-A



Unit

Max. delivery head	H_{max}	11 m
Max. volume flow	Q_{max}	16 m ³ /h
Pressure connection		Rp 1/4
Maximum operating pressure	p_{max}	2 bar
Free ball passage		10 mm
Operating mode (immersed)		S1, S3-25%
Operating mode (non-immersed)		S1, S3-25%
Max. immersion depth		10 m
Protection class		IP 68
Fluid temperature	T	+3 ... +35 °C
Max. fluid temperature, for short periods up to 3 min	T	90 °C
Weight approx.	m	8 kg

Motor data

Mains connection		1~230 V, 50 Hz
Rated current	I_N	3.6 A
Nominal motor power	P_2	0.6 kW
Power consumption	P_1	0.9 kW
Activation type		Direct
Nominal speed	n	2900 rpm
No. of poles		2
Insulation class		B
Max. switching frequency		50 1/h

Cable

Length of connecting cable		10 m
Cable type		H07RN-F
Cable cross-section		3G1 mm ²
Type of connecting cable		Detachable
Mains plug		Shock-proof

Equipment/function

Float switch		•
Motor protection		WSK

Materials

Static seal		NBR
Impeller		PLC
Sealing on motor side		NBR
Mechanical seal		Carbon/ceramic

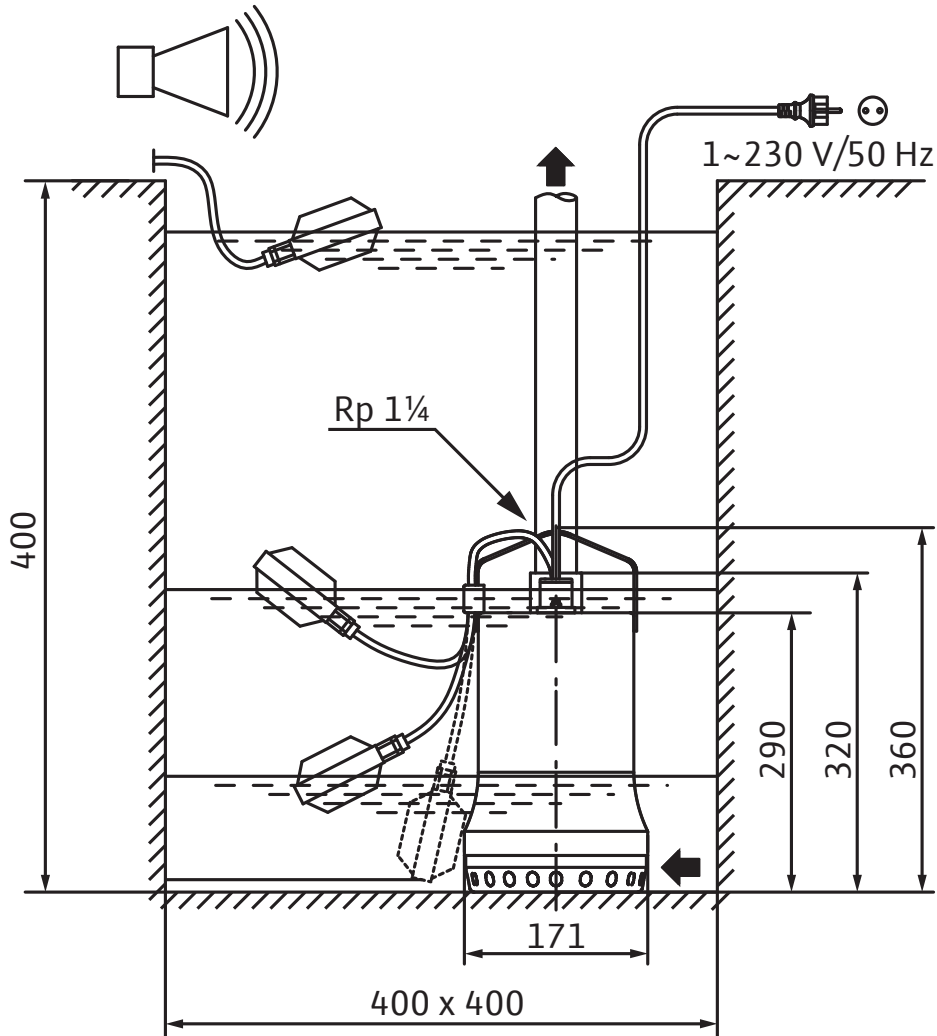
Data sheet: Wilo-Drain TSW 32/11-A

Motor housing	1.4301
Pump housing	1.4301 [AISI304]
Information for order placements	
Make	Wilo
Art no.	6045166
EAN number	4044966474143
Price group	PG7

Dimensions and dimension drawings: Wilo-Drain TSW 32/11-A

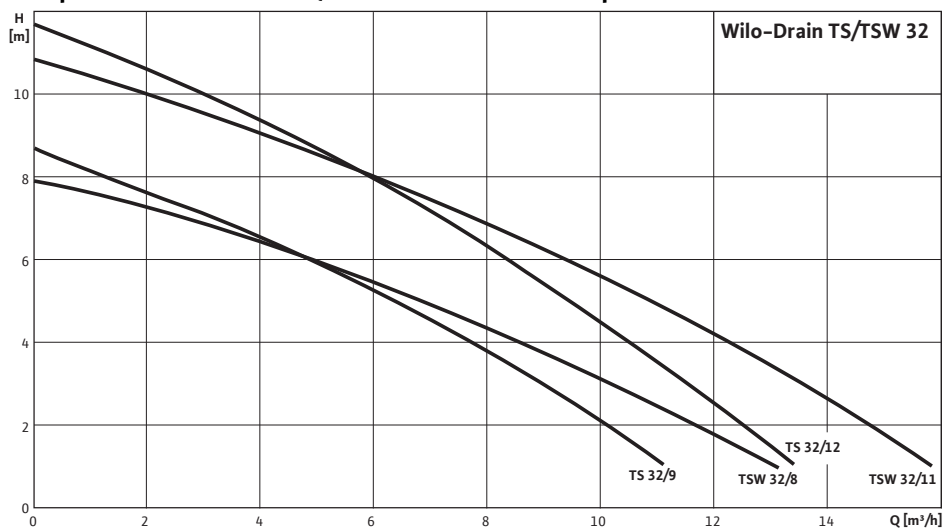
Dimension drawing

Wilo-Drain TSW 32/11-A



Pump curves: Wilo-Drain TSW 32/11-A

Pump curves Wilo-Drain TS/TSW 32 - 50 Hz - 2900 rpm



Pump curves in accordance with ISO 9906, Appendix A.

Ordering information: Wilo-Drain TSW 32/11-A

Information for order placements

Pump type	TSW 32/11-A	
Art no.	6045166	
EAN number	4044966474143	
Colour	Silver	
Minimum order quantity	1	
Minimum order quantity unit	PCE	
Weight (net)	<i>kg</i>	7.8
Length (net)	<i>mm</i>	171
Width (net)	<i>mm</i>	171
Height (net)	<i>mm</i>	360
Weight (gross)	<i>kg</i>	8.7
Length (gross)	<i>mm</i>	240
Width (gross)	<i>mm</i>	210
Height (gross)	<i>mm</i>	460
Packaging type	Cardboard box	

Specification texts: Wilo-Drain TSW 32/11-A

Submersible motor pump as monobloc unit with jacket-cooled, submersible motor, turbulator and built-in thermal overload protection. Carrying handle and electric connection cable with shock-proof plug, attached directly as standard. High operating reliability due to shaft seal consisting of a mechanical seal on the pump side and rotary shaft seal on the motor side, as well as an upstream dirt deflector and oil barrier chamber.

Application

The drainage and submersible wastewater pumps of the Drain-TS series are used:

- to automatically drain pits and shafts,
- to keep courtyards and cellars at risk of flooding dry,
- to reduce the surface water level, provided that wastewater cannot flow into the sewer system via a natural gradient.

The pumps are suitable for slightly soiled water, rainwater, drainage water and washing water. They are usually installed flooded (immersed) and can only be installed vertically, whether fixed or mobile. Due to the sheath current cooling, the pumps can also be operated non-immersed.

Unit

Pressure connection: Rp 1¼

Maximum operating pressure: 2 bar

Free ball passage: 10 mm

Operating mode (immersed): S1, S3-25%

Operating mode (non-immersed): S1, S3-25%

Max. immersion depth: 10 m

Protection class: IP 68

Fluid temperature: +3 ... +35 °C

Max. fluid temperature, for short periods up to 3 min: 90 °C

Weight approx.: 7.8 kg

Motor data

Mains connection: 1~230 V, 50 Hz

Rated current: 3.6 A

Nominal motor power: 0.6 kW

Power consumption: 0.9 kW

Activation type: Direct

Nominal speed: 2900 rpm

No. of poles: 2

Insulation class: B

Max. switching frequency: 50 1/h

Cable

Length of connecting cable: 10 m

Cable type: H07RN-F

Cable cross-section: 3G1 mm²

Type of connecting cable: Detachable

Mains plug: Shock-proof

Materials

Static seal: NBR

Specification texts: Wilo-Drain TSW 32/11-A

Impeller: PLC

Sealing on motor side: NBR

Mechanical seal: Carbon/ceramic

Motor housing: 1.4301

Pump housing: 1.4301 [AISI304]

Information for order placements

Art no.: 6045166

EAN number: 4044966474143

Price group: PG7

Make: Wilo